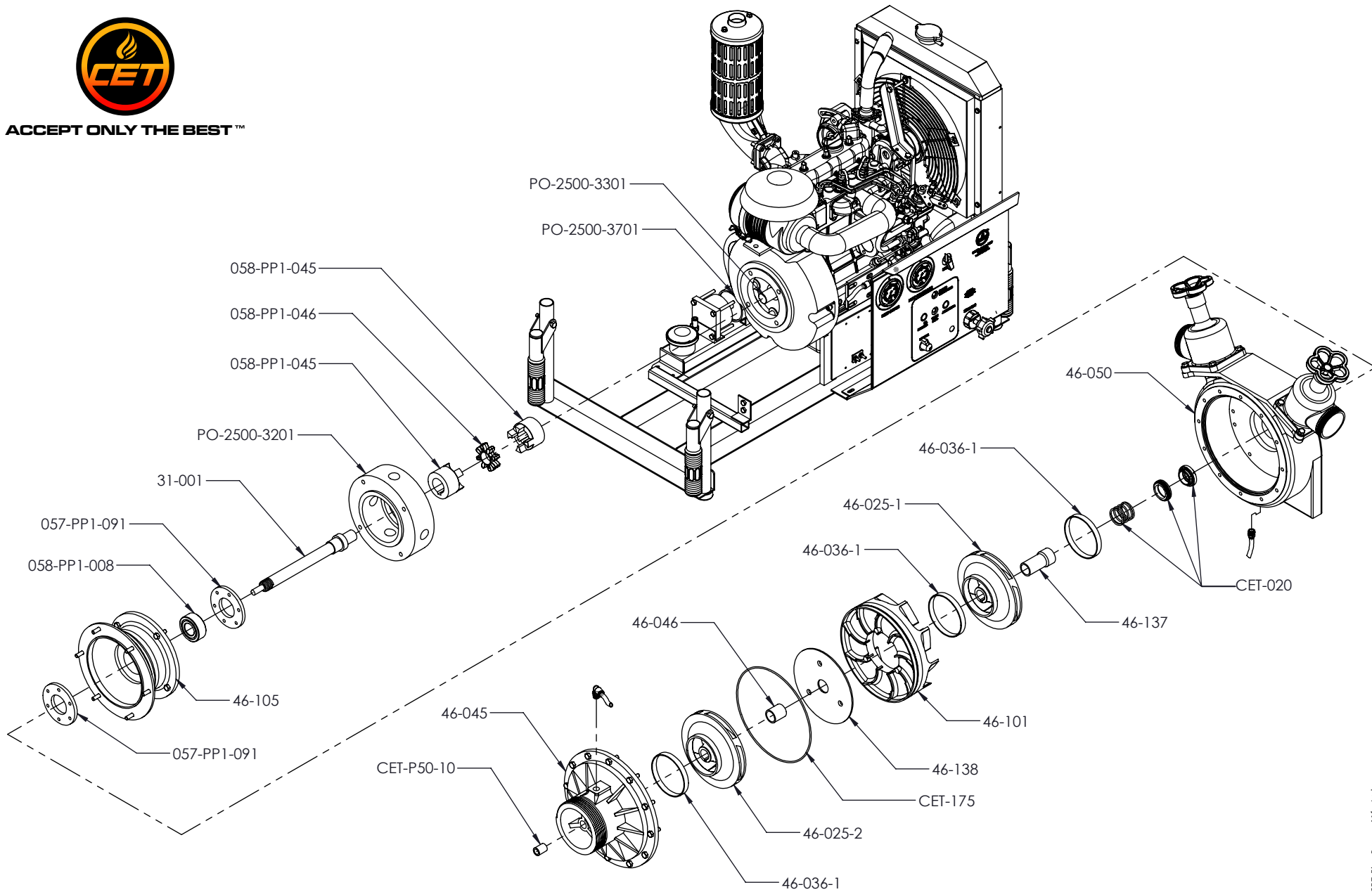




ACCEPT ONLY THE BEST™



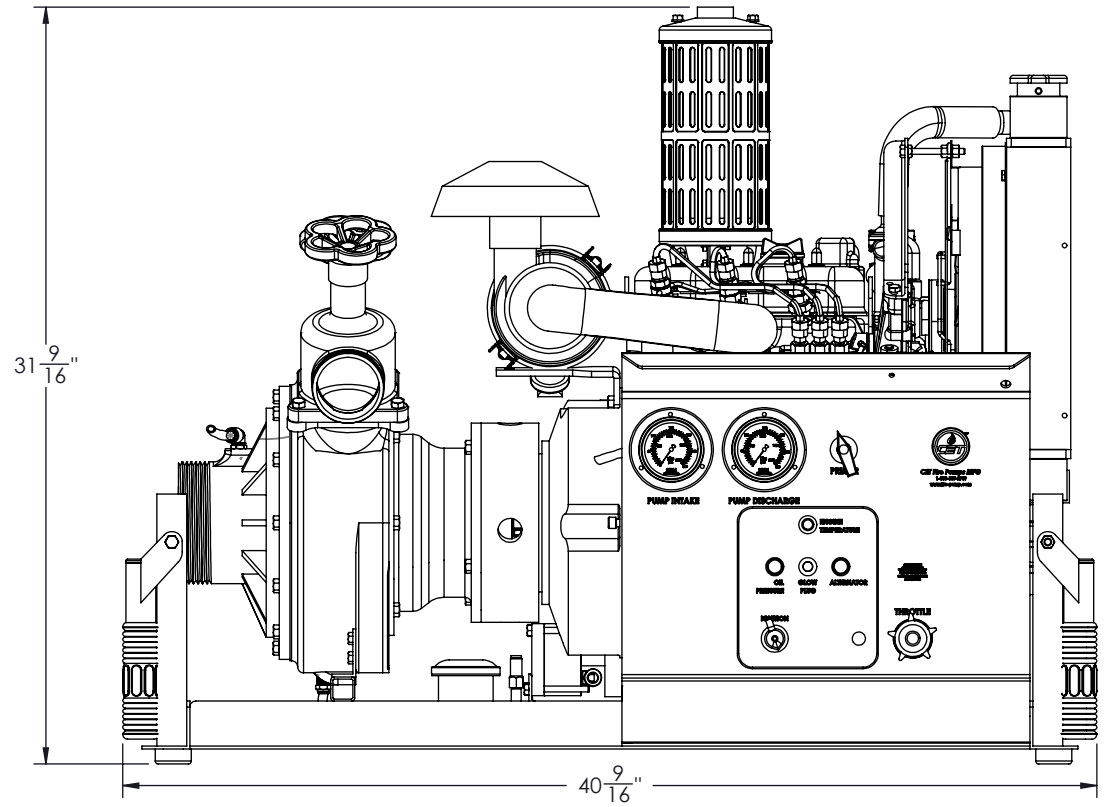
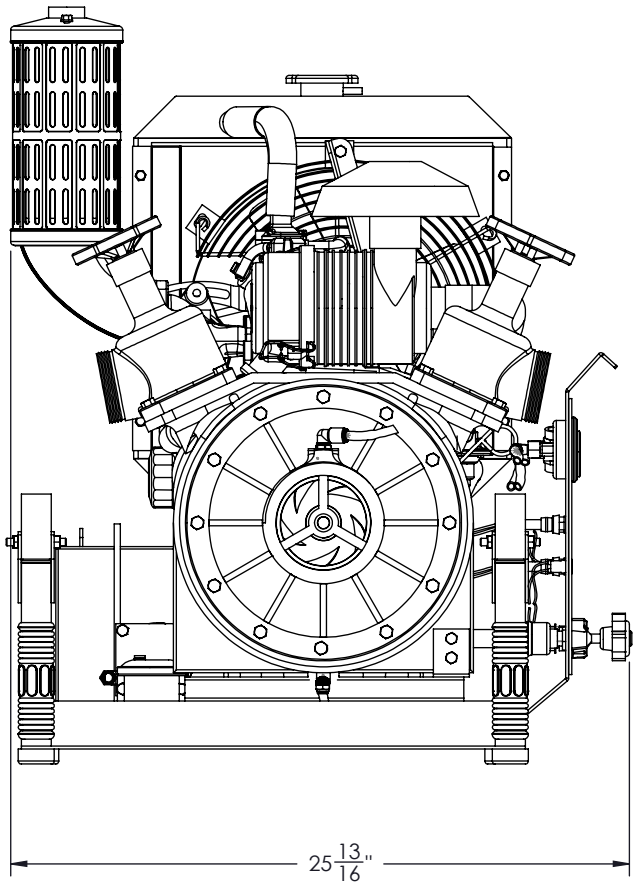
PFP-25hp-DSL Assembly

75 Hector St., P.O. Box 90, Pierreville (Québec) Canada J0G 1J0 | Telephone: 1-800-567-2719 | Fax: 1-800-434-2613 | www.fire-pump.com

A CENTURY OF ENGINEERING FOR THE BRAVEST



ACCEPT ONLY THE BEST™



PFP-25hp-DSL Dimensions