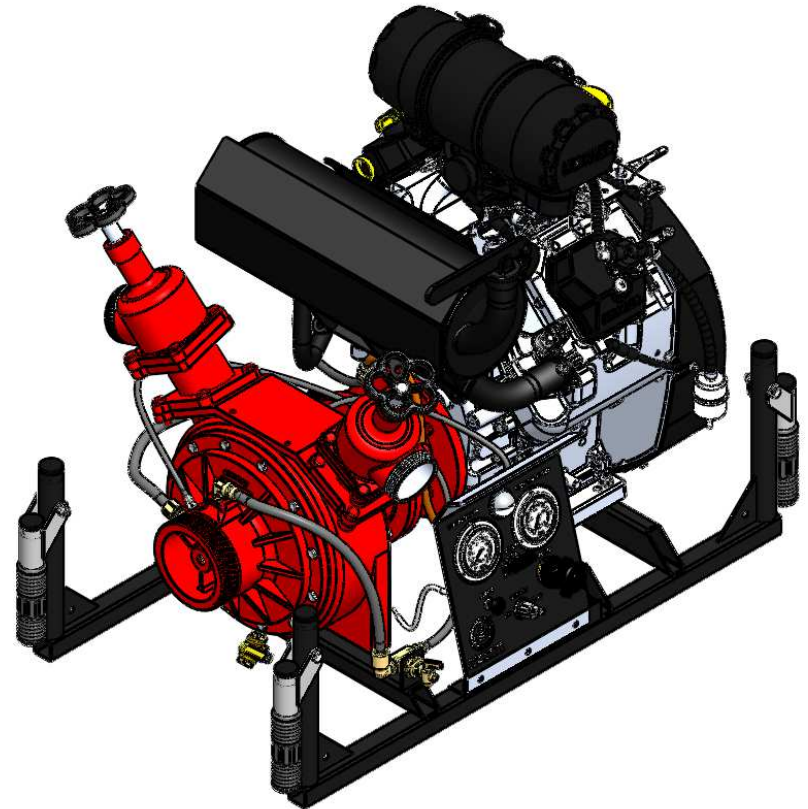
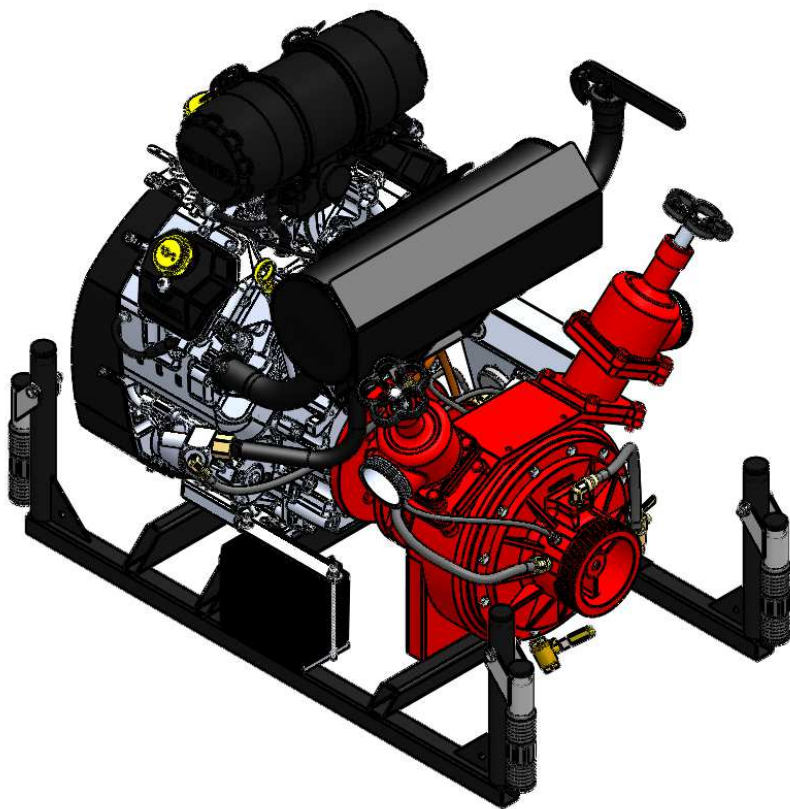
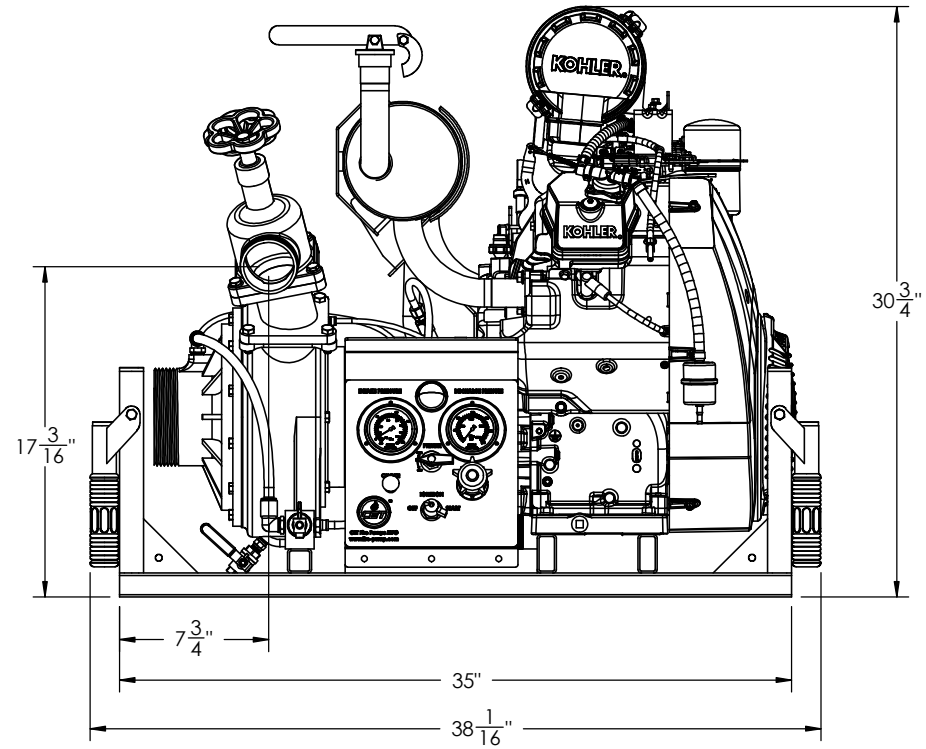
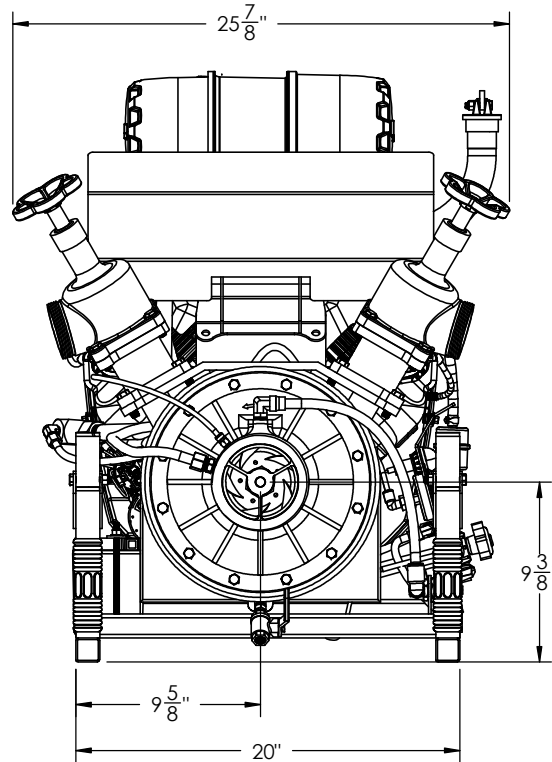


MID-RANGE PORTABLE PUMP
PFP-38hpKHL-2D
CH1000 KOHLER WITH HIGH-RANGE PUMP



WE CAN CUSTOMIZE AS YOU WANT



WEIGHT: 275 lbs



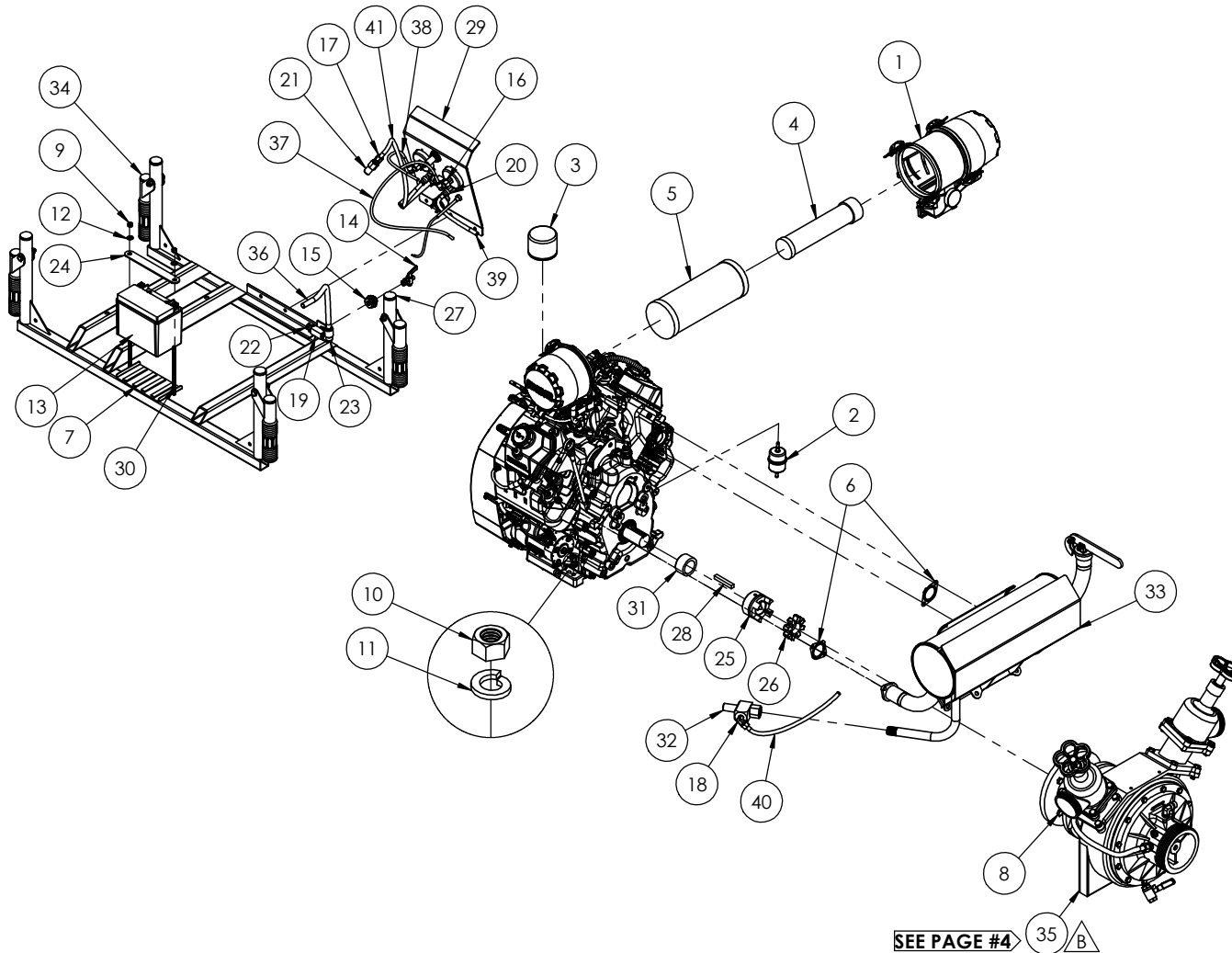
CREATED	TITLE :	PPF-38hpKHL-2S
BY: T.F.		HALF FRAME
DATE: 16-08-18		
VERIFIED	No:	PO-712S-0703-B
BY: M.P.		
DATE: 16-08-18		

WARNING

THIS DOCUMENT REMAINS THE PROPERTY OF C.E.T. FIRE PUMPS MFG.

ALL REPRODUCTION WITHOUT WRITTEN AGREEMENT FROM C.E.T. FIRE PUMPS MFG IS TOTALLY PROHIBITED.

REV.	DESCRIPTION	DATE	BY
B	SOME ADJUSTMENTS	10-04-17	M.P
A	VERSION A	01-01-15	M.P



NO	PART NUMBER	DESCRIPTION	QTY
1	001-PP1-054	KOHLER ENGINE (CH1000), 38hp GAS	1
2	003-PP1-022	FUEL FILTER KOHLER 20, 25 & 27hp	1
3	003-PP1-025	OIL FILTER for 20hp, 25hp, 27hp & 38hp KOHLER	1
4	003-PP1-146	AIR FILTER	1
5	003-PP1-147	AIR FILTER	1
6	003-PP1-148	EXHAUST GASKET	1
7	020-PP1-008	BAITERY FOAM TAPE 1/2" x 3"	4
8	022-PP1-004	HEX. BOLT 3/8"-16 x 1-1/4"	4
9	023-PP1-006	HEX. NYLON LOCKNUT 1/4"-20	2
10	023-PP1-012	HEX. NUT 3/8"-16	4
11	024-PP1-015	LOCK WASHER	4
12	024-PP1-404	FLAT WASHER 1/4" ID x 5/8" OD (SS)	2
13	040-PP1-075	BATTERY 12v	1
14	045-PP1-086	DRAIN VALVE 1/4" NPT-M	1
15	045-PP1-114	TERMINAL BOLT FITTING BRASS 1/4" x 1/4" x 31/32" LG	1
16	045-PP1-119	90 ELBOW 1/4" T x 1/4" NPT-F	2
17	045-PP1-131	COMP. CONNECTOR 3/8" TUBE x 1/4" NPT-M	1
18	045-PP1-132	COMP. 90° ELBOW 3/8" TUBE x 1/4" NPT-M	1
19	045-PP1-143	"T" 1/4" FPT x 1/4" MPT	1
20	045-PP1-306	SWIVEL 90 DEG. DOT 3/8" to 1/4" NPT-M	2
21	045-PP1-312	PIPE CONNECTOR 3/8" TUBE x 1/4" D.O.T.	1
22	045-PP1-356	CONNECTOR DOT 3/8" TUBE to 1/4" NPT-M	1
23	045-PP1-514	90 DOT PIPE 1/2" to PIPE 1/4" MPT SWIVEL	1
24	057-PP1-267A	BATTERY RETAINER PLATE	1
25	058-PP1-044	COUPLING 1-7/16"	1
26	058-PP1-046A	ROTEX 28 - SPIDER	1
27	060-PP1-072	BLACK PLASTIC CAP	4
28	060-PP1-321	SHAFT KEY 3/8-3/8"	1
29	PO-0000-1636	CONTROL PANEL	1
30	PO-0000-1744	HALF FRAME	1
31	PO-0000-2528	BUSHING	1
32	PO-0000-4103	VENTURY	1
33	PO-0000-5716	EXHAUST	1
34	PO-0000-6605	LARGE HANDLE	4
35	PO-712S-0801	PUMP END ACCESSORIES ASSEMBLY	1
36	PO-712S-2802	TUBE 1/2"	1
37	PO-712S-2803	TUBE 1/4"	1
38	PO-712S-2804	TUBE 1/4"	1
39	PO-712S-2805	TUBE 3/8"	1
40	PO-712S-2806	TUBE 3/8"	1
41	PO-712S-2807	TUBE 3/8"	1

SEE PAGE #4



CREATED	TITLE :	PPF-38hpKHL-2S
BY: T.F.		
DATE: 16-08-18		
VERIFIED	No:	PO-712S-0703-B
BY: M.P.		
DATE: 16-08-18		

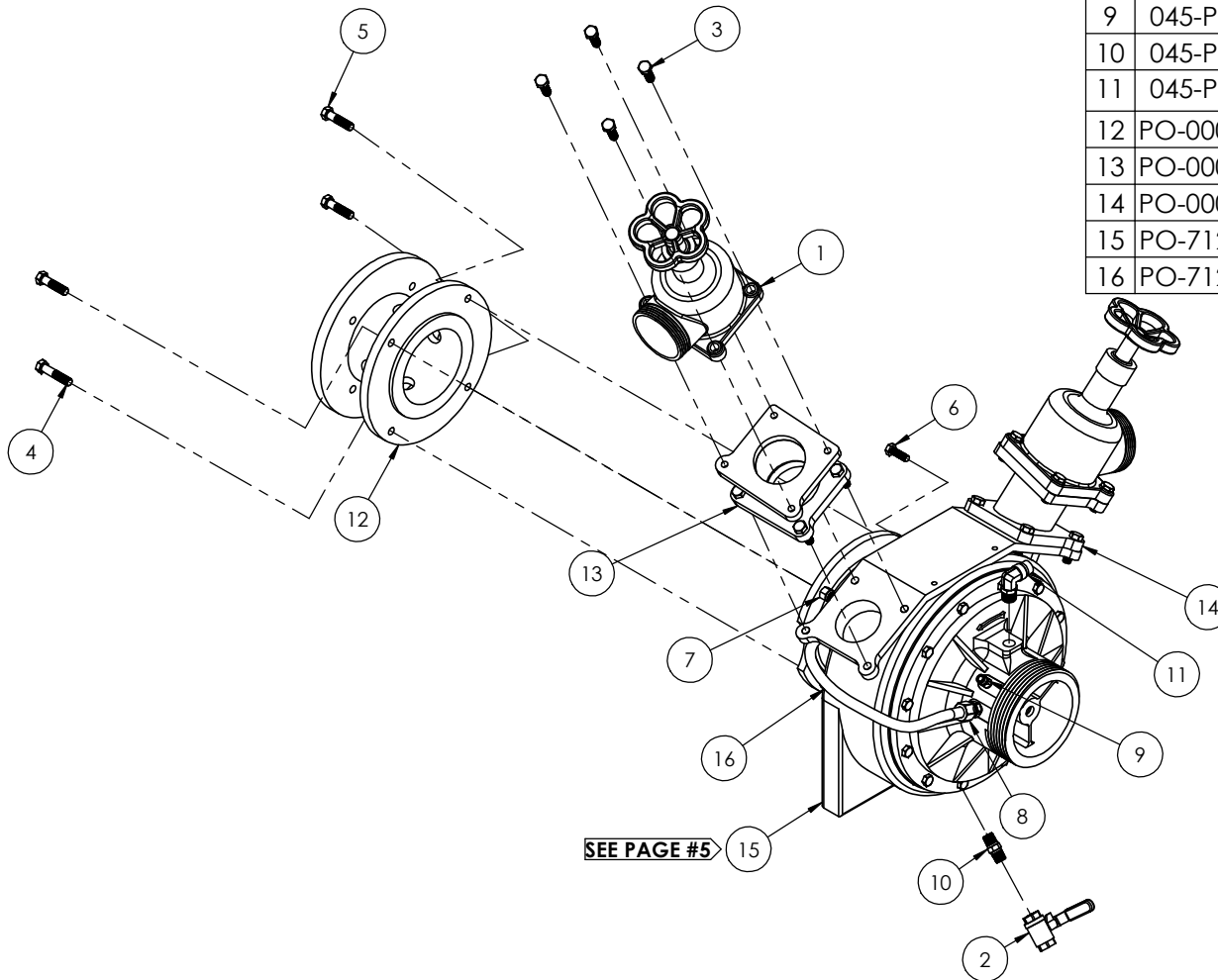
WARNING

THIS DOCUMENT REMAINS THE PROPERTY OF C.E.T. FIRE PUMPS MFG.

ALL REPRODUCTION WITHOUT WRITTEN AGREEMENT FROM C.E.T. FIRE PUMPS MFG IS TOTALLY PROHIBITED.

B	SOME ADJUSTMENTS	10-04-17	M.P
A	VERSION A	01-01-15	M.P
REV.	DESCRIPTION	DATE	BY

NO	PART NUMBER	DESCRIPTION	QTY
1	005-PP1-010	VALVE AWG 2-1/2"	2
2	005-PP1-205	BALL VALVE 1/4" NPT-F	1
3	022-PP1-004	HEX. BOLT 3/8"-16 x 1-1/4"	16
4	022-PP1-010	HEX. BOLT 3/8"-16 x 2" (Gr.5 ZINC)	1
5	022-PP1-032	HEX. BOLT 3/8"-16 x 2" (Gr.5 ZINC)	3
6	022-PP1-403	HEX. BOLT 5/16"-18 x 1" (SS)	6
7	023-PP1-001	HEX. NYLON LOCKNUT 3/8"-16	4
8	045-PP1-129	COMP. CONNECTOR 1/2" TUBE to 1/4" NPT-M	2
9	045-PP1-194	CONNECTOR 1/4" TUBE to 1/8" NPT-M	2
10	045-PP1-238	HEX. NIPPLE 1/4" NPT-M	1
11	045-PP1-350	ELBOW 90 Deg. TUBE 1/2" to 3/8" NPT-M	1
12	PO-0000-3612	ADAPTER	1
13	PO-0000-7703	AWG3105 VALVE ADAPTOR	1
14	PO-0000-7704	AWG3105 VALVE ADAPTOR	1
15	PO-712S-2101	PUMP END 2S	1
16	PO-712S-2801	TUBE-3/8"	1



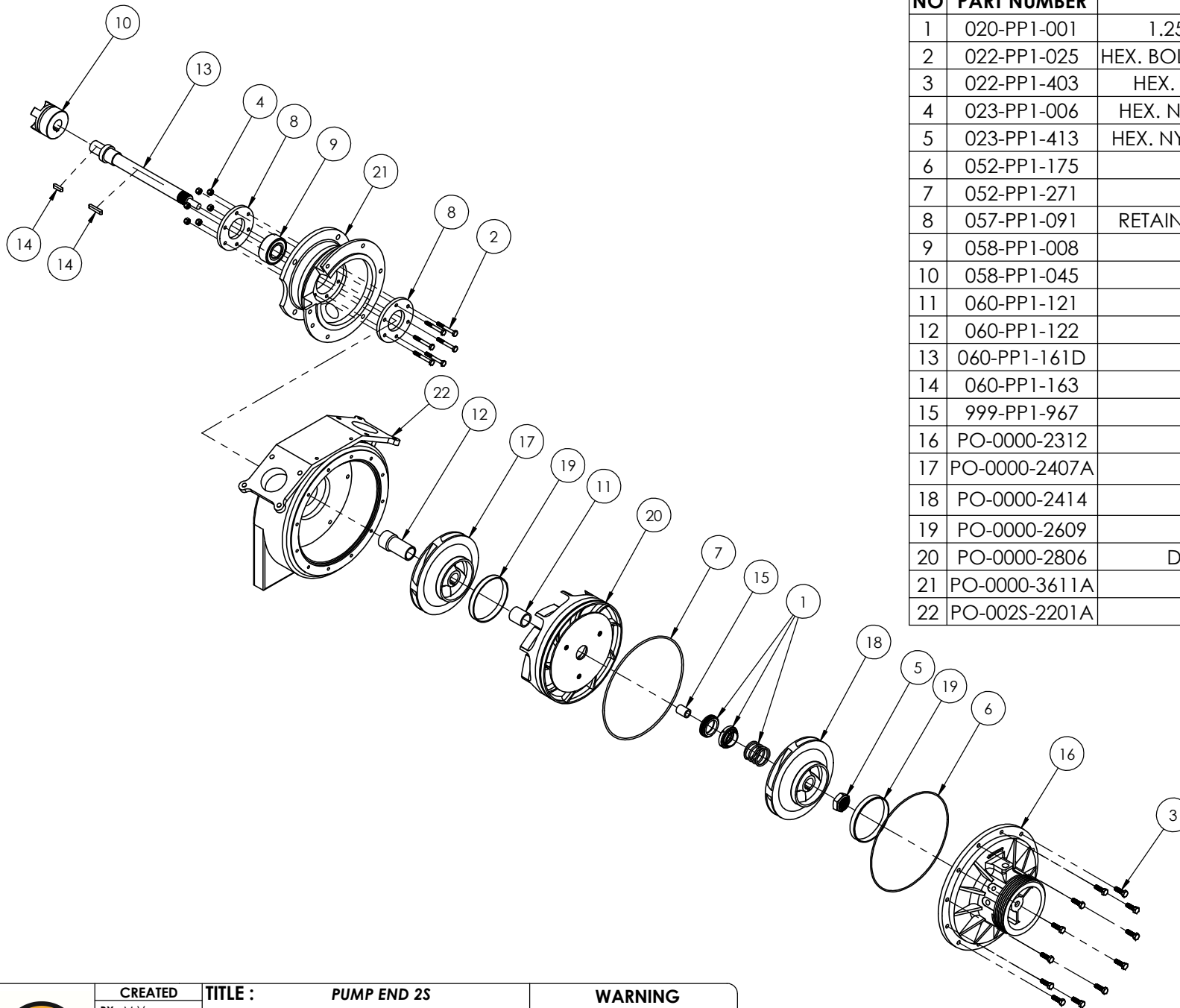
CREATED	TITLE : PUMP END ACCESSORIES ASSEMBLY
BY: T.F. DATE: 21-08-18	KOHLER CH1000 - 2S
VERIFIED	No:
BY: M.P. DATE: 21-08-18	PO-712S-0801

WARNING

THIS DOCUMENT REMAINS THE PROPERTY OF C.E.T. FIRE PUMPS MFG.

ALL REPRODUCTION WITHOUT WRITTEN AGREEMENT FROM C.E.T. FIRE PUMPS MFG IS TOTALLY PROHIBITED.

REV.	DESCRIPTION	DATE	BY
B	SOME ADJUSTMENTS	10-04-17	M.P
A	VERSION A	01-01-15	M.P



NO	PART NUMBER	DESCRIPTION	QTY
1	020-PP1-001	1.25" T-215 BP1C1 SEALS	1
2	022-PP1-025	HEX. BOLT 1/4"-20 x 2" (GR.5 ZINC)	6
3	022-PP1-403	HEX. BOLT 5/16"-18 x 1" (SS)	12
4	023-PP1-006	HEX. NYLON LOCKNUT 1/4"-20	6
5	023-PP1-413	HEX. NYLON LOCK NUT 1"-8 (SS)	1
6	052-PP1-175	O-RING	1
7	052-PP1-271	O'RING 2-268-AB	1
8	057-PP1-091	RETAINING BEARING BRACKET	2
9	058-PP1-008	BEARING	1
10	058-PP1-045	COUPLING 1"	1
11	060-PP1-121	BUSHING	1
12	060-PP1-122	BUSHING	1
13	060-PP1-161D	SHAFT	1
14	060-PP1-163	SHAFT KEY 1/4"	3
15	999-PP1-967	OILITE BUSHING	1
16	PO-0000-2312	COVER	1
17	PO-0000-2407A	Impeller	1
18	PO-0000-2414	Impeller	1
19	PO-0000-2609	WATER RING	2
20	PO-0000-2806	DIFFUSER ASSEMBLY	1
21	PO-0000-3611A	ADAPTER	1
22	PO-002S-2201A	CASING	1



CREATED	TITLE :	PUMP END 2S
BY: M.V.		
DATE: 11-04-17		
VERIFIED	No:	PO-712S-2101
BY: M.V.		
DATE: 11-04-17		

WARNING

THIS DOCUMENT REMAINS THE PROPERTY OF C.E.T. FIRE PUMPS MFG.

ALL REPRODUCTION WITHOUT WRITTEN AGREEMENT FROM C.E.T. FIRE PUMPS MFG IS TOTALLY PROHIBITED.

B	SOME ADJUSTMENTS	10-04-17	M.P
A	VERSION A	01-01-15	M.P
REV.	DESCRIPTION	DATE	BY