

## EX50Li

18"/46 cm

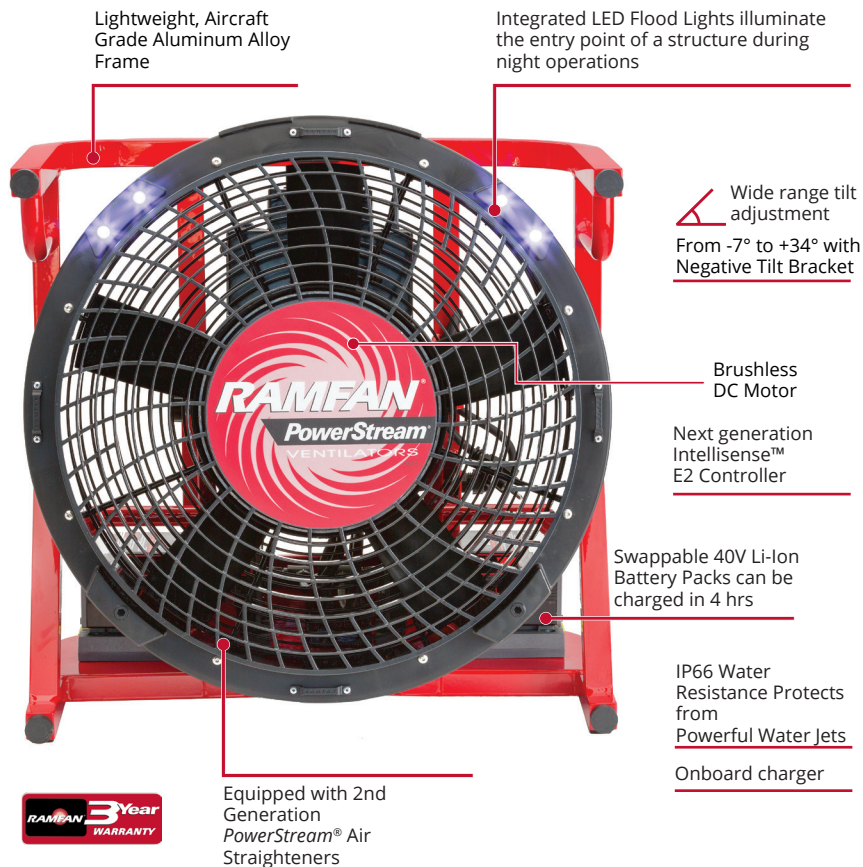
### All-Purpose Battery Ventilator

The RAMFAN EX50Li is the only battery-powered PPV fan available with hot swappable IP66 rated battery packs, to protect against the inevitable sweep of the fire hose. The ability to have extra battery packs and onboard charger removes the limitations of other traditional fans, leading to a very quick and efficient usage of the fan at the fire ground.

**40V Lithium Ion Battery Packs.** PPV battery fans require batteries with greater density of energy storage. The battery management system (BMS) is the central element for monitoring and controlling energy storage systems. The 432 Wh Lithium Ion battery system allows for cordless operation and it was designed specifically for the high draw and sustained run-time applications demanded of PPV fans.

### Specifications

| Model                                       | EX50Li                                                                                                                          |
|---------------------------------------------|---------------------------------------------------------------------------------------------------------------------------------|
| Order #EL5500-2PK                           | Includes RAMFAN EX50Li 115 VAC (1), 40V 6Ah battery packs (2) and carrying strap (1).                                           |
| Order #EL5500-230                           | EX50Li 230 VAC                                                                                                                  |
| NSN (Nato Stock Number)                     | 4140-01-667-0430                                                                                                                |
| Motor                                       | 0.8 Hp / 0.6 kW                                                                                                                 |
| Runtime @ Max. Speed                        | DC: 90 minutes (four battery packs)<br>DC: 45 minutes (two battery packs)<br>DC: 23 minutes (one battery pack)<br>AC: Unlimited |
| Battery System                              | 40V Lithium-ion, 432Wh, 12Ah                                                                                                    |
| IP Rating (Motor/Battery System/Controller) | IP66 / IP66 / IP66                                                                                                              |
| Dimensions (h x w x d)                      | 22" x 21" x 12" in / 56 x 53 x 30 cm                                                                                            |
| Weight                                      | with two batteries: 54 lbs / 25 kg<br>with one battery: 50 lbs / 23 kg<br>without batteries: 45 lbs / 20 kg                     |
| Approvals                                   | CE AMCA                                                                                                                         |
| AMCA Verified Airflow                       |                                                                                                                                 |
| AC Power Supply                             | 9,635 cfm (16,370 m <sup>3</sup> /hr)                                                                                           |
| DC Power Supply                             | 10,120 cfm (17,194 m <sup>3</sup> /hr)                                                                                          |



*Note: Output changes as setback from the opening changes. Single door airflow is per AMCA 240-15 testing. This data derives from 0" static pressure. Real world results will be substantially reduced by structure backpressure. EX50Li is tested at 13.5 ft (4.1 m) setback at 12.7° tilt and 2924 rpm on AC Power Supply and tested at 14 ft (4.3 m) setback at 9° tilt and 3045 rpm on DC Power Supply.*

AMCA 240, as defined and tested by the third-party Air Movement and Control Association (AMCA), is tested through a standard area opening which represents a single-door structure opening most often used in fire fighting PPV operations. This test procedure is published and is the most accurate method for PPV airflow testing that currently exists. AMCA's testing center is available to all manufacturers of ventilators for performance verification to this standard. Due to its standardized, published testing procedure and third-party status, this is known internationally as the best testing method for comparing PPV fans. Verify performance data online at AMCA.org.

### Operational Flexibility



#### Smoke Ejector

Perfectly balanced to hang from a doorbar during smoke ejection.



#### Rehabilitation

Integrated misters rapidly cool and rehabilitate.



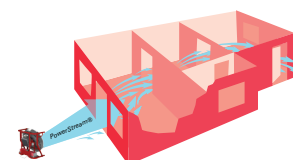
#### Wheel Kit

Wheel kit allows firefighters to pull the fan step-by-step in a fast, efficient order. The tough rub rails will protect against stairs and curbs, which makes the pull of the fan a smoother journey.



#### Confined Space Rescue

Used directly on top of a manhole or connected to duct for rescues in a confined space.



#### PPV

Equipped with 2nd generation PowerStream® airflow straighteners for flexible positioning, reduced noise inside the structure and a deeper FlowPath™ through the structure.

# EX50Li

## Wheel Kit

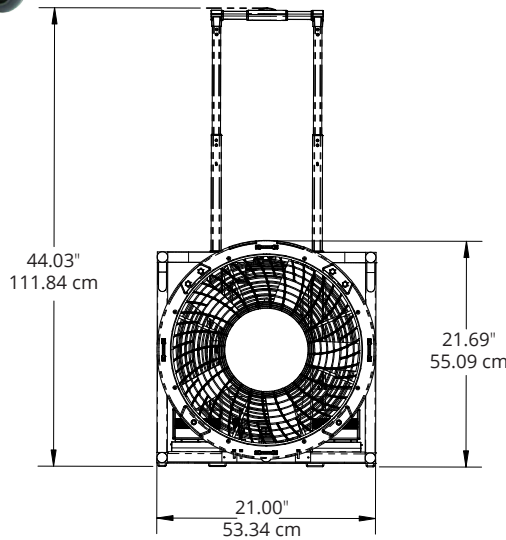
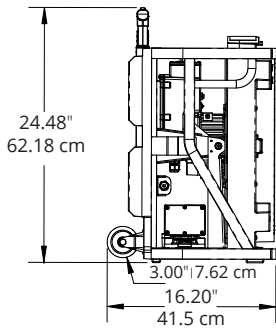
Tough, ergonomic design. Telescoping handle and polymer skids make ascending curbs and steps simple. Designed to eliminate the risk of back injury caused by carrying load on one shoulder.



**HANDLE DOWN**

**WHEEL KIT**

Order# EL6015  
 Weight: 5 lbs  
 Total collapsed height 24.48 in  
 Total extended height 44.03 in



**HANDLE UP**

Corrosion-resistant black anodized handles

Extra tough rub rails to protect against stairs and curbs



**Available Accessories**

**External Battery Charger**  
 Order # R2C-5500DC  
 Charge batteries on fire apparatus  
 Order # R2C-5500AC (115 VAC)  
 Order # R2C-5500AC230 (230 VAC)  
 Charge batteries at fire station



**Swappable 40V Li-Ion Battery Pack**  
 Order # R2-360-AH-U  
 Spare Battery  
 (recommend ordering 2)



**Vehicle Mount Kit**  
 Order # EL600K  
 Custom mount that perfectly fits fan



**EX50Li Integrated Mistifiers**  
 Order # EL8111  
 (Male NH Adapter)



**Double Female NH 1" Adapter**  
 Order # WF20-0252  
**1" BSP to STORZ Adapter**  
 Order # GX-8020

**Convert to Confined Space Rescue Fan**

Order # FDT-185MSR  
 18"/46cm duct (16.4'/5m length)  
 Order # FDT-1615BR  
 16"/40cm duct (15'/4.6m length)  
 Order # FDT-1625BR  
 16"/40cm duct (25'/7.6m length)



**Shoulder Strap**

Order # EL6013



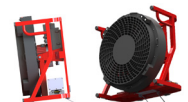
**Convert to a Smoke Ejector Door Bar and Hanger Kit**

Order # EL7095K  
**Hanger Kit**  
 (if you already own door bar)  
 Order # EL8095



**Negative Tilt Bracket\***

Order # EL8007  
 Engineered to increase the tilt range from -7° to +34°.



\*Standard range without Negative Tilt Bracket is 0° to +34°