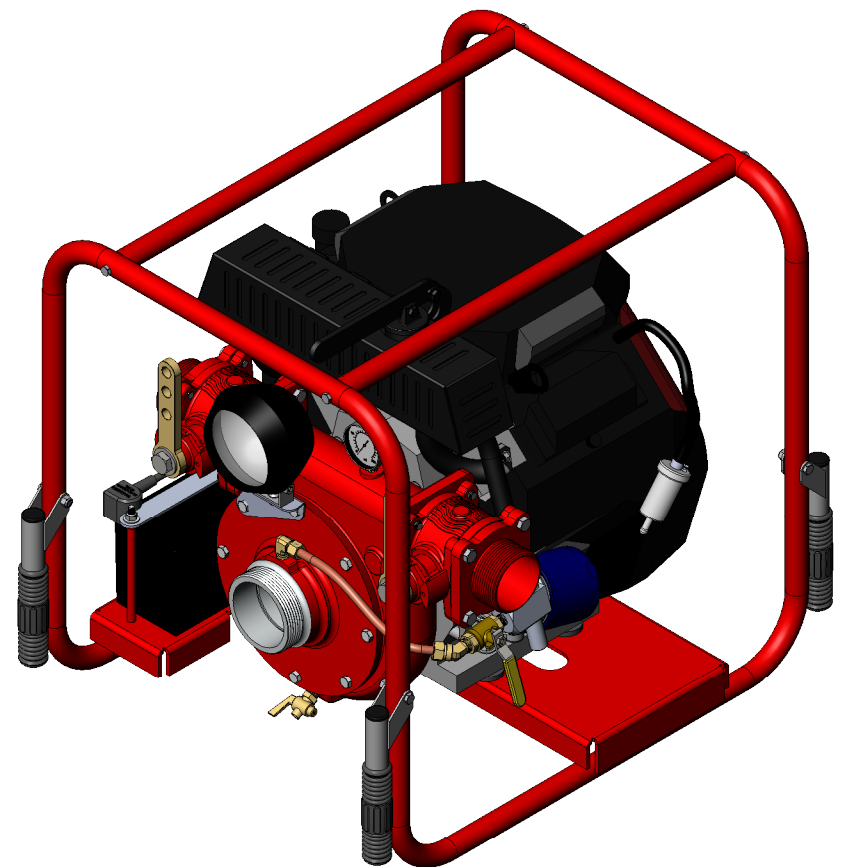
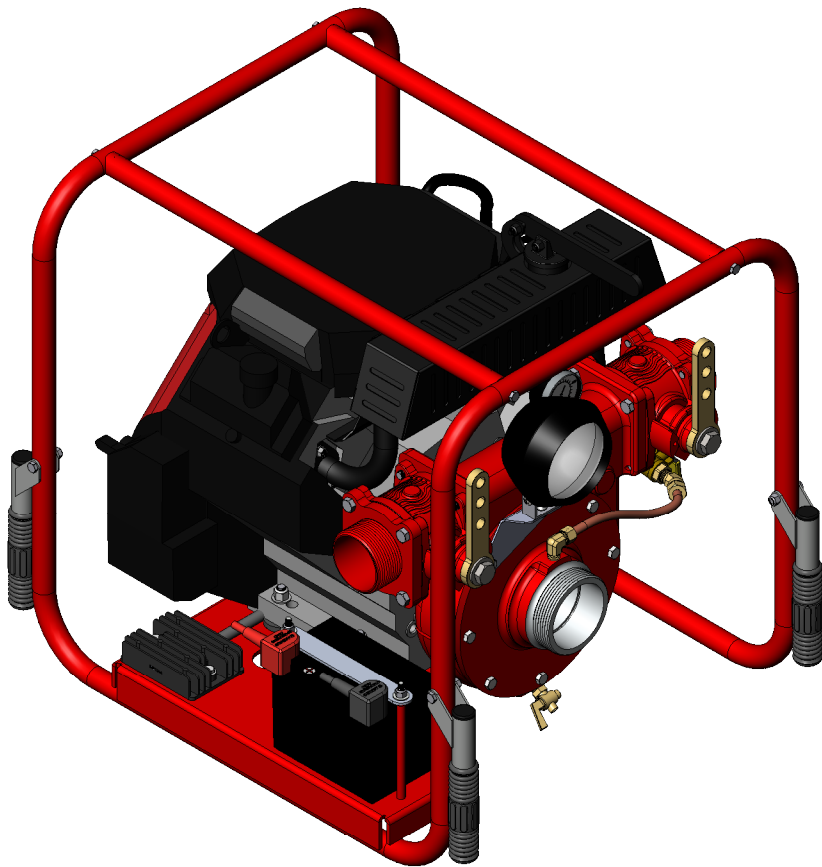
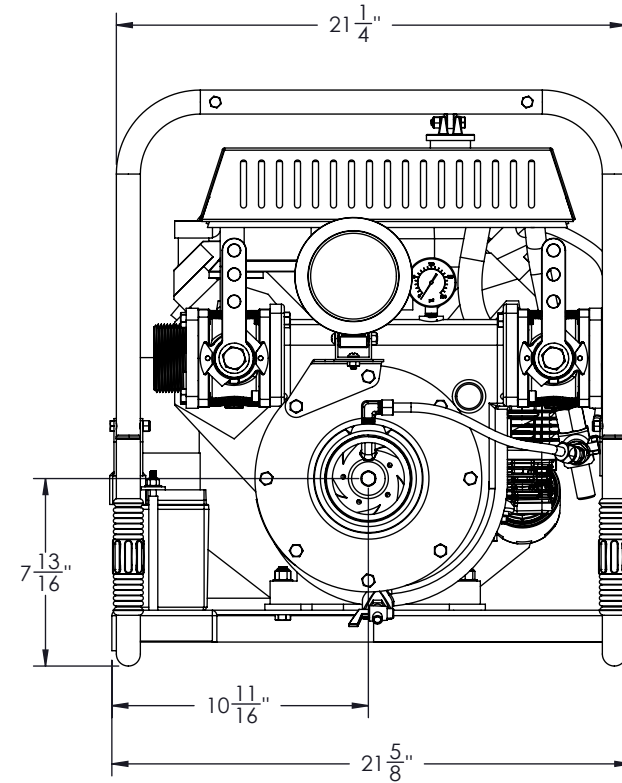
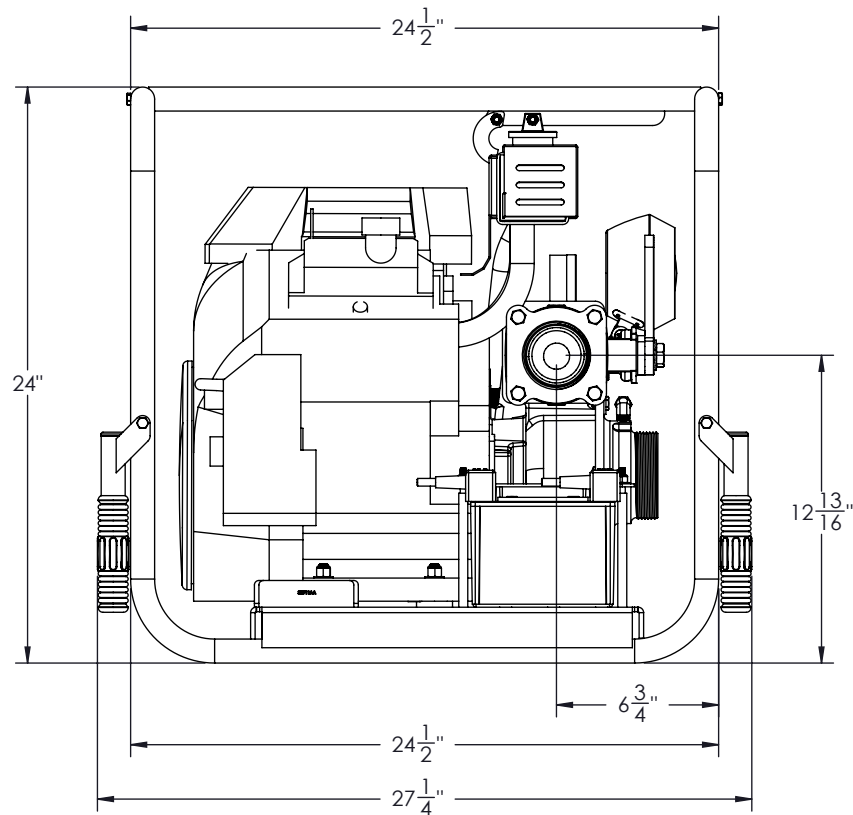


PORTABLE FIRE PUMP
PFP-20hpHND-2D
GX630 HONDA WITH HIGH-VOLUME PUMP



WE CAN CUSTOMIZE AS YOU WANT



WET WEIGHT: 200lbs

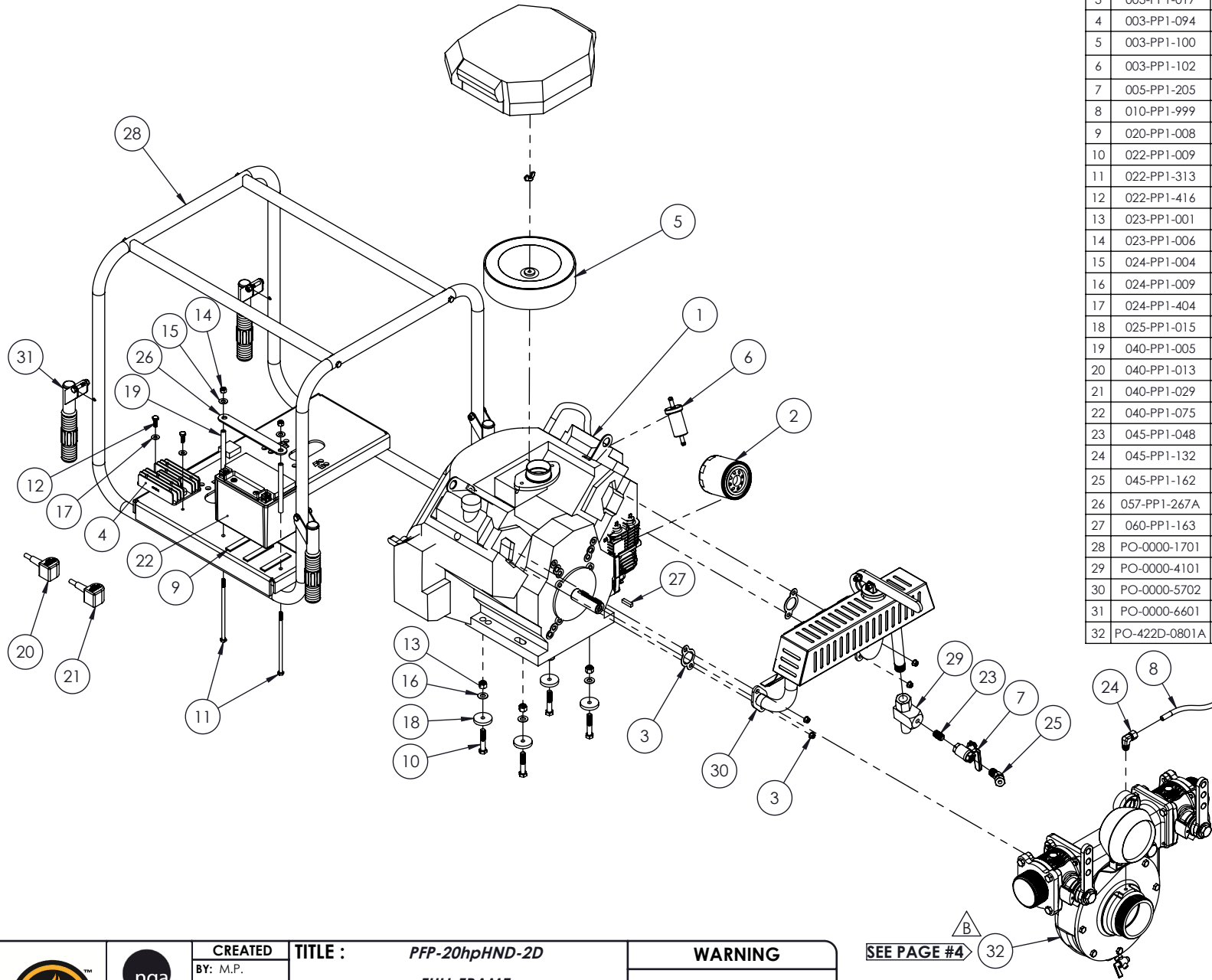


CREATED	BY: M.P.
	DATE: 18-08-16
VERIFIED	BY: M.P.
	DATE: 18-08-16

TITLE :	<i>FFP-20hpHND-2D</i>
	<i>FULL FRAME</i>
No:	PO-422D-0701-B

WARNING
THIS DOCUMENT REMAINS THE PROPERTY OF C.E.T. FIRE PUMPS MFG.
ALL REPRODUCTION WITHOUT WRITTEN AGREEMENT FROM C.E.T. FIRE PUMPS MFG IS TOTALLY PROHIBITED.

REV.	DESCRIPTION	DATE	BY
B	Beginning of the AnHsin Impeller	01-01-16	M.P.
A	Version A (before 2016)	2015	M.P.



NO	PART NUMBER	DESCRIPTION	QTY
1	001-PP1-014	HONDA ENGINE, ELECTRIC 20hp V-TWIN	1
2	003-PP1-010	HONDA 18hp & 20hp OIL FILTER	1
3	003-PP1-017	GASKET MUFFLER KIT	1
4	003-PP1-094	HONDA VOLTAGE REGULATOR RECTIFIER	1
5	003-PP1-100	HONDA 20hp AIR FILTER	1
6	003-PP1-102	HONDA 20hp FUEL FILTER	1
7	005-PP1-205	BALL VALVE 1/4" NPT-F	1
8	010-PP1-999	COPPER TUBE 3/8" x 8"	1
9	020-PP1-008	BATTERY FOAM TAPE 1/2" x 3"	3
10	022-PP1-009	HEX. BOLT 3/8"-16 x 2" (Gr.5 ZINC)	4
11	022-PP1-313	HEX. BOLT 1/4"-20 x 6"	2
12	022-PP1-416	HEX. BOLT 1/4"-20 x 3/4" (SS)	2
13	023-PP1-001	HEX. NYLON LOCKNUT 3/8"-16	4
14	023-PP1-006	HEX. NYLON LOCKNUT 1/4"-20	2
15	024-PP1-004	FLAT WASHER 5/16" ID x 3/4" OD	2
16	024-PP1-009	FLAT WASHER 3/8" int. x 7/8" ext.	4
17	024-PP1-404	FLAT WASHER 1/4" ID x 5/8" OD (SS)	2
18	025-PP1-015	RUBBER WASHER 0.312" INT x 1.5" EXT. x 1/4" TK	4
19	040-PP1-005	TUBE for BATTERY ROD 1/4" x 4-3/4" RED	2
20	040-PP1-013	BATTERY CABLE CET-R-5LL	1
21	040-PP1-029	BATTERY CABLE CET-N-10.25	1
22	040-PP1-075	BATTERY 12v	1
23	045-PP1-048	CLOSE NIPPLE 1/4 NPT-M	1
24	045-PP1-132	COMP. 90deg. ELBOW 3/8" TUBE x 1/4" NPT-M	1
25	045-PP1-162	COMP. 45deg. ELBOW 3/8" TUBE x 1/4" NPT-M	1
26	057-PP1-267A	BATTERY RETAINER PLATE	1
27	060-PP1-163	SHAFT KEY 1/4"	1
28	PO-0000-1701	UNIVERSAL FULL FRAME	1
29	PO-0000-4101	VENTURY	1
30	PO-0000-5702	MUFFLER	1
31	PO-0000-6601	SMALL HANDLE	4
32	PO-422D-0801A	PUMP END ACCESSORIES ASSEMBLY	1



nqa.
 ISO 9001
 Registered
 Quality
 Management

CREATED
 BY: M.P.
 DATE: 18-08-16

VERIFIED
 BY: M.P.
 DATE: 18-08-16

TITLE : PFP-20hpHND-2D
 FULL FRAME

No: PO-422D-0701-B

WARNING

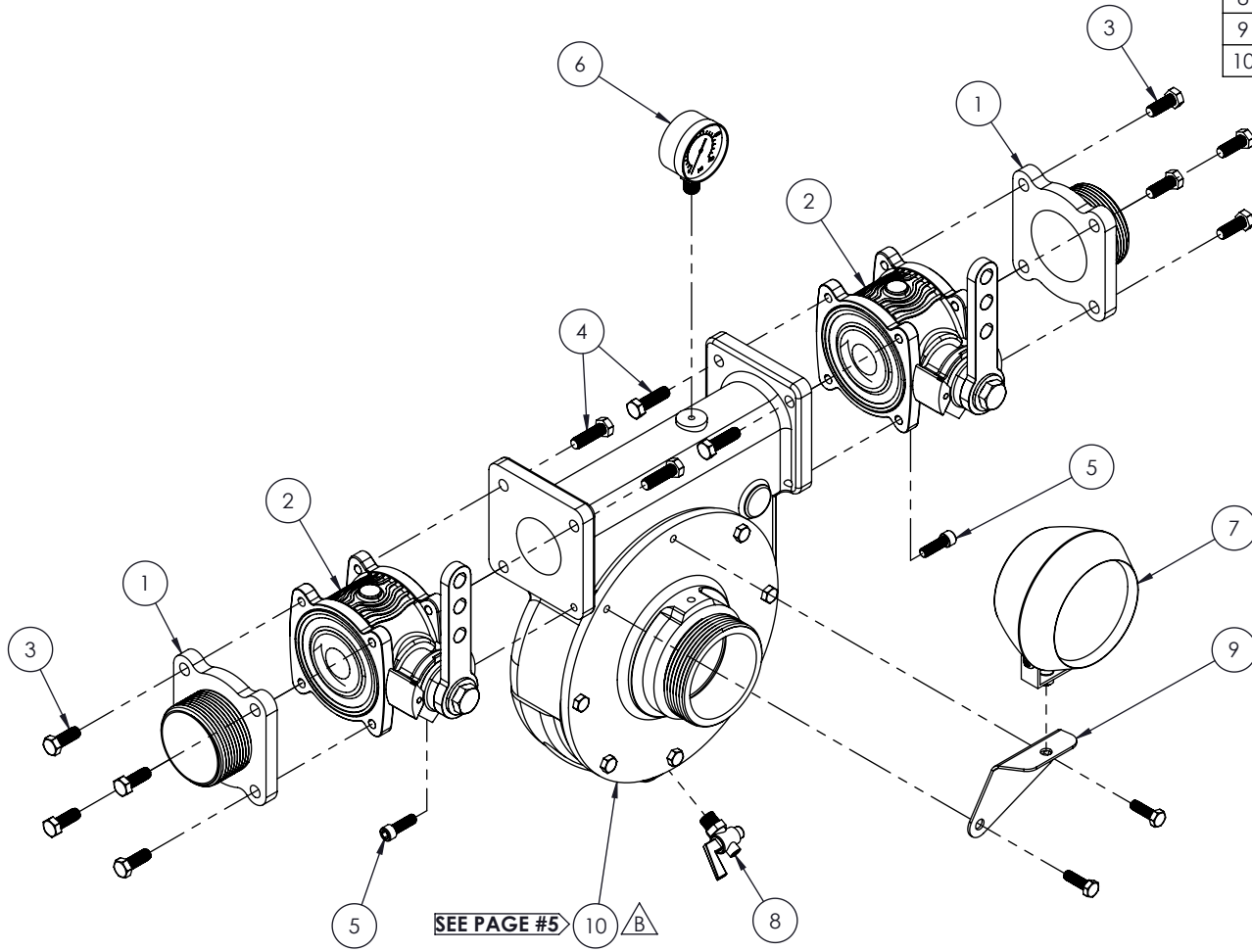
THIS DOCUMENT REMAINS THE PROPERTY OF C.E.T. FIRE PUMPS MFG.



ALL REPRODUCTION WITHOUT WRITTEN AGREEMENT FROM C.E.T. FIRE PUMPS MFG IS TOTALLY PROHIBITED.

SEE PAGE #4

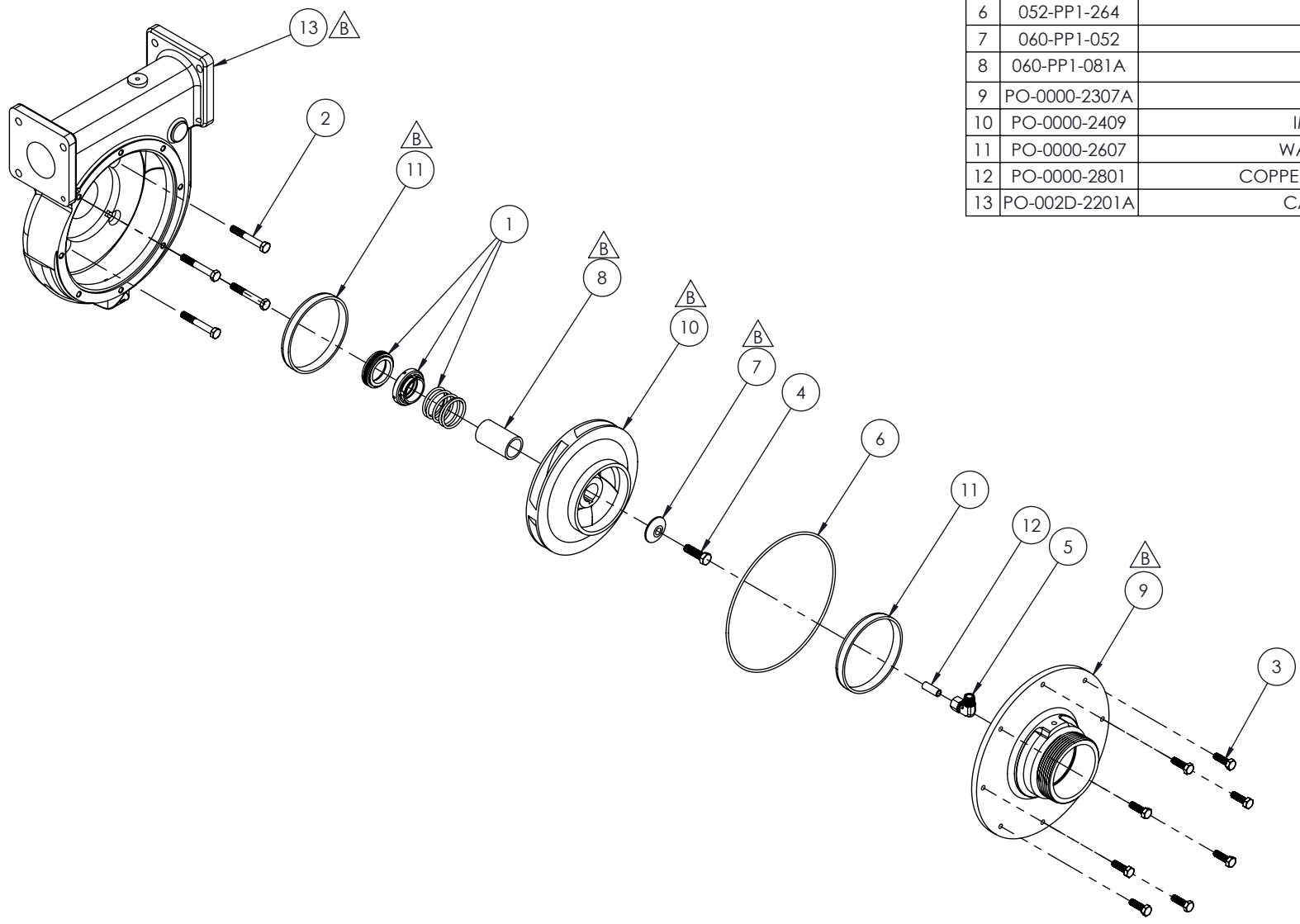
REV.	DESCRIPTION	DATE	BY
B	Beginning of the AnHsin Impeller	01-01-16	M.P.
A	Version A (before 2016)	2015	M.P.

NO	PART NUMBER	DESCRIPTION	QTY
1	002-PP1-302	FLANGE 2-1/2"	2
2	005-PP1-012	FIRE GRADE VALVE 2"	2
3	022-PP1-003	HEX. BOLT 3/8-16 x 1"	8
4	022-PP1-004	HEX. BOLT 3/8"-16 x 1-1/4"	6
5	022-PP1-996	SOCKET HEAD CAP SCREW 5/16"-18 x 1"	2
6	034-PP1-018	DRY GAUGE 0/200psi DIA 2" x 1/4CMB	1
7	040-PP1-004	PAR36 LIGHT	1
8	045-PP1-086	DRAIN VALVE 1/4" NPT-M	1
9	057-PP1-034A	BRACKET LIGHT	1
10	PO-002D-2101A	PUMP END ASSEMBLY	1



		CREATED BY: M.P. DATE: 18-08-16	TITLE : PUMP END ACCESSORIES ASSEMBLY 20hpHND - 2D	WARNING THIS DOCUMENT REMAINS THE PROPERTY OF C.E.T. FIRE PUMPS MFG. ALL REPRODUCTION WITHOUT WRITTEN AGREEMENT FROM C.E.T. FIRE PUMPS MFG IS TOTALLY PROHIBITED.	B Beginning of the AnHsin Impeller 01-01-16 M.P. A Version A (before 2016) 2015 M.P.
		VERIFIED BY: M.P. DATE: 18-08-16	No: PO-422D-0801A		

NO	PART NUMBER	DESCRIPTION	QTY
1	020-PP1-002	MECHANICAL SEAL 1-1/4" (SS)	1
2	022-PP1-401	HEX. BOLT 5/16"-24 x 2-1/4" (SS)	4
3	022-PP1-403	HEX. BOLT 5/16"-18 x 1" (SS)	8
4	022-PP1-420	HEX. BOLT 3/8"-24 x 1-1/4" (SS)	1
5	045-PP1-132	COMP. 90deg. ELBOW 3/8" TUBE x 1/4" NPT-M	1
6	052-PP1-264	O-RING	1
7	060-PP1-052	CAP	1
8	060-PP1-081A	Bushing	1
9	PO-0000-2307A	Cover	1
10	PO-0000-2409	IMPELLER	1
11	PO-0000-2607	WATER RING	2
12	PO-0000-2801	COPPER TUBE 3/8" x 1"	1
13	PO-002D-2201A	CASING 2D	1



nqa.

ISO 9001
Registered

Quality
Management

CREATED	BY: M.P.	DATE: 30-06-16	TITLE : PUMP END ASSEMBLY 18hpVGD - 20hpHND - 2D
VERIFIED	BY: M.P.	DATE: 30-06-16	No: PO-002D-2101A

WARNING
THIS DOCUMENT REMAINS THE PROPERTY OF C.E.T. FIRE PUMPS MFG.
ALL REPRODUCTION WITHOUT WRITTEN AGREEMENT FROM C.E.T. FIRE PUMPS MFG IS TOTALLY PROHIBITED.

REV.	DESCRIPTION	DATE	BY
B	Beginning of the AnHsin Impeller	01-01-16	M.P.
A	Version A (before 2016)	2015	M.P.