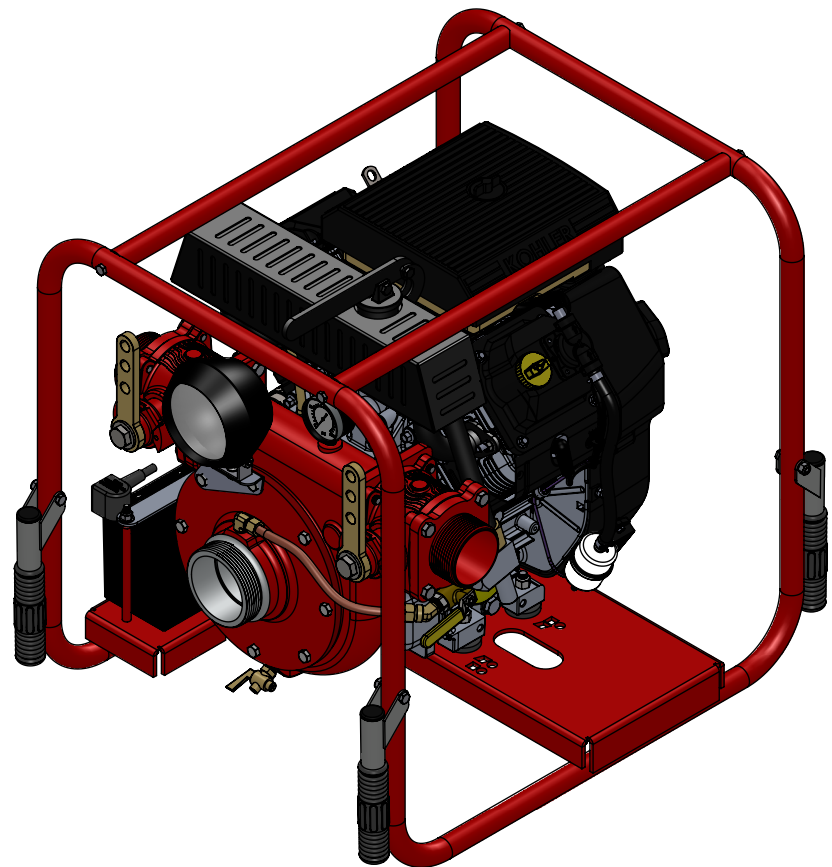
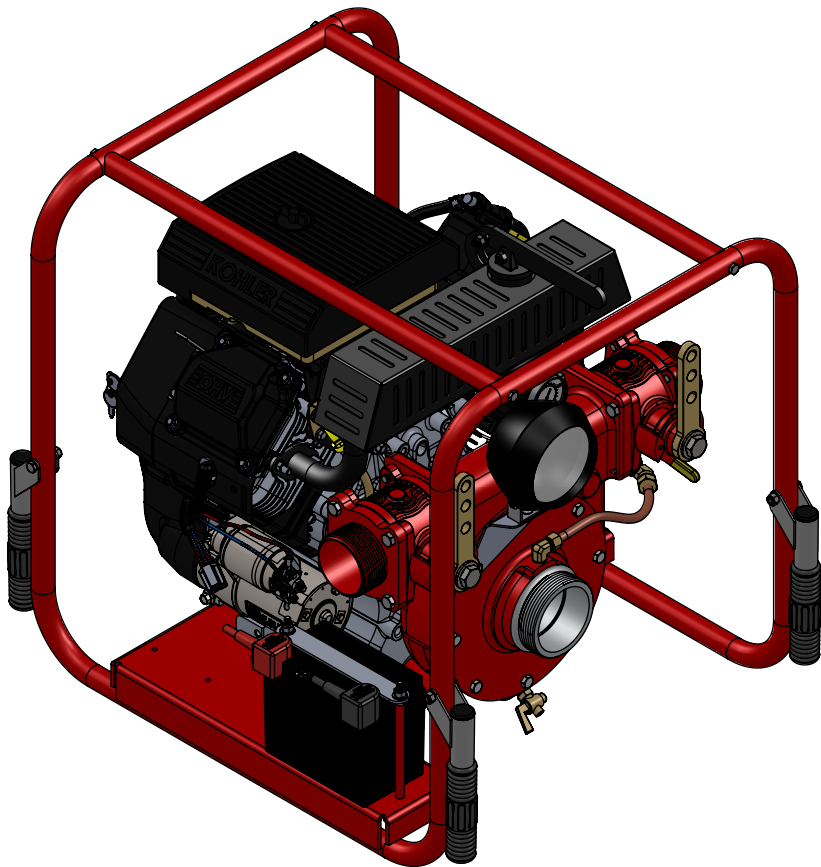
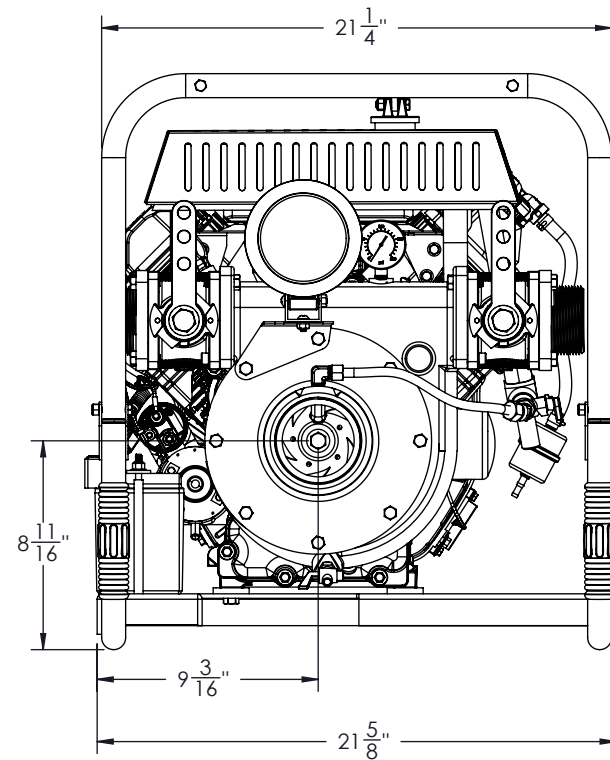
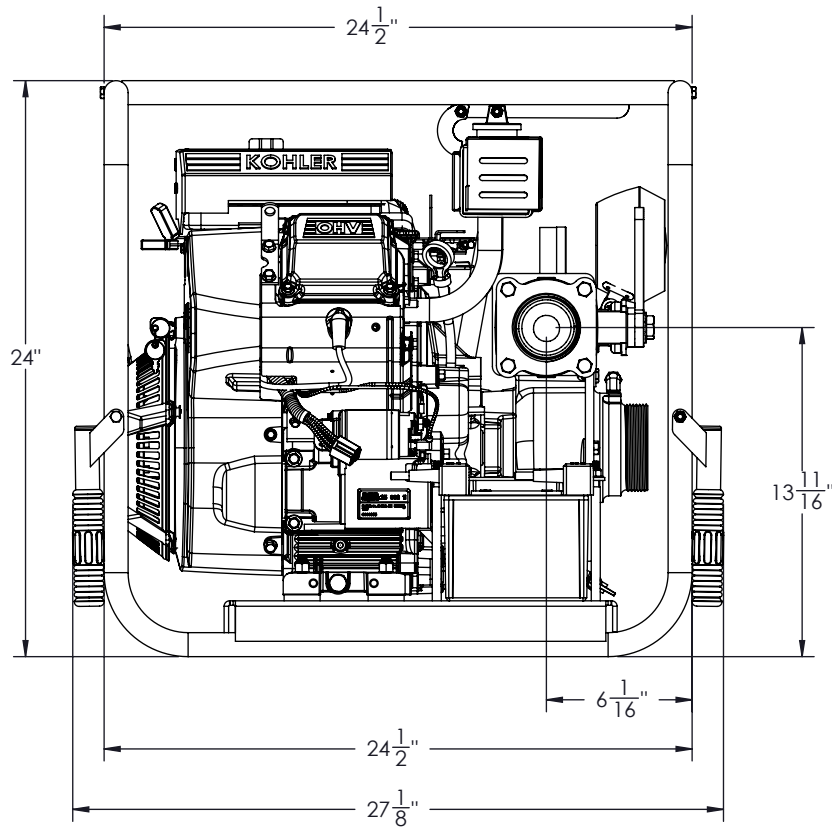




PORTABLE FIRE PUMP
PFP-20hpKHL-2D
CH640 KOHLER WITH HIGH-VOLUME PUMP

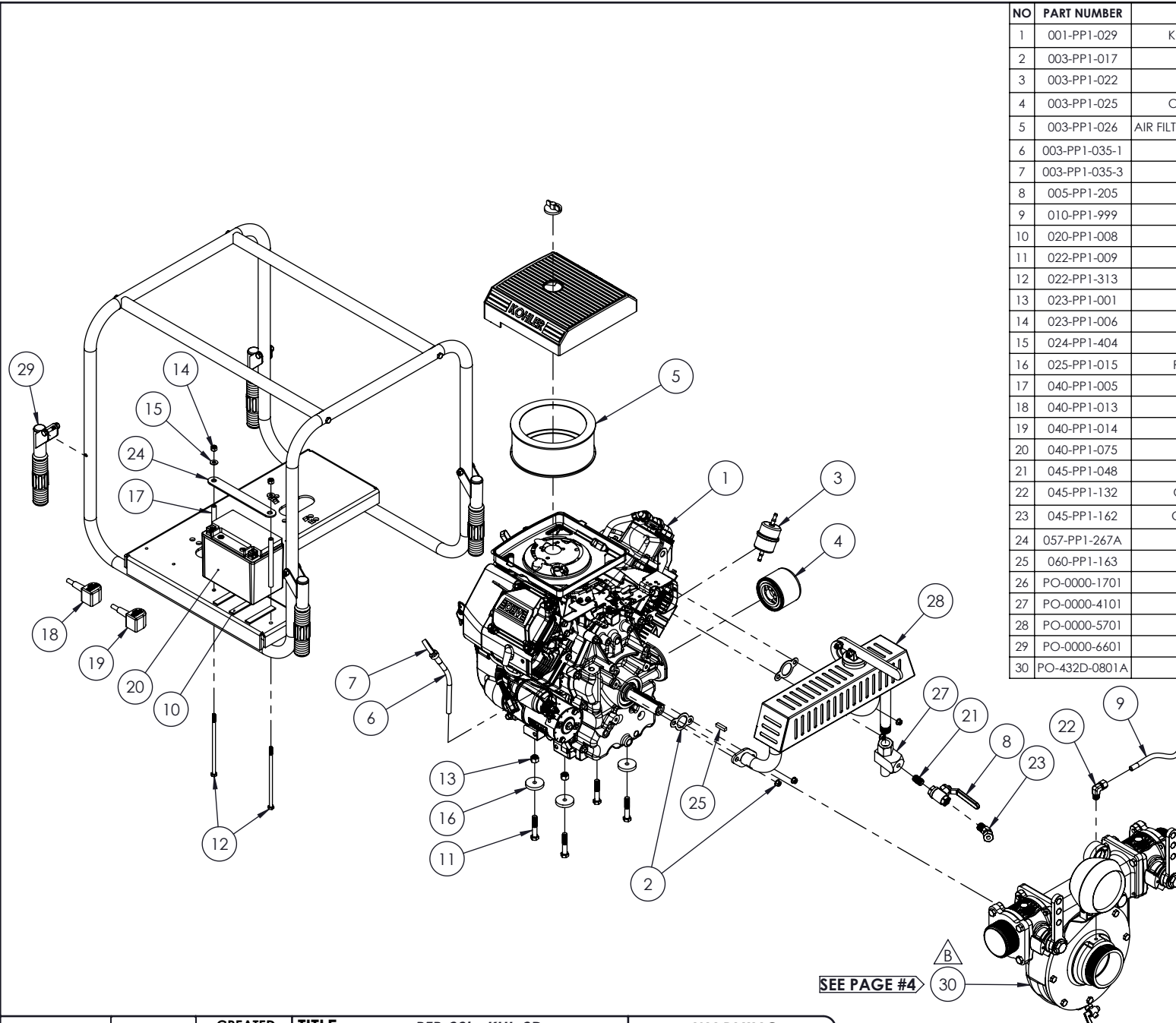


WE CAN CUSTOMIZE AS YOU WANT





WET WEIGHT: XXX lbs

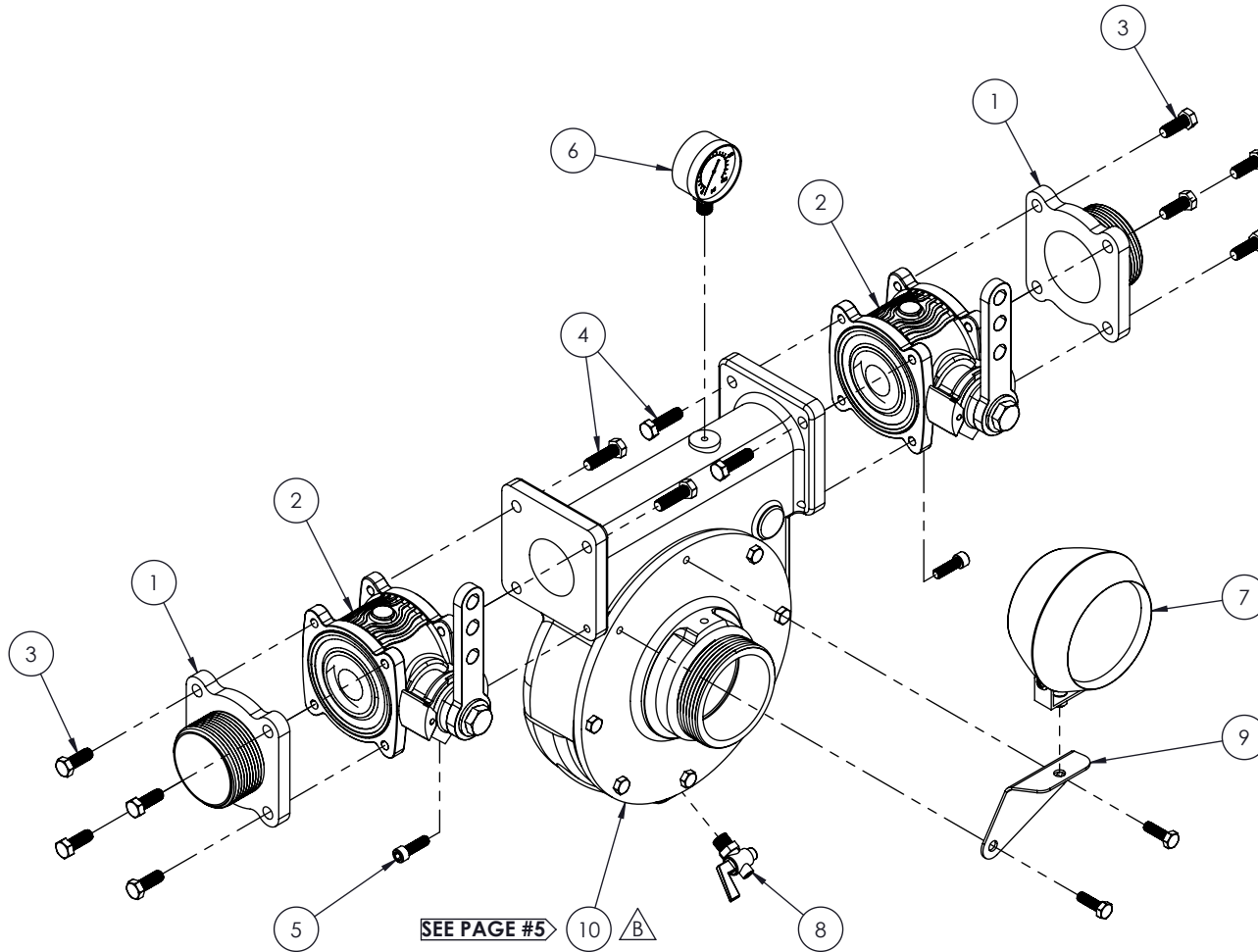
		CREATED BY: M.P. DATE: 14-10-16	TITLE : PFP-20hpKHL-2D FULL FRAME	WARNING THIS DOCUMENT REMAINS THE PROPERTY OF C.E.T. FIRE PUMPS MFG. ALL REPRODUCTION WITHOUT WRITTEN AGREEMENT FROM C.E.T. FIRE PUMPS MFG IS TOTALLY PROHIBITED.	B	Beginning of the AnHsin impeller	01-01-16	M.P.
		VERIFIED BY: M.P. DATE: 14-10-16	No: PO-432D-0701-B		A	Version A (Before 2016)	2015	M.P.
					REV.	DESCRIPTION	DATE	BY





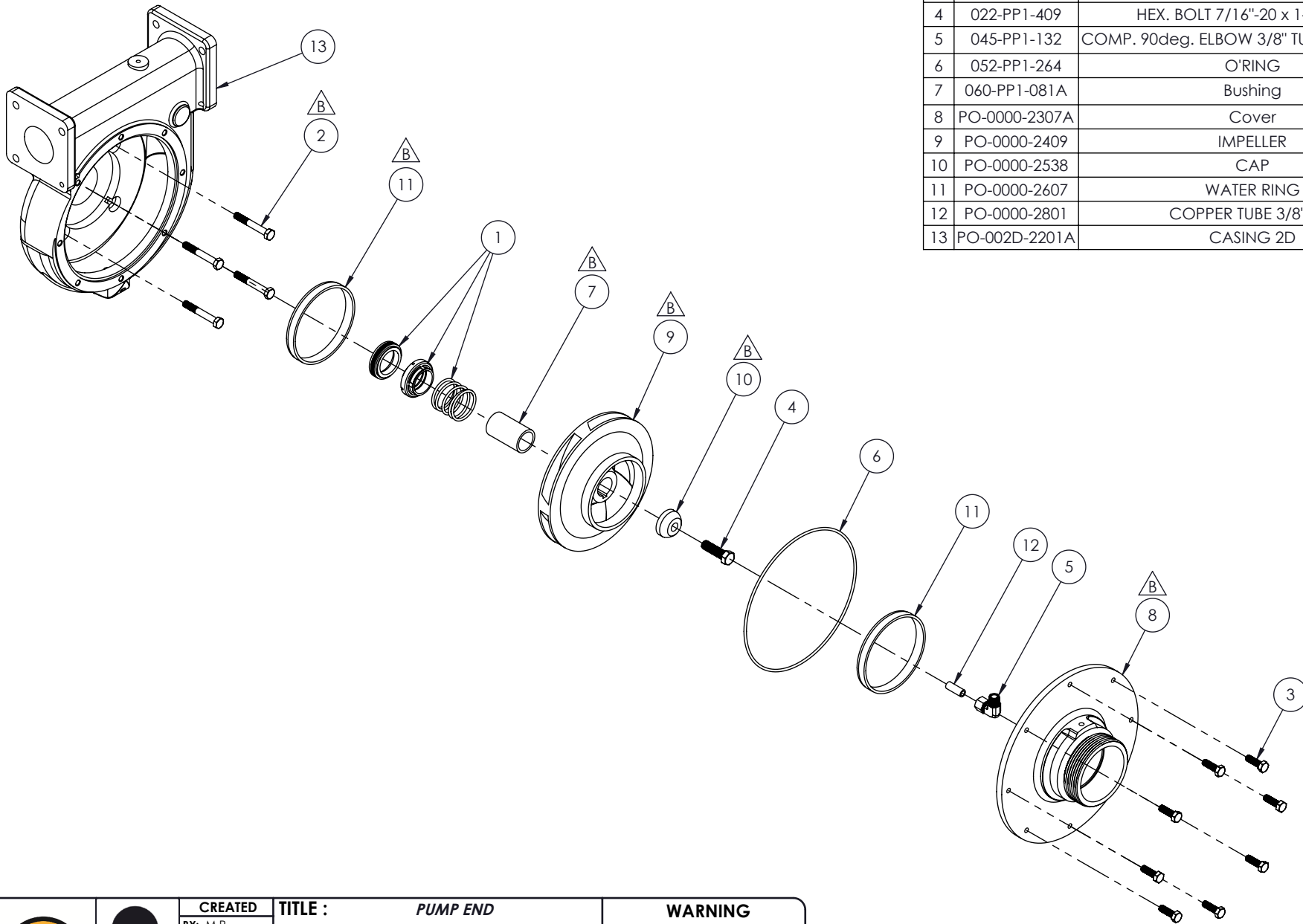
NO	PART NUMBER	DESCRIPTION	QTY
1	001-PP1-029	KOHLER ENGINE, ELECTRIC/MANUAL 20hp GAS	1
2	003-PP1-017	GASKET MUFFLER KIT	1
3	003-PP1-022	FUEL FILTER KOHLER 20, 25 & 27hp	1
4	003-PP1-025	OIL FILTER for 20hp, 25hp, 27hp & 38hp KOHLER	1
5	003-PP1-026	AIR FILTER W/ GREEN FOAM for 20hp, 25hp & 27hp KOHLER	1
6	003-PP1-035-1	DIP STICK	1
7	003-PP1-035-3	OIL GAUGE	1
8	005-PP1-205	BALL VALVE 1/4" NPT-F	1
9	010-PP1-999	COPPER TUBE 3/8" x 8-3/8"	1
10	020-PP1-008	BATTERY FOAM TAPE 1/2" x 3"	3
11	022-PP1-009	HEX. BOLT 3/8"-16 x 2" (Gr.5 ZINC)	4
12	022-PP1-313	HEX. BOLT 1/4"-20 x 6"	2
13	023-PP1-001	HEX. NYLON LOCKNUT 3/8"-16	4
14	023-PP1-006	HEX. NYLON LOCKNUT 1/4"-20	2
15	024-PP1-404	FLAT WASHER 1/4" ID x 5/8" OD (SS)	2
16	025-PP1-015	RUBBER WASHER 0.312" INT x 1.5" EXT. x 1/4" TK	4
17	040-PP1-005	TUBE for BATTERY ROD 1/4" x 4-3/4" RED	2
18	040-PP1-013	BATTERY CABLE CET-R-5LL	1
19	040-PP1-014	BATTERY CABLE CET-N-8.25	1
20	040-PP1-075	BATTERY 12v	1
21	045-PP1-048	CLOSE NIPPLE 1/4 NPT-M	1
22	045-PP1-132	COMP. 90deg. ELBOW 3/8" TUBE x 1/4" NPT-M	1
23	045-PP1-162	COMP. 45deg. ELBOW 3/8" TUBE x 1/4" NPT-M	1
24	057-PP1-267A	BATTERY RETAINER PLATE	1
25	060-PP1-163	SHAFT KEY 1/4"	1
26	PO-0000-1701	UNIVERSAL FULL FRAME	1
27	PO-0000-4101	VENTURY	1
28	PO-0000-5701	PUMP MUFFLER	1
29	PO-0000-6601	SMALL HANDLE	4
30	PO-432D-0801A	PUMP END ACCESSORIES ASSEMBLY	1

		CREATED BY: M.P. DATE: 14-10-16	TITLE : PFP-20hpKHL-2D FULL FRAME	WARNING THIS DOCUMENT REMAINS THE PROPERTY OF C.E.T. FIRE PUMPS MFG. ALL REPRODUCTION WITHOUT WRITTEN AGREEMENT FROM C.E.T. FIRE PUMPS MFG IS TOTALLY PROHIBITED.	B Beginning of the AnHsin impeller A Version A (Before 2016)	01-01-16 2015	M.P. M.P.
		VERIFIED BY: M.P. DATE: 14-10-16	No: PO-432D-0701-B				



NO	PART NUMBER	DESCRIPTION	QTY
1	002-PP1-302	FLANGE 2-1/2"	2
2	005-PP1-012	FIRE GRADE VALVE 2"	2
3	022-PP1-003	HEX. BOLT 3/8-16 x 1"	8
4	022-PP1-004	HEX. BOLT 3/8"-16 x 1-1/4"	6
5	022-PP1-996	SOCKET HEAD CAP SCREW 5/16"-18 x 1"	2
6	034-PP1-018	DRY GAUGE 0/200psi DIA 2" x 1/4CMB	1
7	040-PP1-004	PAR36 LIGHT	1
8	045-PP1-086	DRAIN VALVE 1/4" NPT-M	1
9	057-PP1-034A	BRACKET LIGHT	1
10	PO-002D-2104A	PUMP END	1



		CREATED BY: M.P. DATE: 18-08-16	TITLE : PUMP END ACCESSORIES ASSEMBLY 20hpKHL - 2D	WARNING THIS DOCUMENT REMAINS THE PROPERTY OF C.E.T. FIRE PUMPS MFG. ALL REPRODUCTION WITHOUT WRITTEN AGREEMENT FROM C.E.T. FIRE PUMPS MFG IS TOTALLY PROHIBITED.	B	Beginning of the AnHsin impeller	01-01-16	M.P.
		VERIFIED BY: M.P. DATE: 18-08-16	No: PO-432D-0801A		A	Version A (Before 2016)	2015	M.P.
					REV.	DESCRIPTION	DATE	BY



NO	PART NUMBER	DESCRIPTION	QTY
1	020-PP1-002	MECHANICAL SEAL 1-1/4" (SS)	1
2	022-PP1-401	HEX. BOLT 5/16"-24 x 2-1/4" (SS)	4
3	022-PP1-403	HEX. BOLT 5/16"-18 x 1" (SS)	8
4	022-PP1-409	HEX. BOLT 7/16"-20 x 1-1/2" (SS)	1
5	045-PP1-132	COMP. 90deg. ELBOW 3/8" TUBE x 1/4" NPT-M	1
6	052-PP1-264	O-RING	1
7	060-PP1-081A	Bushing	1
8	PO-0000-2307A	Cover	1
9	PO-0000-2409	IMPELLER	1
10	PO-0000-2538	CAP	1
11	PO-0000-2607	WATER RING	2
12	PO-0000-2801	COPPER TUBE 3/8" x 1"	1
13	PO-002D-2201A	CASING 2D	1

 	CREATED BY: M.P. DATE: 13-10-16	TITLE : PUMP END 20hpKHL	WARNING THIS DOCUMENT REMAINS THE PROPERTY OF C.E.T. FIRE PUMPS MFG. ALL REPRODUCTION WITHOUT WRITTEN AGREEMENT FROM C.E.T. FIRE PUMPS MFG IS TOTALLY PROHIBITED.	B	Beginning of the AnHsin impeller	01-01-16	M.P.
	VERIFIED BY: M.P. DATE: 13-10-16	No: PO-002D-2104A		A	Version A (Before 2016)	2015	M.P.
				REV.	DESCRIPTION	DATE	BY