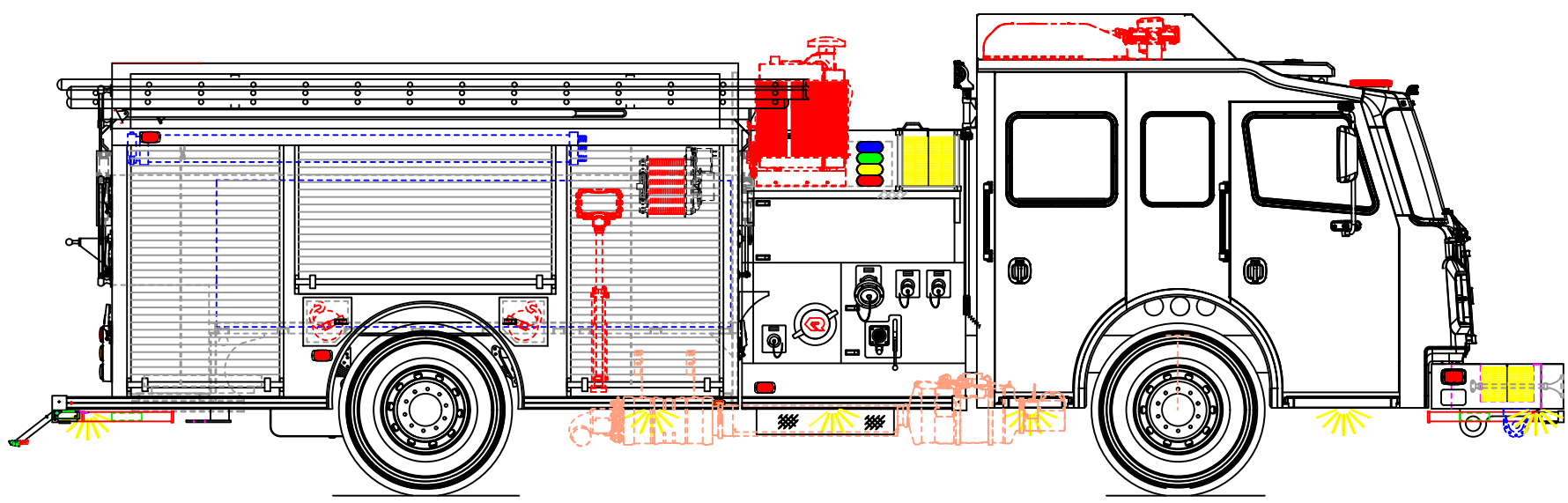
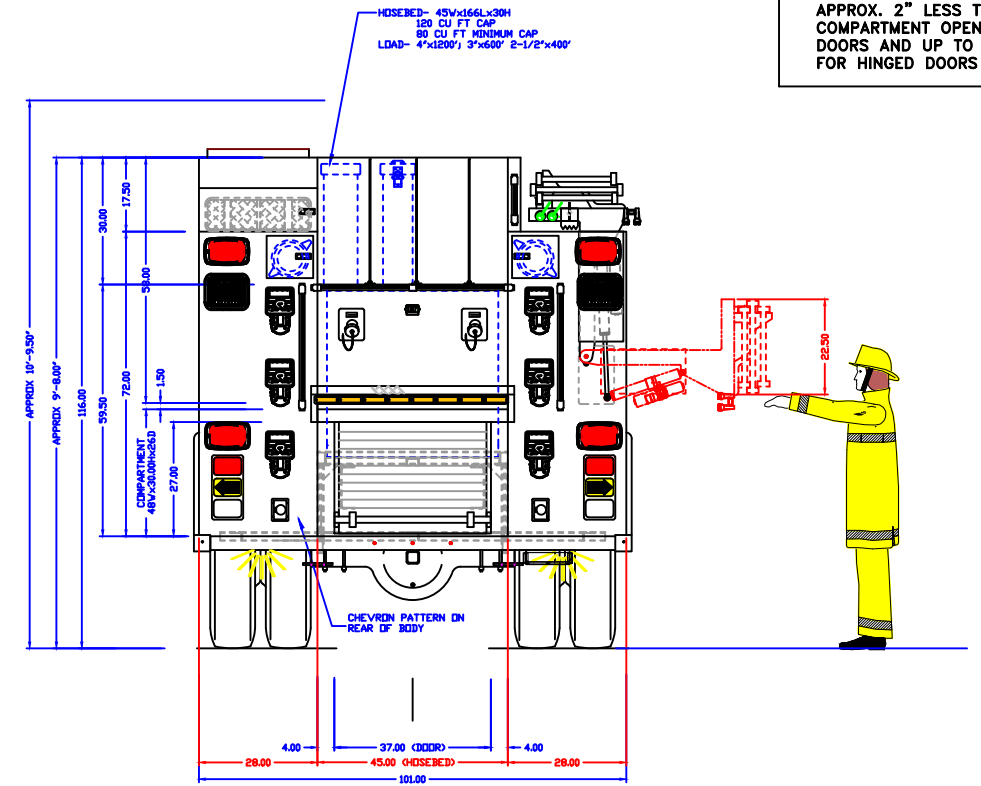
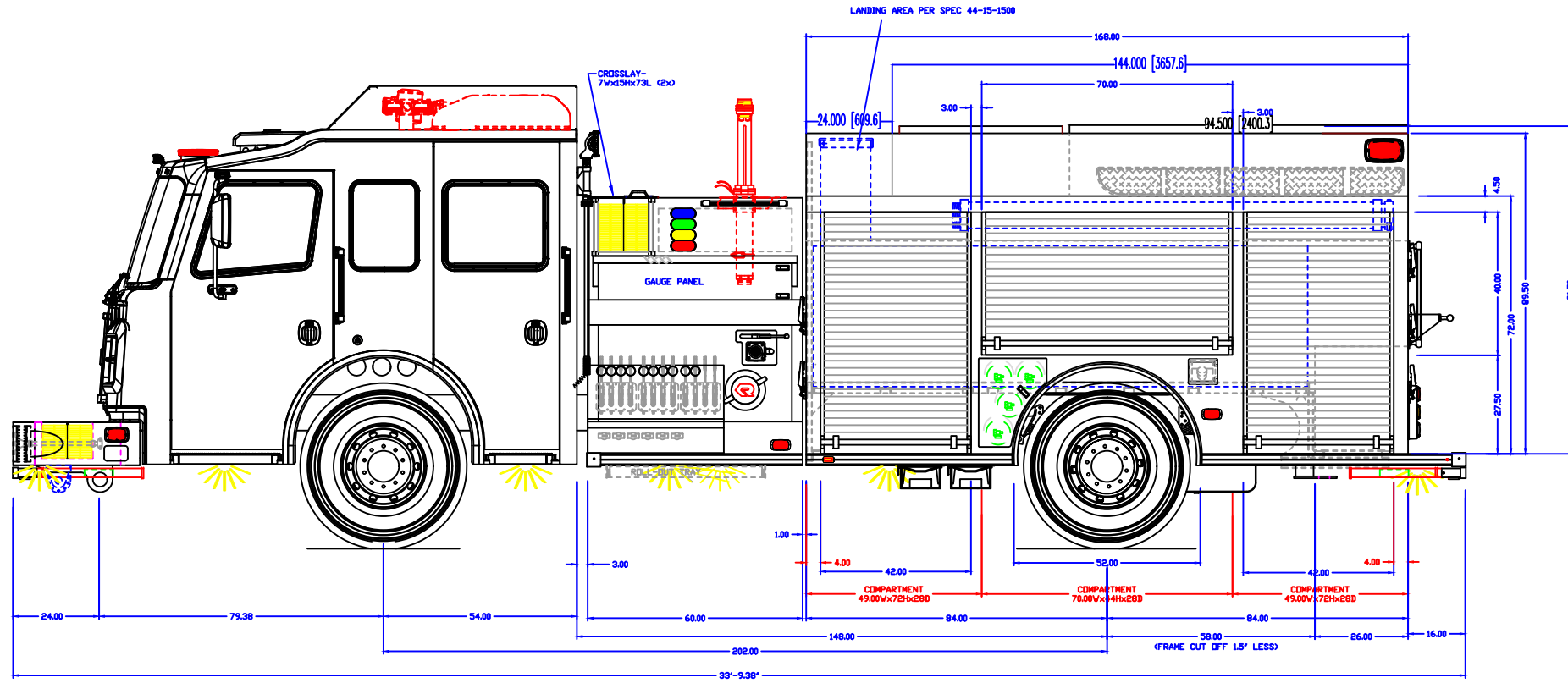


- NOTES:
1. OVERALL HEIGHT IS IN LOADED CONDITION. UNLOADED HEIGHTS MAY BE 4" ABOVE HEIGHTS SHOWN.
 2. DO NOT SCALE DRAWING.
 3. ALL DIMENSIONS ARE APPROXIMATE AND SUBJECT TO ENGINEERING CHANGES.
 4. DRAWING MAY OR MAY NOT SHOW ALL ITEMS AS DESCRIBED IN THE WRITTEN DETAIL SPECIFICATIONS.
 5. INCLUSION OF AN ITEM ON THE DRAWING DOES NOT CONSTITUTE INCLUSION OF THAT ITEM WITH THE FINAL DELIVERED UNIT.
 6. THE EFFECTIVE DOOR OPENINGS WILL BE APPROX. 2" LESS THAN THE NOTED COMPARTMENT OPENING FOR ROLL UP DOORS AND UP TO APPROX. 4" LESS FOR HINGED DOORS



APPROVED BY:

CHASSIS: WARRIOR 2 5408

PUMP: ROSENBAUER N 1500 GPM

TANK: POLY/750/30(FOAM)

PANEL MATL: LINE X

COMP INTERIOR: DA SANDED

MAXIMUM HEIGHT	NONE
MAXIMUM LENGTH	33'10"
BODY WIDTH	101"

REVISED: - DATE: -
DRAWN: MJ DATE: 9-11-24

PROPRIETARY AND CONFIDENTIAL
THE INFORMATION CONTAINED IN THIS DRAWING IS
THE SOLE PROPERTY OF ROSENBAUER. ANY
REPRODUCTION IN PART OR AS A WHOLE WITHOUT
THE WRITTEN PERMISSION OF ROSENBAUER IS
PROHIBITED.

TRI COMMUNITY FIRE DEPARTMENT, TN



ROSENBAUER FX 3/16"

DRAWING NUMBER 1540-D

REV -