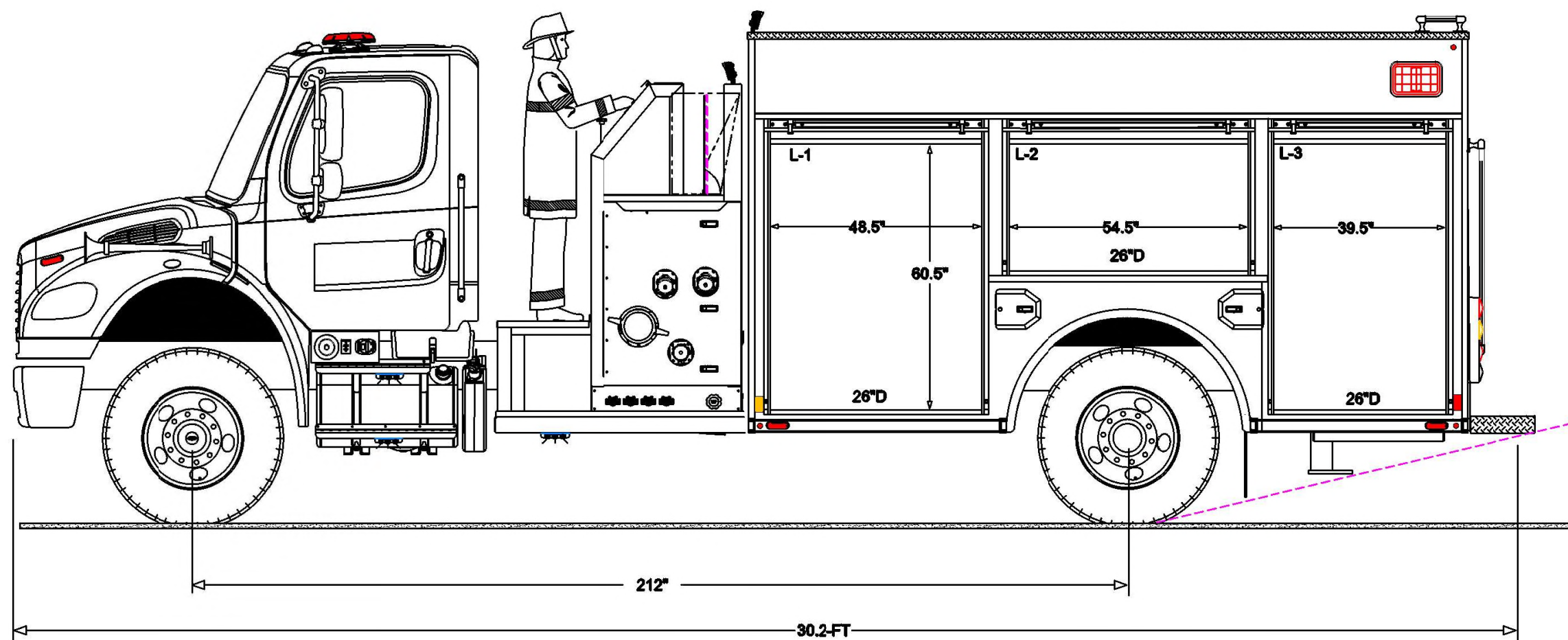
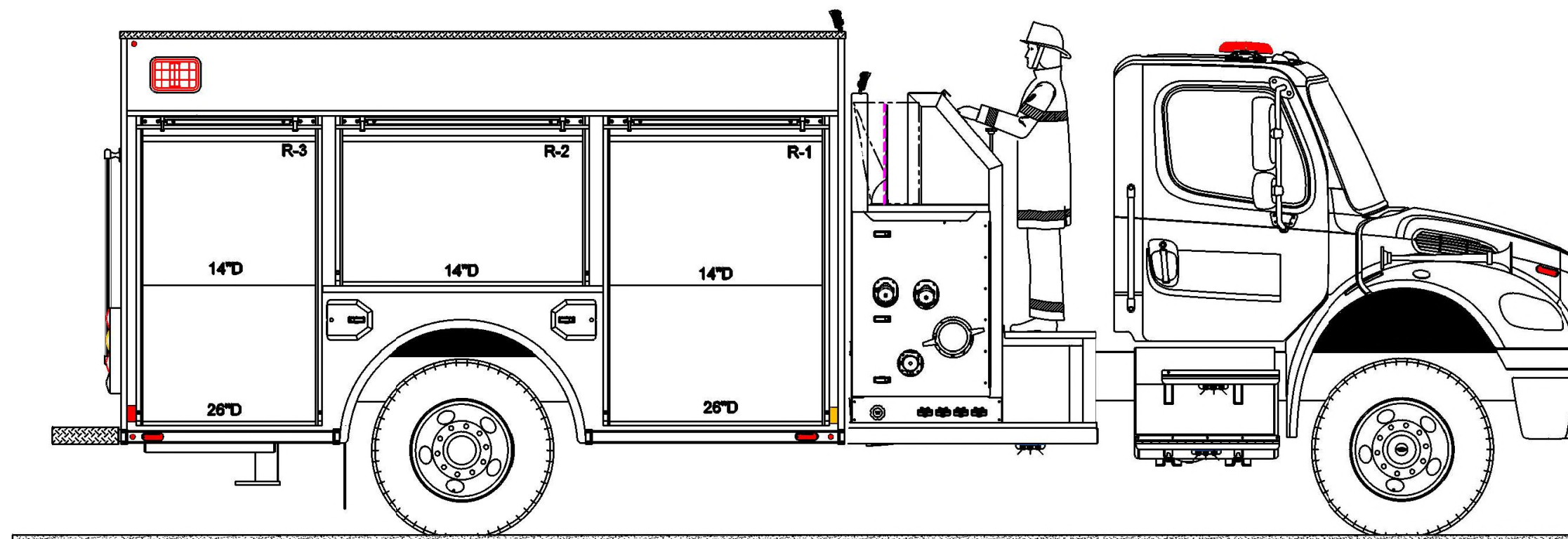


SALES DRAWING - DO NOT SCALE
COMPARTMENT DIMENSIONS ARE APPROX CLEAR OPENING



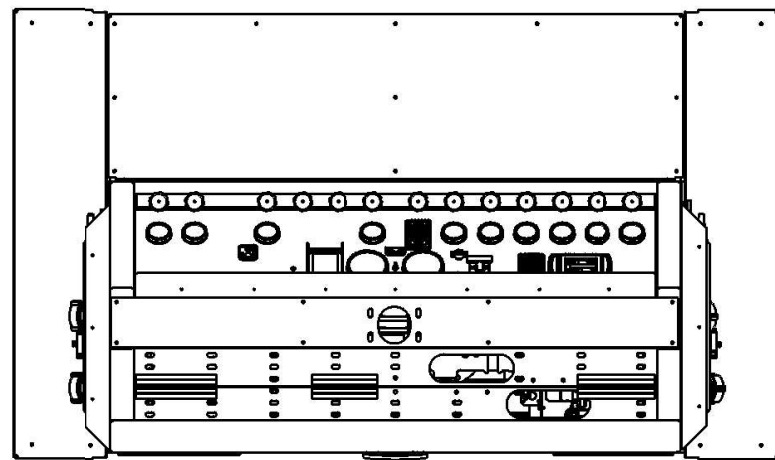
TOP MOUNT COMMERCIAL PUMPER
1500 GPM / 1030 GAL WATER

SALES DRAWING - DO NOT SCALE
COMPARTMENT DIMENSIONS ARE APPROX CLEAR OPENING

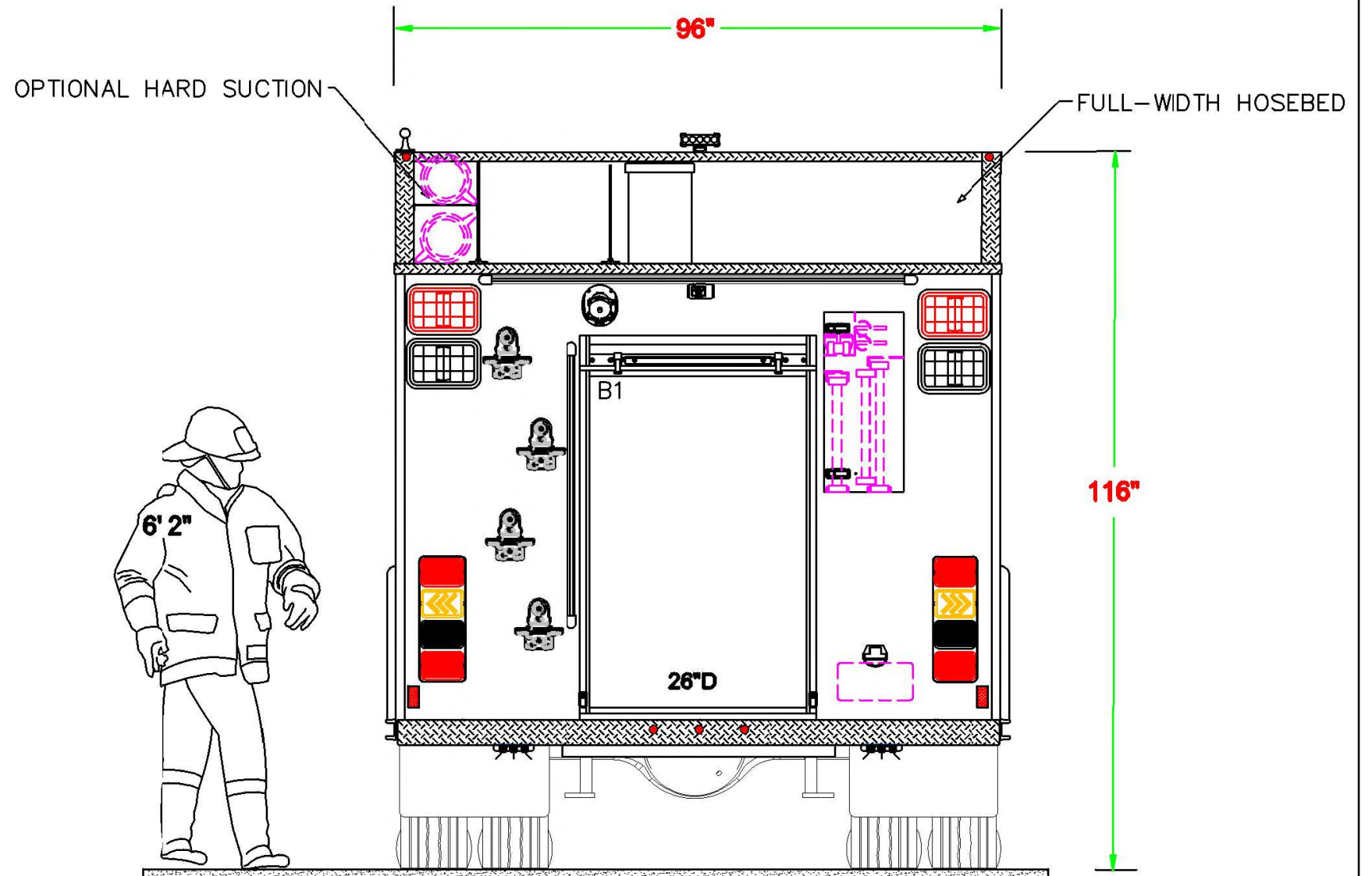


TOP MOUNT COMMERCIAL PUMPER
1500 GPM / 1030 GAL WATER

SALES DRAWING - DO NOT SCALE
COMPARTMENT DIMENSIONS ARE APPROX CLEAR OPENING



PUMP PANEL
TOP VIEW



COMMERCIAL PUMPER
1500 GPM / 1030 GAL WATER