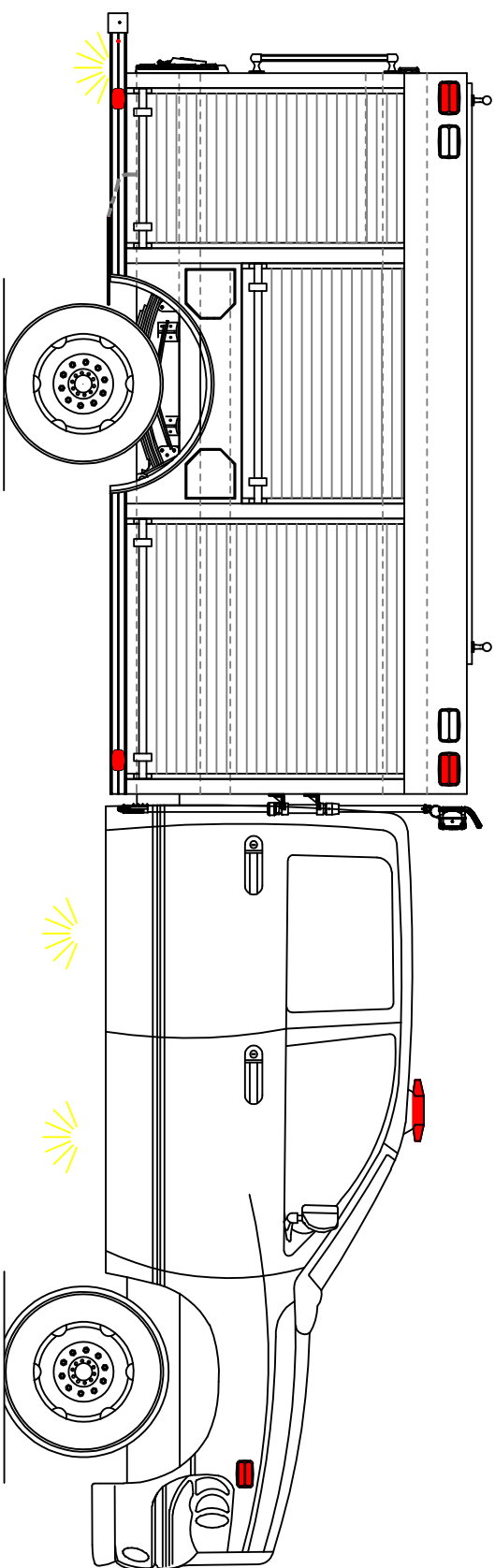
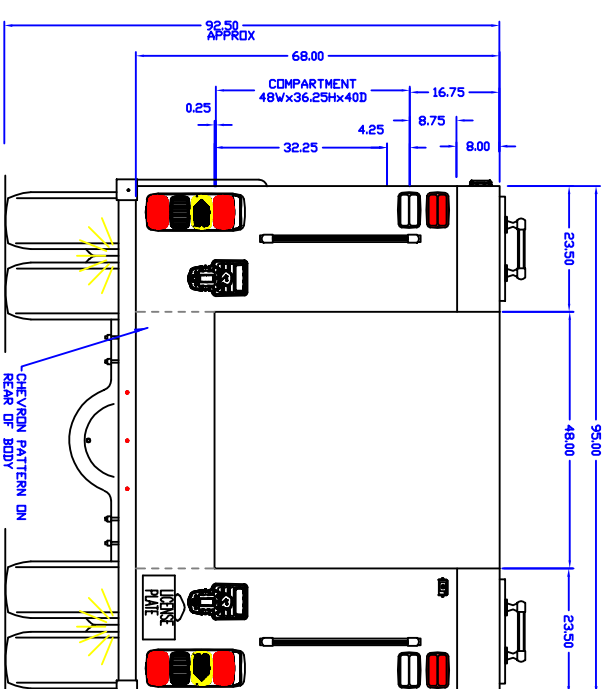
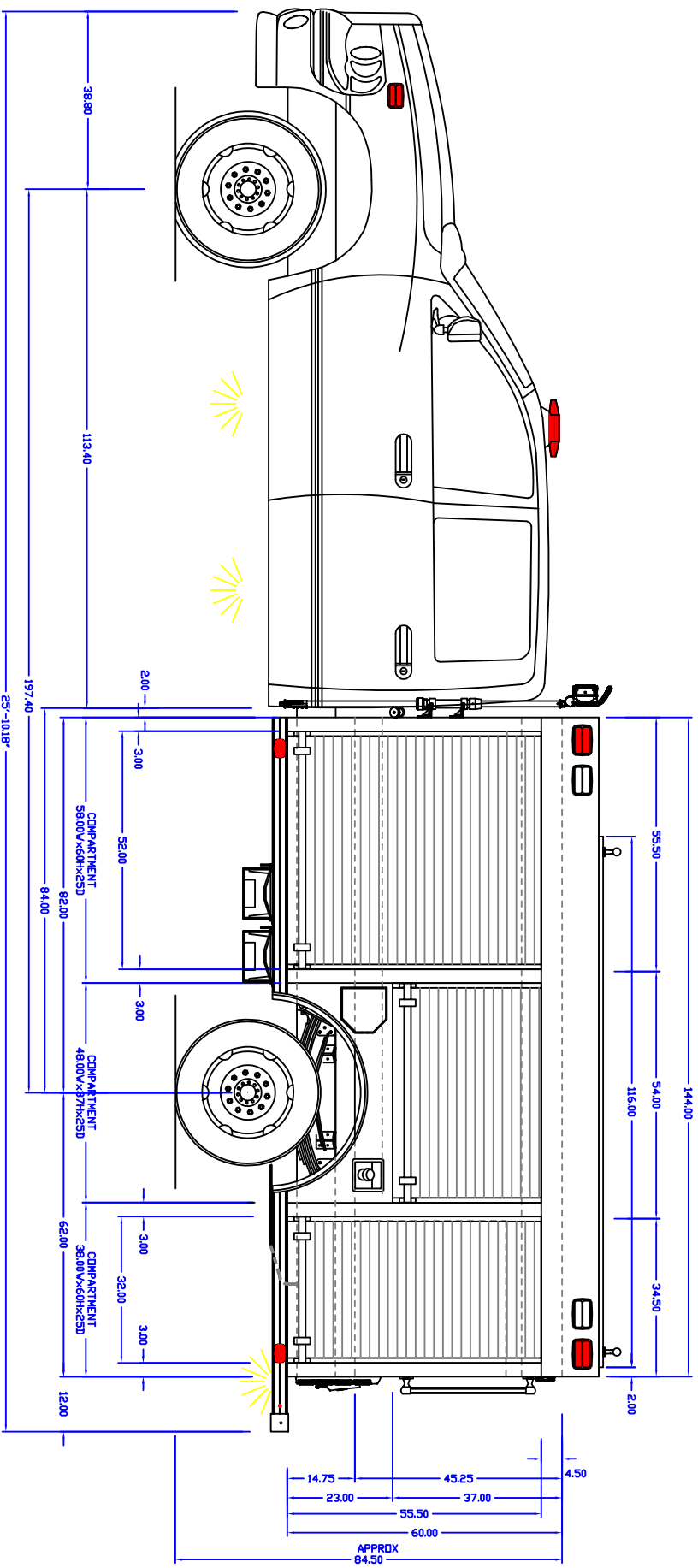


INITIALS: -
 JOB NUMBER: 42603
 DATE: -

MAIN FILE: -
 DEPT: -
 DEALER: -

PRODUCTION APPROVED



- NOTES:
- OVERALL HEIGHT IS IN LOADED CONDITION. UNLOADED HEIGHTS MAY BE 4" ABOVE HEIGHTS SHOWN.
 - DO NOT SCALE DRAWING.
 - ALL DIMENSIONS ARE APPROXIMATE AND SUBJECT TO ENGINEERING CHANGES.
 - DRAWING MAY OR MAY NOT SHOW ALL ITEMS AS DESCRIBED IN THE WRITTEN DETAIL SPECIFICATIONS.
 - INCLUSION OF AN ITEM ON THE DRAWING DOES NOT CONSTITUTE INCLUSION OF THAT ITEM WITH THE FINAL DELIVERED UNIT.
 - THE EFFECTIVE DOOR OPENINGS WILL BE APPROX. 2" LESS THAN THE NOTED COMPARTMENT OPENING FOR ROLL UP DOORS AND UP TO APPROX. 4" LESS FOR HINGED DOORS

REVISED: -	DATE: -
DRAWN: BPC	DATE: 11/17/2021
PROPRIETARY AND CONFIDENTIAL THE CONTENT OF THIS DRAWING IS THE SOLE PROPERTY OF ROSENBAUER REPRODUCTION IN PART OR AS A WHOLE WITHOUT THE WRITTEN PERMISSION OF ROSENBAUER IS PROHIBITED.	
COMP INTERIOR:	SWIRL
MAXIMUM HEIGHT	NONE
MAXIMUM LENGTH	NONE
BODY WIDTH	98"

APPROVED BY:	
CHASSIS:	DODGE
PUMP:	NONE
TANK:	NONE
PANEL MATL:	NONE

STOCK DODGE

