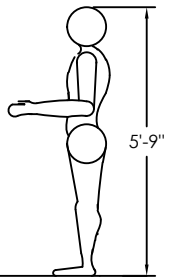
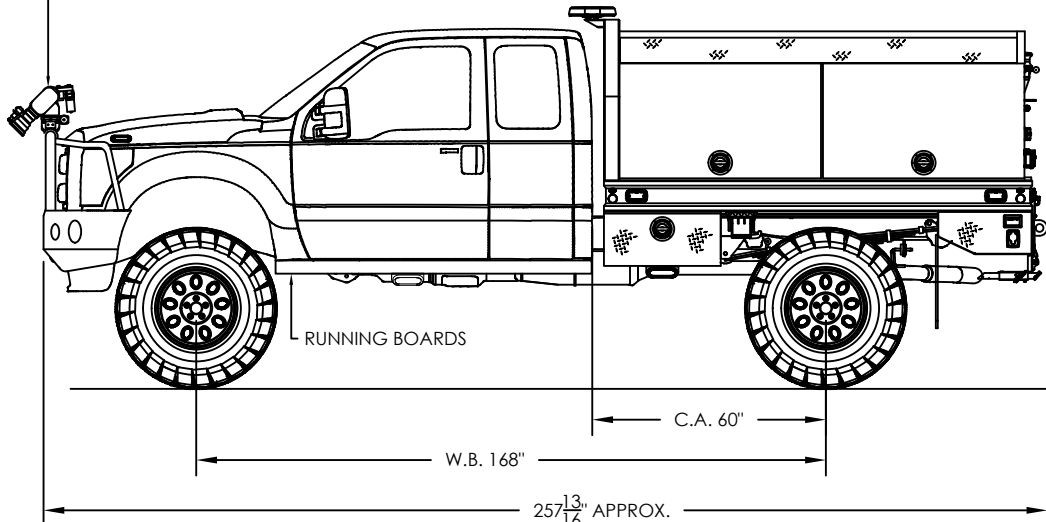
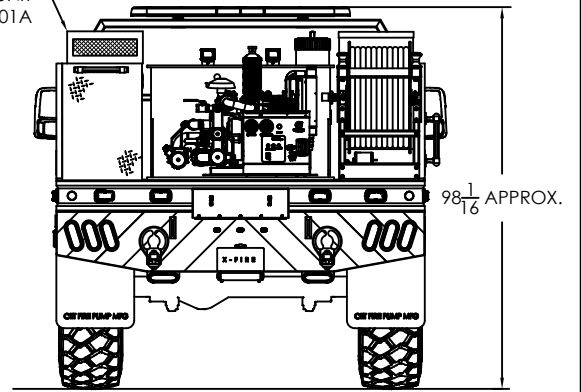


RANCH HAND SPORT BUMPER WITH M12 WARN WINCH  
 W/ FORESTRY MONITOR #3462  
 W/ NOZZLE #3293



FLATBED UNIT  
 SEE DRAWING: FA-1626-0701A



CREATED BY: C.B. DATE: 2019-11-11 VERIFIED BY: A.B. DATE: 2019-11-11	TITLE : C.E.T. BRUSH TRUCK - ENTERPRISE VOLUNTEER RESCUE, AL (2ND TRUCK) W/ FORD F550 DIESEL, 2020 EXTENDED CHASSIS CAB, 4x4		WARNING THIS DOCUMENT REMAINS THE PROPERTY OF C.E.T. FIRE PUMPS MFG. ALL REPRODUCTION WITHOUT WRITTEN AGREEMENT FROM C.E.T. FIRE PUMPS MFG IS TOTALLY PROHIBITED.
	No: FA-1626B	PRODUCTION #: N/A	