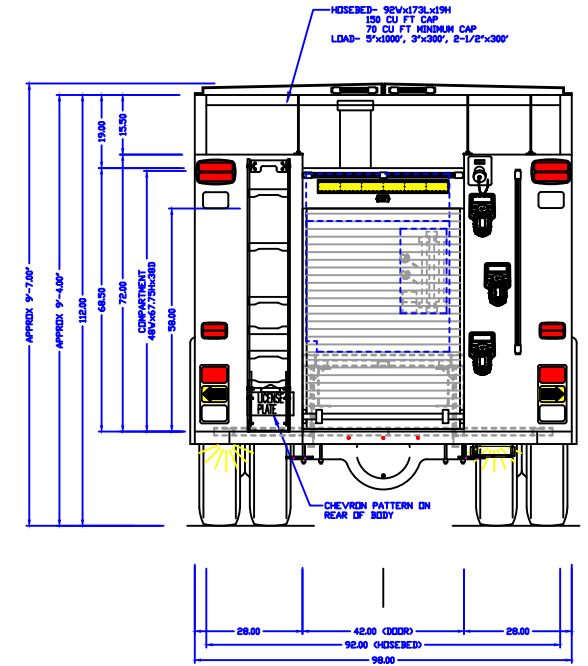
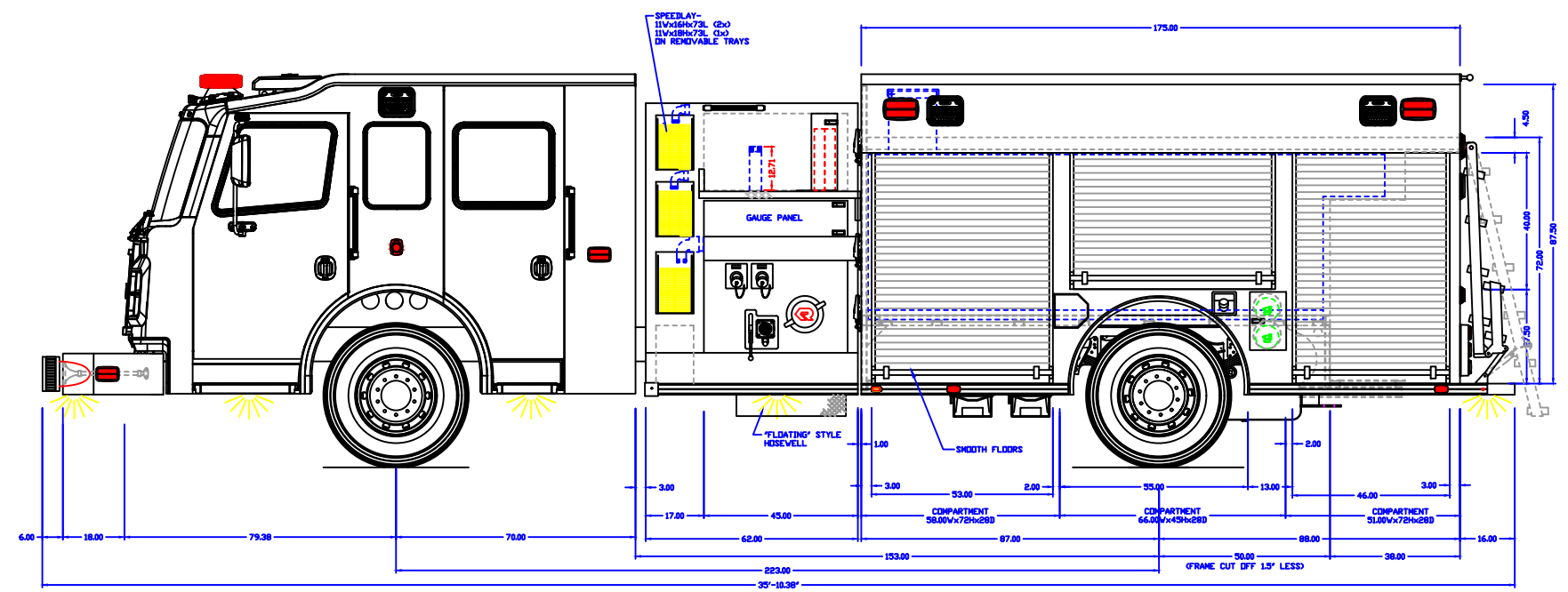
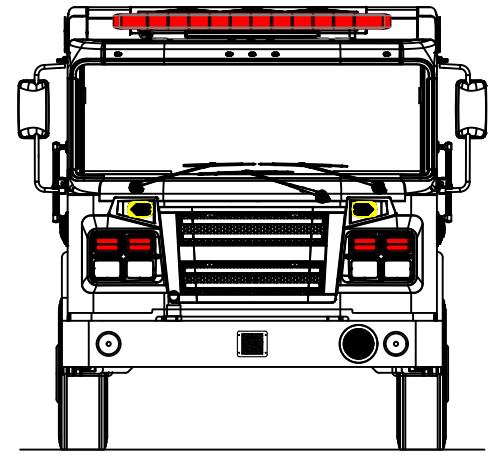
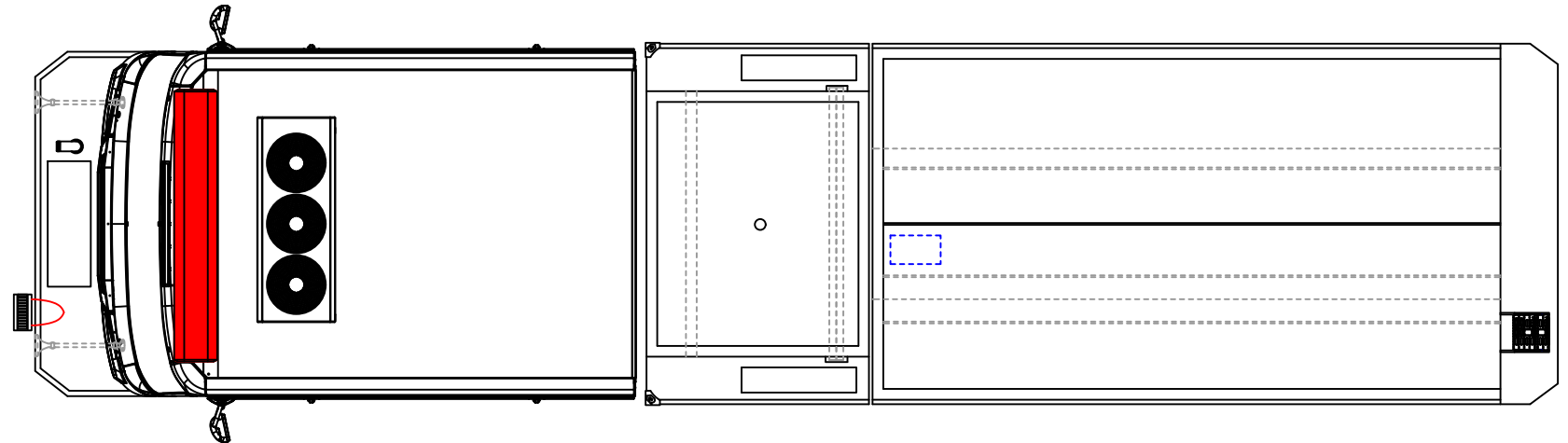


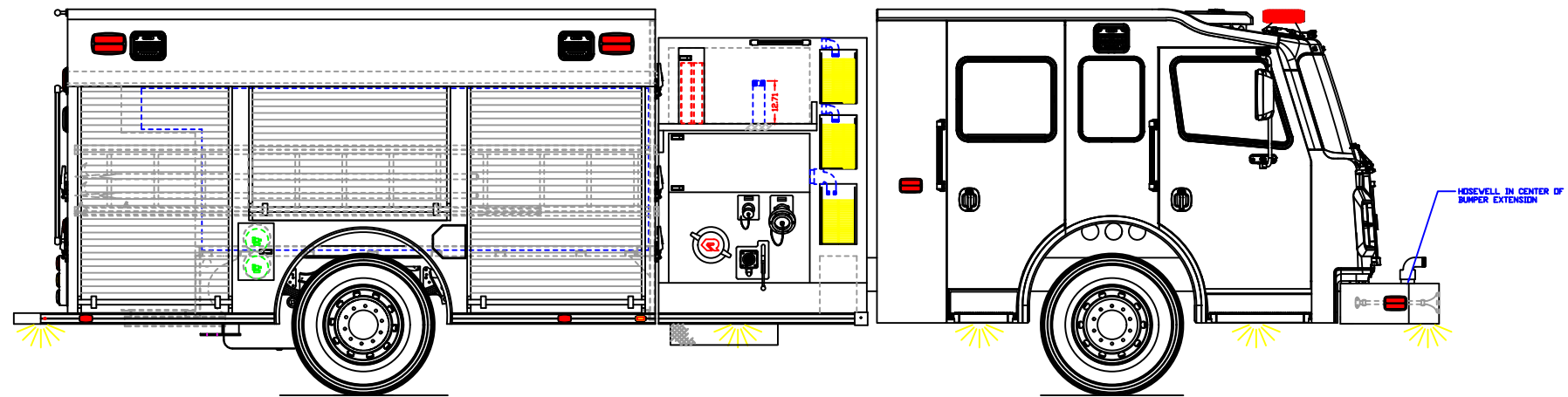
- NOTES:
1. OVERALL HEIGHT IS IN LOADED CONDITION. UNLOADED HEIGHTS MAY BE 4" ABOVE HEIGHTS SHOWN.
 2. DO NOT SCALE DRAWING.
 3. ALL DIMENSIONS ARE APPROXIMATE AND SUBJECT TO ENGINEERING CHANGES.
 4. DRAWING MAY OR MAY NOT SHOW ALL ITEMS AS DESCRIBED IN THE WRITTEN DETAIL SPECIFICATIONS.
 5. INCLUSION OF AN ITEM ON THE DRAWING DOES NOT CONSTITUTE INCLUSION OF THAT ITEM WITH THE FINAL DELIVERED UNIT.
 6. THE EFFECTIVE DOOR OPENINGS WILL BE APPROX. 2" LESS THAN THE NOTED COMPARTMENT OPENING FOR ROLL UP DOORS AND UP TO APPROX. 4" LESS FOR HINGED DOORS



INITIALS: EH
 JOB NUMBER: 19252
 DATE: 7/15/2024

MAIN FILE: -
 DEPT: -
 DEALER: -

PRODUCTION APPROVED



REV3:	EH	DATE: 7/15/24	RELEASED
REV2:	KA	DATE: 4/10/24	2ND SCRUB
REV1:	SRN	DATE: 2-6-24	W&B UPDATE
DRAWN:	BVZ	DATE: 10-3-23	

PROPRIETARY AND CONFIDENTIAL
 THE INFORMATION CONTAINED IN THIS DRAWING IS THE SOLE PROPERTY OF ROSENBAUER. ANY REPRODUCTION IN PART OR AS A WHOLE WITHOUT THE WRITTEN PERMISSION OF ROSENBAUER IS PROHIBITED.

APPROVED BY:	
CHASSIS:	WARRIOR 7008
PUMP:	WATEROUS 1500 GPM
TANK:	POLY/750
PANEL MATL:	LINE X
COMP INTERIOR:	SPATTER PAINT
MAXIMUM HEIGHT	9' 9"
MAXIMUM LENGTH	NONE
BODY WIDTH	98"

MINNEOLA FIRE DEPT., FL