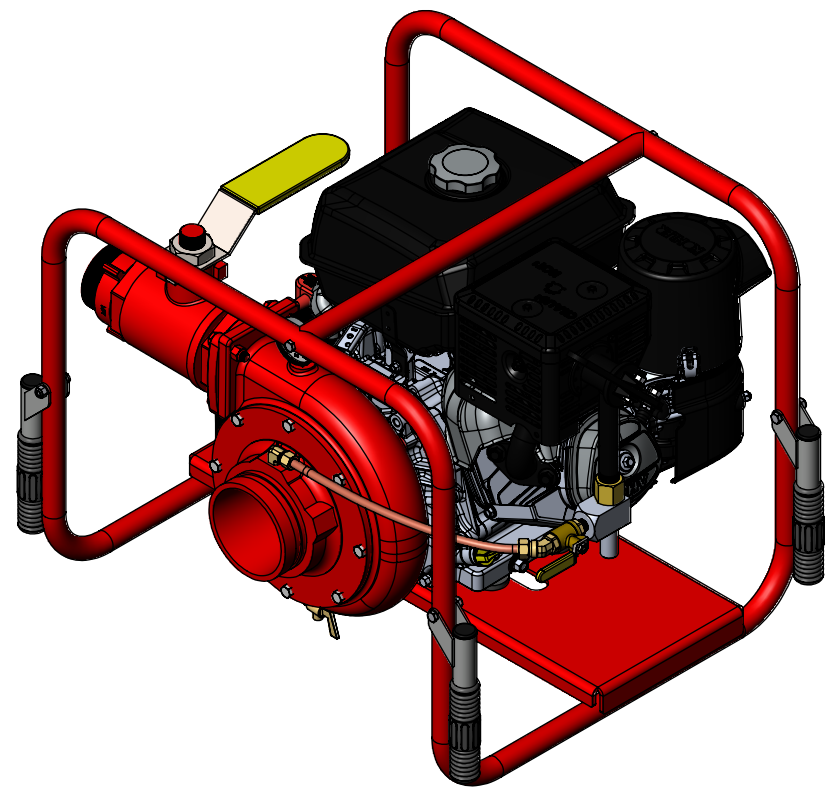
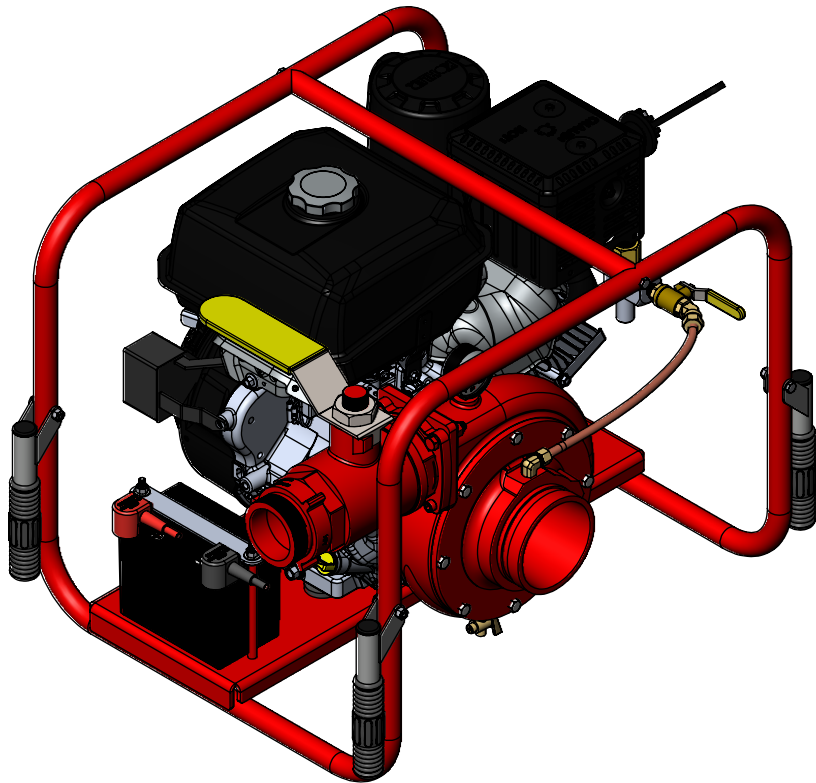
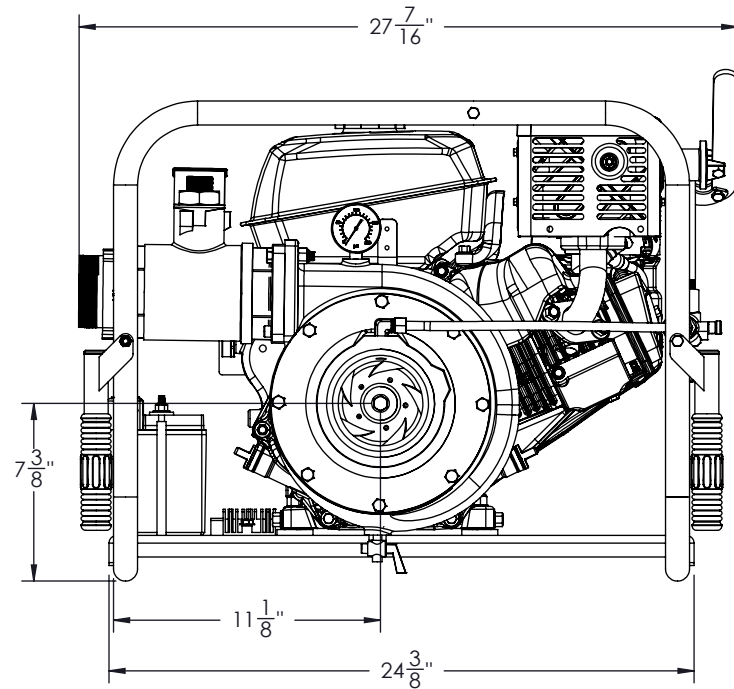
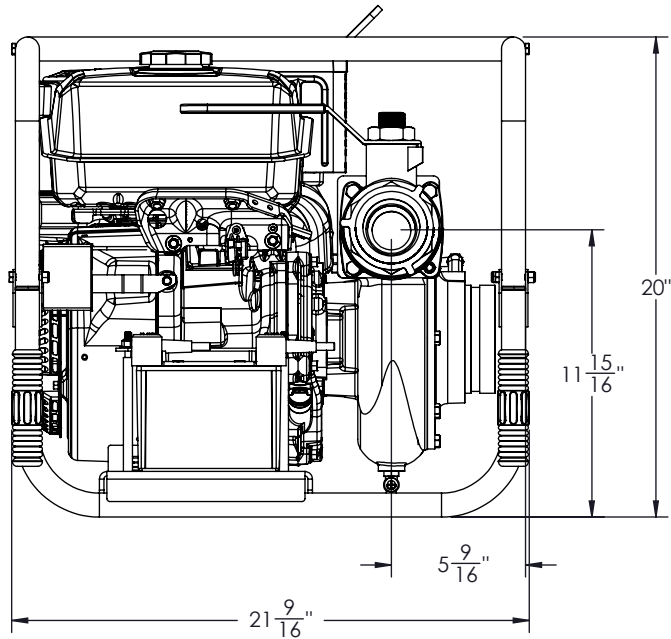


PORTABLE FIRE PUMP
PFP-14hpKHL-EM-1D
CH440 KOHLER WITH HIGH-VOLUME PUMP



WE CAN CUSTOMIZE AS YOU WANT



WET WEIGHT: 176Lbs



CREATED
BY: T.W.
DATE: 09-08-17

VERIFIED
BY: M.P.
DATE: 10-08-17

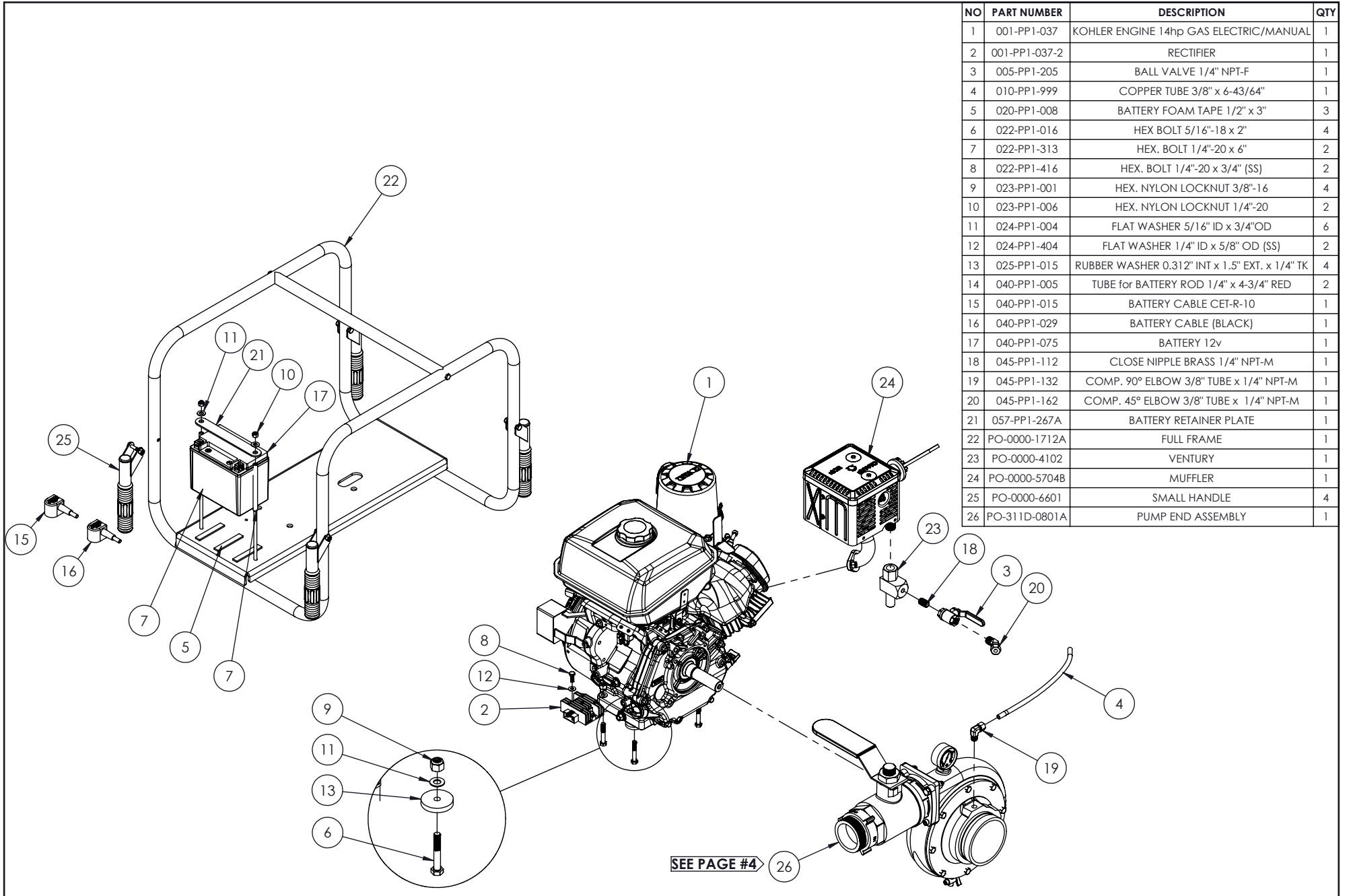
TITLE : PFP-14hpKHL-EM-1D
FULL FRAME

No: PO-311D-0701-B

WARNING

THIS DOCUMENT REMAINS THE PROPERTY OF C.E.T. FIRE PUMPS MFG.
ALL REPRODUCTION WITHOUT WRITTEN AGREEMENT FROM C.E.T. FIRE PUMPS MFG IS TOTALLY PROHIBITED.

REV.	DESCRIPTION	DATE	BY
B	CHANGEMENT TURBINE UNIVERSELLE	18-01-16	M.P.
A	Version A	01-01-16	M.P.



NO	PART NUMBER	DESCRIPTION	QTY
1	001-PP1-037	KOHLER ENGINE 14hp GAS ELECTRIC/MANUAL	1
2	001-PP1-037-2	RECTIFIER	1
3	005-PP1-205	BALL VALVE 1/4" NPT-F	1
4	010-PP1-999	COPPER TUBE 3/8" x 6-43/64"	1
5	020-PP1-008	BATTERY FOAM TAPE 1/2" x 3"	3
6	022-PP1-016	HEX BOLT 5/16"-18 x 2"	4
7	022-PP1-313	HEX. BOLT 1/4"-20 x 6"	2
8	022-PP1-416	HEX. BOLT 1/4"-20 x 3/4" (SS)	2
9	023-PP1-001	HEX. NYLON LOCKNUT 3/8"-16	4
10	023-PP1-006	HEX. NYLON LOCKNUT 1/4"-20	2
11	024-PP1-004	FLAT WASHER 5/16" ID x 3/4"OD	6
12	024-PP1-404	FLAT WASHER 1/4" ID x 5/8" OD (SS)	2
13	025-PP1-015	RUBBER WASHER 0.312" INT x 1.5" EXT. x 1/4" TK	4
14	040-PP1-005	TUBE for BATTERY ROD 1/4" x 4-3/4" RED	2
15	040-PP1-015	BATTERY CABLE CET-R-10	1
16	040-PP1-029	BATTERY CABLE (BLACK)	1
17	040-PP1-075	BATTERY 12v	1
18	045-PP1-112	CLOSE NIPPLE BRASS 1/4" NPT-M	1
19	045-PP1-132	COMP. 90° ELBOW 3/8" TUBE x 1/4" NPT-M	1
20	045-PP1-162	COMP. 45° ELBOW 3/8" TUBE x 1/4" NPT-M	1
21	057-PP1-267A	BATTERY RETAINER PLATE	1
22	PO-0000-1712A	FULL FRAME	1
23	PO-0000-4102	VENTURY	1
24	PO-0000-5704B	MUFFLER	1
25	PO-0000-6601	SMALL HANDLE	4
26	PO-311D-0801A	PUMP END ASSEMBLY	1

SEE PAGE #4



CREATED
BY: T.W.
DATE: 09-08-17

VERIFIED
BY: M.P.
DATE: 10-08-17

TITLE : PFP-14hpKHL-EM-1D
FULL FRAME

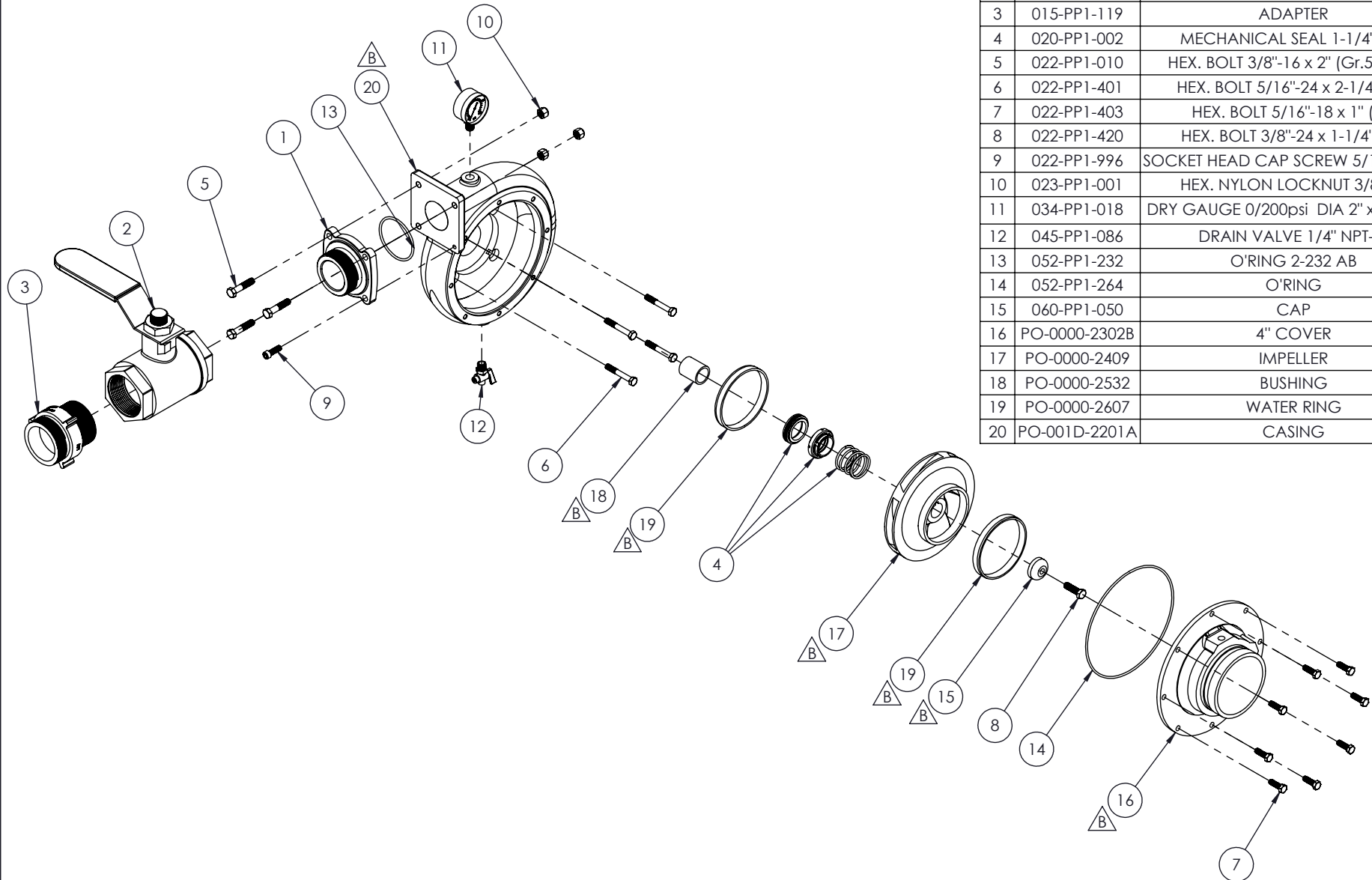
No: PO-311D-0701-B

WARNING

THIS DOCUMENT REMAINS THE PROPERTY OF C.E.T. FIRE PUMPS MFG.

ALL REPRODUCTION WITHOUT WRITTEN AGREEMENT FROM C.E.T. FIRE PUMPS MFG IS TOTALLY PROHIBITED.

REV.	DESCRIPTION	DATE	BY
B	CHANGEMENT TURBINE UNIVERSELLE	18-01-16	M.P.
A	Version A	01-01-16	M.P.



NO	PART NUMBER	DESCRIPTION	QTY
1	002-PP1-302	FLANGE 2-1/2" NPT-M	1
2	005-PP1-201	BALL VALVE 2-1/2" NPT-F	1
3	015-PP1-119	ADAPTER	1
4	020-PP1-002	MECHANICAL SEAL 1-1/4" (SS)	1
5	022-PP1-010	HEX. BOLT 3/8"-16 x 2" (Gr.5 ZINC)	3
6	022-PP1-401	HEX. BOLT 5/16"-24 x 2-1/4" (SS)	4
7	022-PP1-403	HEX. BOLT 5/16"-18 x 1" (SS)	8
8	022-PP1-420	HEX. BOLT 3/8"-24 x 1-1/4" (SS)	1
9	022-PP1-996	SOCKET HEAD CAP SCREW 5/16"-18 x 1"	1
10	023-PP1-001	HEX. NYLON LOCKNUT 3/8"-16	3
11	034-PP1-018	DRY GAUGE 0/200psi DIA 2" x 1/4CMB	1
12	045-PP1-086	DRAIN VALVE 1/4" NPT-M	1
13	052-PP1-232	O'RING 2-232 AB	1
14	052-PP1-264	O'RING	1
15	060-PP1-050	CAP	1
16	PO-0000-2302B	4" COVER	1
17	PO-0000-2409	IMPELLER	1
18	PO-0000-2532	BUSHING	1
19	PO-0000-2607	WATER RING	2
20	PO-001D-2201A	CASING	1



CREATED
 BY: M.P.
 DATE: 25-10-16
VERIFIED
 BY: M.P.
 DATE: 25-10-16

TITLE : PUMP END ASSEMBLY
 14hp KOHLER
No: PO-311D-0801A

WARNING
 THIS DOCUMENT REMAINS THE PROPERTY OF C.E.T. FIRE PUMPS MFG.
 ALL REPRODUCTION WITHOUT WRITTEN AGREEMENT FROM C.E.T. FIRE PUMPS MFG IS TOTALLY PROHIBITED.

REV.	DESCRIPTION	DATE	BY
B	CHANGEMENT TURBINE UNIVERSELLE	18-01-16	M.P.
A	Version A	01-01-16	M.P.