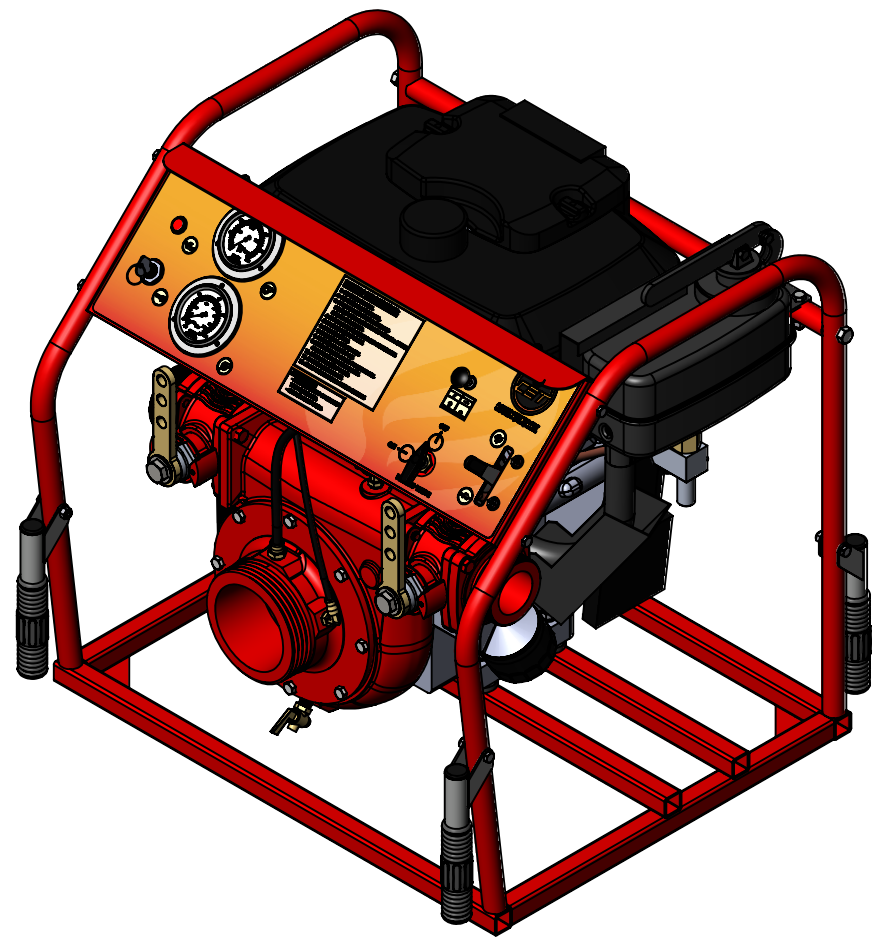
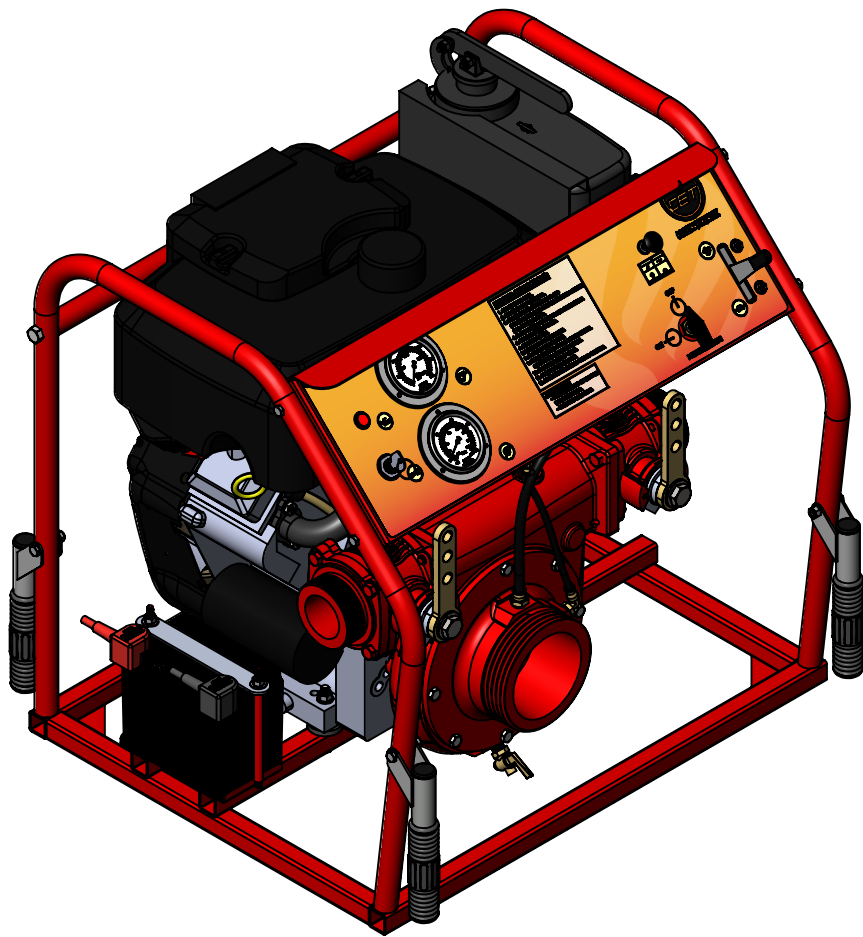
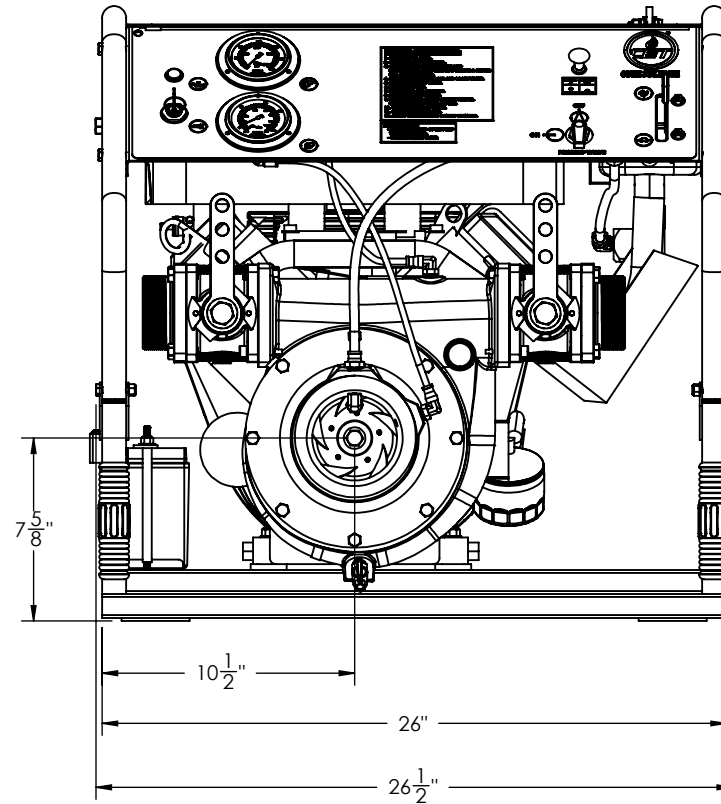
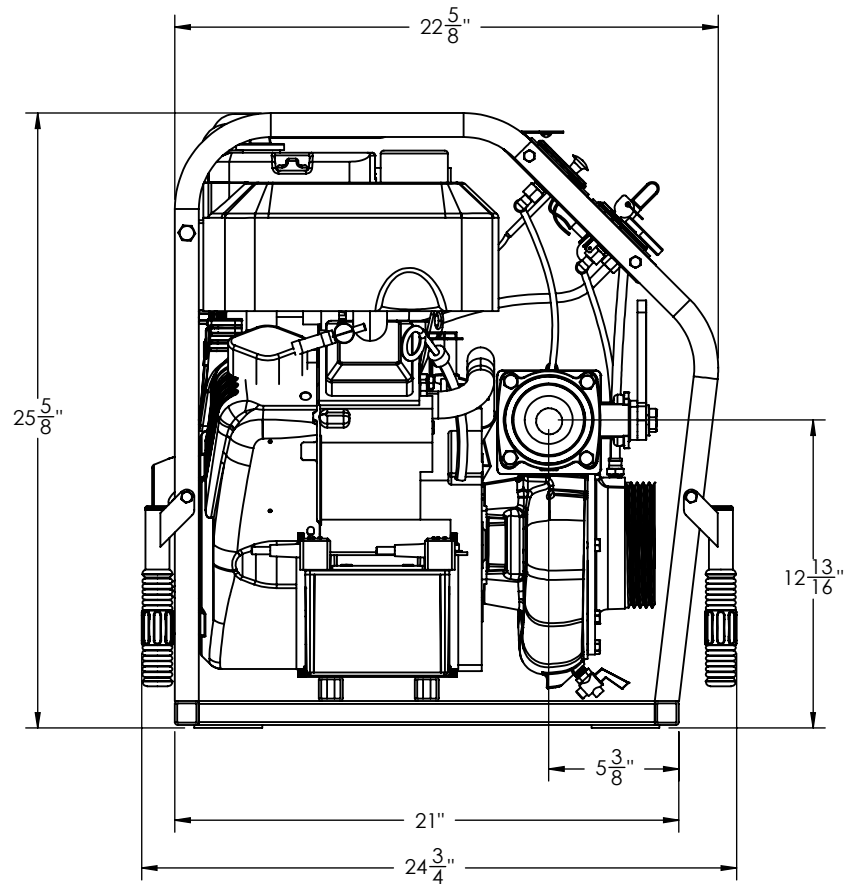


PORTABLE FIRE PUMP
PFP-23hpVGD-2D-CE
380000 VANGUARD ENGINE WITH HIGH VOLUME PUMP



WE CAN CUSTOMIZE AS YOU WANT



WET WEIGHT: 198 lbs



CREATED	TITLE : PFP-23hpVGD-2D-CE
BY: M.P.	FULL FRAME CE
DATE: 09-01-19	
VERIFIED	No: PO-462D-0704-A
BY: M.P.	
DATE: 09-01-19	

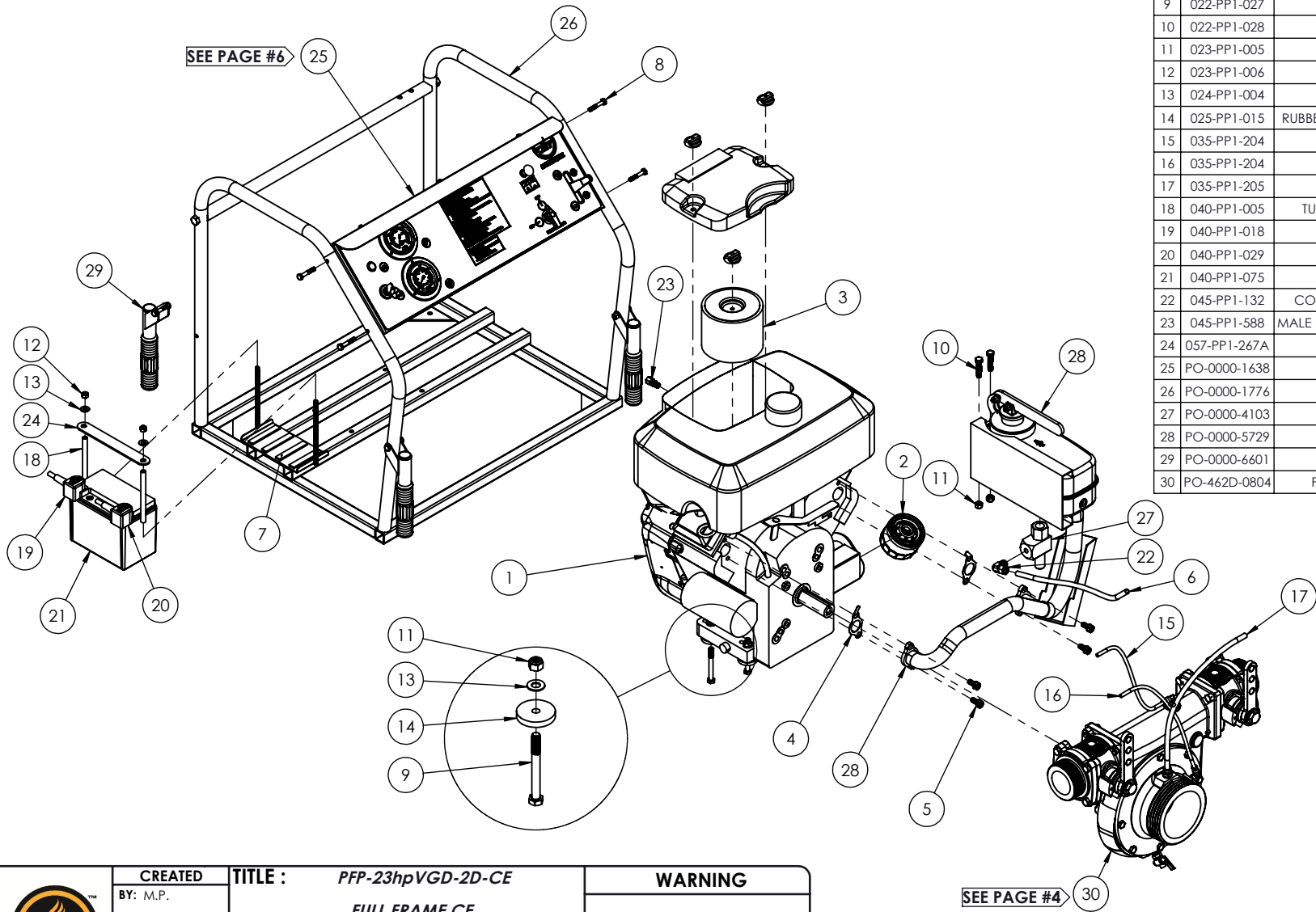
WARNING

THIS DOCUMENT REMAINS THE PROPERTY OF C.E.T. FIRE PUMPS MFG.

ALL REPRODUCTION WITHOUT WRITTEN AGREEMENT FROM C.E.T. FIRE PUMPS MFG IS TOTALLY PROHIBITED.

REV.	DESCRIPTION	DATE	BY

NO	PART NUMBER	DESCRIPTION	QTY
1	001-PP1-050	VANGUARD 18hp W/ INTEGRATED GAS TANK	1
2	003-PP1-097	OIL FILTER	1
3	003-PP1-103	AIR FILTER	1
4	003-PP1-127	EXHAUST FLANGE	2
5	003-PP1-128	EXHAUST BOLT	4
6	010-PP1-999	COPPER TUBE 3/8" x 13"	1
7	020-PP1-008	BATTERY FOAM TAPE 1/2" x 3"	4
8	022-PP1-008	HEX. BOLT 1/4"-20 x 1-1/2"	4
9	022-PP1-027	HEX. BOLT 5/16"-18 x 3"	4
10	022-PP1-028	HEX. BOLT 5/16"-18 x 1-1/2"	2
11	023-PP1-005	HEX. NYLON LOCK NUT 5/16"-18	6
12	023-PP1-006	HEX. NYLON LOCKNUT 1/4"-20	6
13	024-PP1-004	FLAT WASHER 5/16" ID x 3/4"OD	6
14	025-PP1-015	RUBBER WASHER 0.312" INT x 1.5" EXT. x 1/4" TK	4
15	035-PP1-204	HYDRAULIC HOSE 1/4" x 12"	1
16	035-PP1-204	HYDRAULIC HOSE 1/4" x 14"	1
17	035-PP1-205	HYDRAULIC HOSE 3/8" x 15"	1
18	040-PP1-005	TUBE for BATTERY ROD 1/4" x 4-3/4" RED	2
19	040-PP1-018	BATTERY CABLE (RED)	1
20	040-PP1-029	BATTERY CABLE (BLACK)	1
21	040-PP1-075	BATTERY 12v	1
22	045-PP1-132	COMP. 90° ELBOW 3/8" TUBE x 1/4" NPT-M	1
23	045-PP1-588	MALE PIPE CONNECTOR 1/4" TUBE x 1/8" NPT-M	1
24	057-PP1-267A	BATTERY RETAINER PLATE	1
25	PO-0000-1638	CONTROL PANEL	1
26	PO-0000-1776	FULL FRAME	1
27	PO-0000-4103	VENTURY	1
28	PO-0000-5729	MUFFLER	1
29	PO-0000-6601	SMALL HANDLE	4
30	PO-462D-0804	PUMP END ACCESSORIES ASSEMBLY	1



CREATED
BY: M.P.
DATE: 09-01-19

VERIFIED
BY: M.P.
DATE: 09-01-19

TITLE : PFP-23hpVGD-2D-CE
FULL FRAME CE

No: PO-462D-0704-A

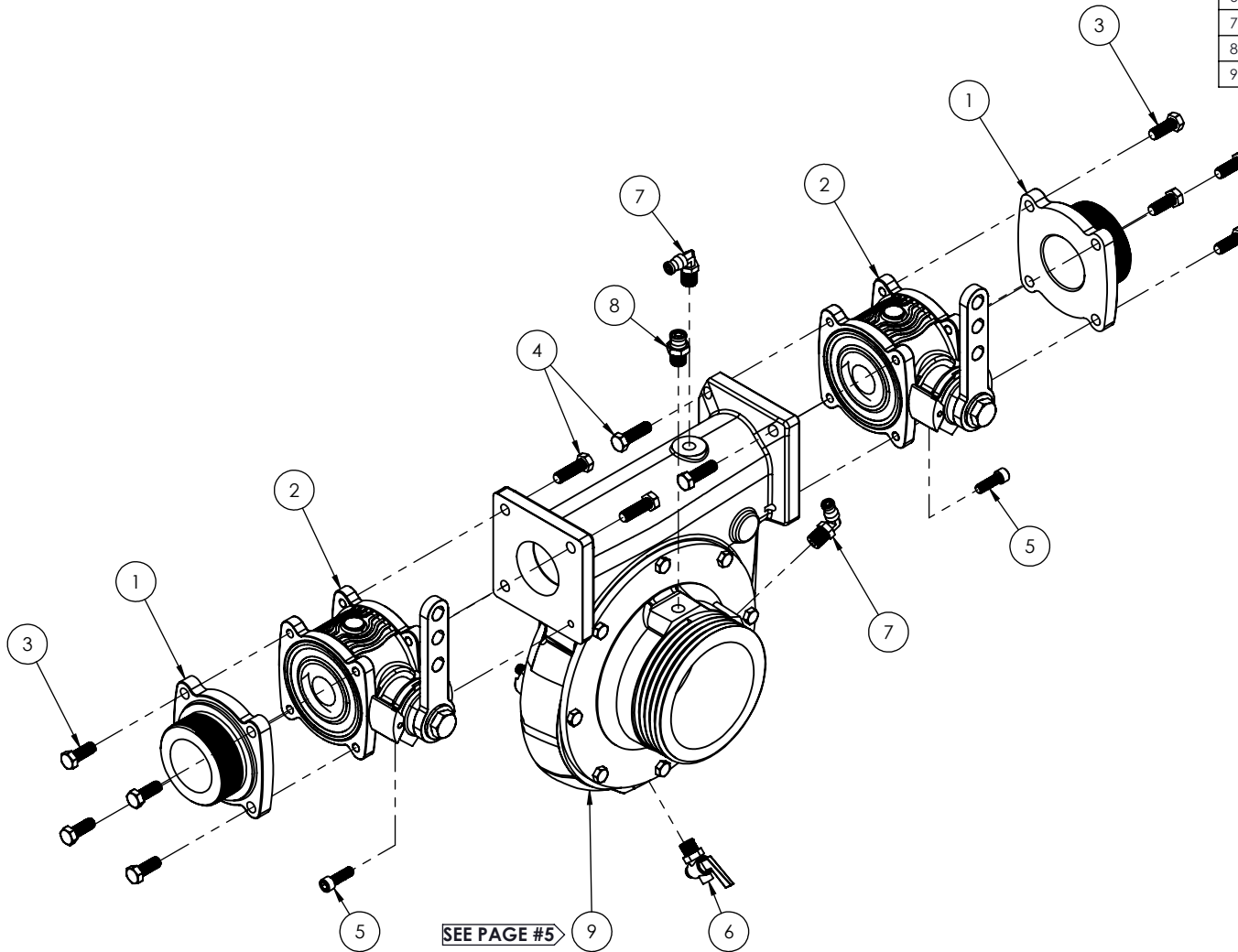
WARNING

THIS DOCUMENT REMAINS THE PROPERTY OF C.E.T. FIRE PUMPS MFG.

ALL REPRODUCTION WITHOUT WRITTEN AGREEMENT FROM C.E.T. FIRE PUMPS MFG IS TOTALLY PROHIBITED.

REV.	DESCRIPTION	DATE	BY

NO	PART NUMBER	DESCRIPTION	QTY
1	002-PP1-302	FLANGE 2-1/2" NH-M	2
2	005-PP1-012	FIRE GRADE VALVE 2"	2
3	022-PP1-003	HEX. BOLT 3/8-16 x 1"	8
4	022-PP1-004	HEX. BOLT 3/8"-16 x 1-1/4"	6
5	022-PP1-996	SOCKET HEAD CAP SCREW 5/16"-18 x 1"	2
6	045-PP1-086	DRAIN VALVE 1/4" NPT-M	1
7	045-PP1-288	SWIVEL 90 DEG. DOT 1/4" TO 1/4" NPT-M	2
8	045-PP1-356	CONNECTOR DOT 3/8" TUBE to 1/4" NPT-M	1
9	PO-002D-2103	PUMP END ASSEMBLY	1



SEE PAGE #5



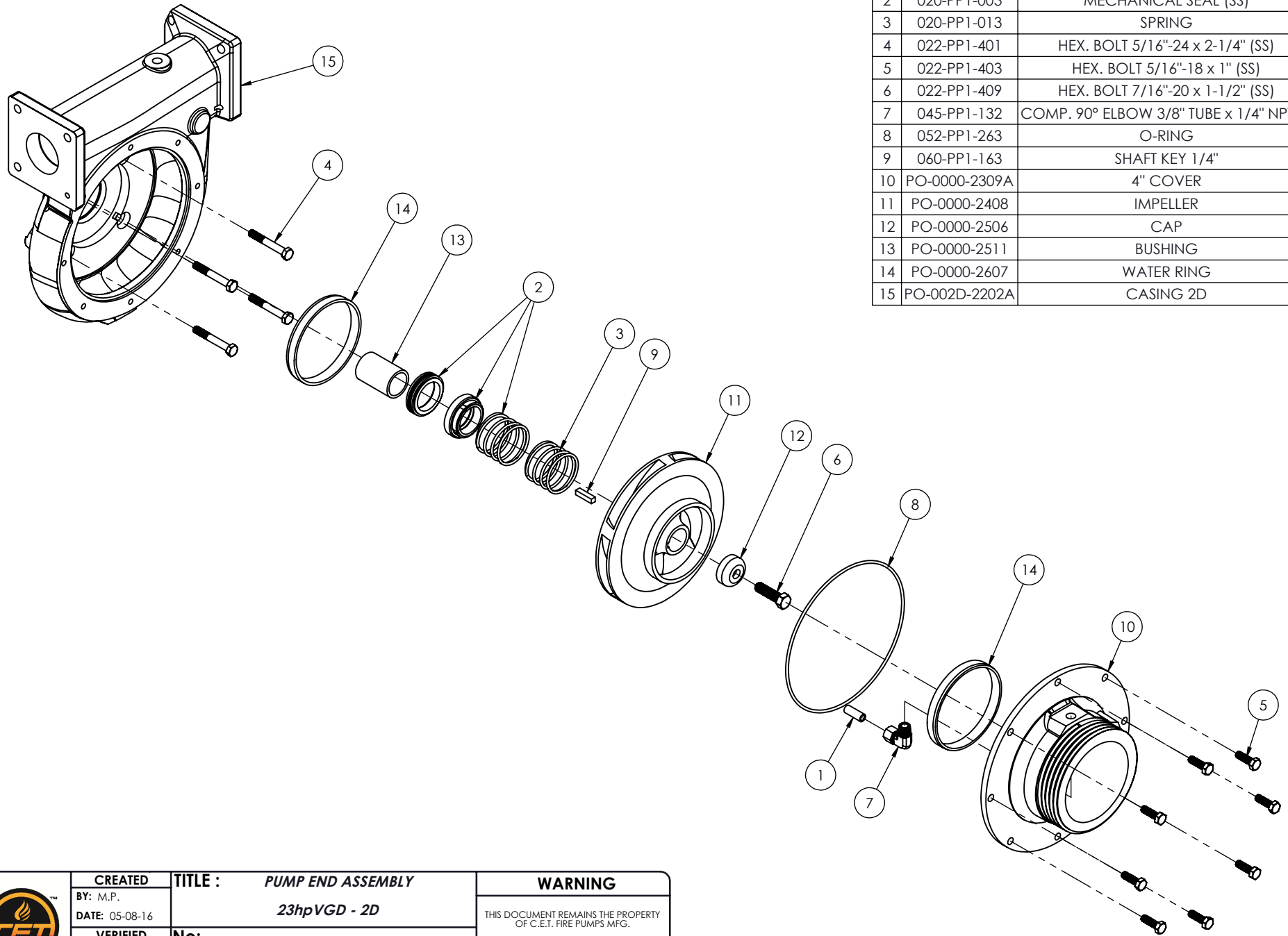
CREATED	TITLE : PUMP END ACCESSORIES ASSEMBLY
BY: M.P.	23hpVGD-2D-CE
DATE: 09-01-19	
VERIFIED	No:
BY: M.P.	PO-462D-0804
DATE: 09-01-19	

WARNING

THIS DOCUMENT REMAINS THE PROPERTY OF C.E.T. FIRE PUMPS MFG.

ALL REPRODUCTION WITHOUT WRITTEN AGREEMENT FROM C.E.T. FIRE PUMPS MFG IS TOTALLY PROHIBITED.

REV.	DESCRIPTION	DATE	BY



NO	PART NUMBER	DESCRIPTION	QTY
1	010-PP1-999	COPPER TUBE 3/8" x 1"	1
2	020-PP1-003	MECHANICAL SEAL (SS)	1
3	020-PP1-013	SPRING	1
4	022-PP1-401	HEX. BOLT 5/16"-24 x 2-1/4" (SS)	4
5	022-PP1-403	HEX. BOLT 5/16"-18 x 1" (SS)	8
6	022-PP1-409	HEX. BOLT 7/16"-20 x 1-1/2" (SS)	1
7	045-PP1-132	COMP. 90° ELBOW 3/8" TUBE x 1/4" NPT-M	1
8	052-PP1-263	O-RING	1
9	060-PP1-163	SHAFT KEY 1/4"	1
10	PO-0000-2309A	4" COVER	1
11	PO-0000-2408	IMPELLER	1
12	PO-0000-2506	CAP	1
13	PO-0000-2511	BUSHING	1
14	PO-0000-2607	WATER RING	2
15	PO-002D-2202A	CASING 2D	1



CREATED	TITLE :	PUMP END ASSEMBLY
BY: M.P.		
DATE: 05-08-16		23hpVGD - 2D
VERIFIED	No:	PO-002D-2103
BY: M.P.		
DATE: 05-08-16		

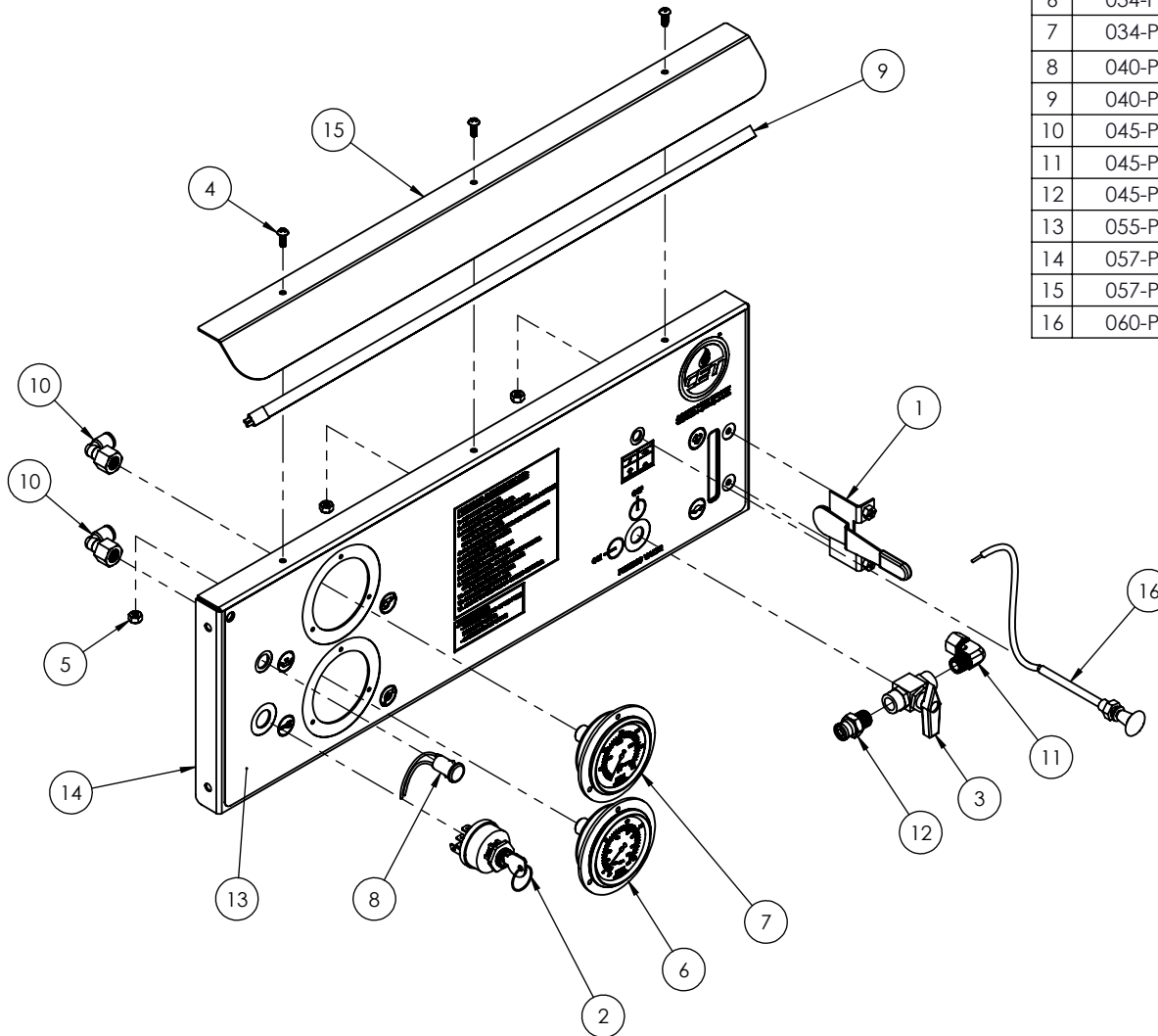
WARNING

THIS DOCUMENT REMAINS THE PROPERTY OF C.E.T. FIRE PUMPS MFG.

ALL REPRODUCTION WITHOUT WRITTEN AGREEMENT FROM C.E.T. FIRE PUMPS MFG IS TOTALLY PROHIBITED.

REV.	DESCRIPTION	DATE	BY

NO	PART NUMBER	DESCRIPTION	QTY
1	003-PP1-099	VANGUARD THROTTLE HANDLE	1
2	003-PP1-130	KEY SWITCH	1
3	005-PP1-208	BALL VALVE BRASS 1/4" NPT-F	1
4	022-PP1-991	MACHINE SCREW ROUND HEAD 10-24 x 1/2" (SS)	3
5	023-PP1-408	HEX. NYLON LOCKNUT 10-24 (SS)	3
6	034-PP1-004	MANOMETER -30 to 160psi	1
7	034-PP1-006	MANOMETER 0/300psi	1
8	040-PP1-419	OIL RED LIGHT 12v	1
9	040-PP1-510	22-1/2" FLEXIBLE LED	1
10	045-PP1-119	90 ELBOW 1/4" T x 1/4" NPT-F	2
11	045-PP1-132	COMP. 90° ELBOW 3/8" TUBE x 1/4" NPT-M	1
12	045-PP1-356	CONNECTOR DOT 3/8" TUBE to 1/4" NPT-M	1
13	055-PP1-116	STICKER	1
14	057-PP1-407	CONTROL PANEL	1
15	057-PP1-408	LIGHT BRACKET	1
16	060-PP1-045	CHOKE CABLE	1



CREATED	TITLE :	CONTROL PANEL
BY: M.P.		
DATE: 09-01-19		18hpVGD CE
VERIFIED	No:	PO-0000-1638
BY: M.P.		
DATE: 09-01-19		

WARNING

THIS DOCUMENT REMAINS THE PROPERTY OF C.E.T. FIRE PUMPS MFG.

ALL REPRODUCTION WITHOUT WRITTEN AGREEMENT FROM C.E.T. FIRE PUMPS MFG IS TOTALLY PROHIBITED.

REV.	DESCRIPTION	DATE	BY