

INTRODUCTION

Thank you for purchasing a Honda engine. We want to help you to get the best results from your new engine and to operate it safely. This manual contains information on how to do that; please read it carefully before operating the engine. If a problem should arise, or if you have any questions about your engine, consult an authorized Honda servicing dealer.

All information in this publication is based on the latest product information available at the time of printing. Honda Motor Co., Ltd. reserves the right to make changes at any time without notice and without incurring any obligation. No part of this publication may be reproduced without written permission.


This manual should be considered a permanent part of the engine and should remain with the engine if resold.

Review the instructions provided with the equipment powered by this engine for any additional information regarding engine startup, shutdown, operation, adjustments or any special maintenance instructions.


United States, Puerto Rico, and U.S. Virgin Islands:
We suggest you read the warranty policy to fully understand its coverage and your responsibilities of ownership. The warranty policy is a separate document that should have been given to you by your dealer.


SAFETY MESSAGES


Your safety and the safety of others are very important. We have provided important safety messages in this manual and on the engine. Please read these messages carefully.

A safety message alerts you to potential hazards that could hurt you or others. Each safety message is preceded by a safety alert symbol  and one of three words, DANGER, WARNING, or CAUTION.

These signal words mean:

 **DANGER** You WILL be KILLED or SERIOUSLY HURT if you don't follow instructions.

 **WARNING** You CAN be KILLED or SERIOUSLY HURT if you don't follow instructions.


 **CAUTION** You CAN be HURT if you don't follow instructions.

Each message tells you what the hazard is, what can happen, and what you can do to avoid or reduce injury.

DAMAGE PREVENTION MESSAGES

You will also see other important messages that are preceded by the word NOTICE.

This word means:

 **NOTICE** Your engine or other property can be damaged if you don't follow instructions.

The purpose of these messages is to help prevent damage to your engine, other property, or the environment.

©2014 Honda Motor Co., Ltd. -All Rights Reserved

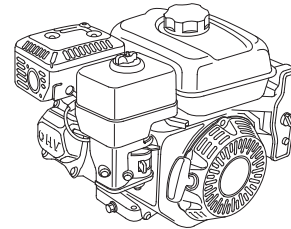
37Z4M601
00X37-Z4M-6010

GX120UT2-GX160UT2-GX200UT2
-GX120RT2-GX160RT2-GX200RT2

HONDA

OWNER'S MANUAL MANUEL DE L'UTILISATEUR MANUAL DEL PROPIETARIO

GX120 • GX160 • GX200



WARNING:

The engine exhaust from this product contains chemicals known to the State of California to cause cancer, birth defects or other reproductive harm.

California Proposition 65

This product contains or emits chemicals known to the state of California to cause cancer, birth defects or other reproductive harm

CONTENTS

INTRODUCTION	1	SEDIMENT CUP	12
SAFETY MESSAGES	1	SPARK PLUG	12
SAFETY INFORMATION.....	2	SPARK ARRESTER	13
SAFETY LABEL LOCATIONS.....	2	IDLE SPEED	13
COMPONENT & CONTROL LOCATIONS	3	HELPFUL TIPS & SUGGESTIONS	13
FEATURES	3	STORING YOUR ENGINE	13
BEFORE OPERATION CHECKS	4	TRANSPORTING	14
OPERATION	4	TAKING CARE OF UNEXPECTED PROBLEMS.....	15
SAFE OPERATING PRECAUTIONS	4	FUSE REPLACEMENT	15
STARTING THE ENGINE.....	4	TECHNICAL INFORMATION.....	16
STOPPING THE ENGINE	6	Serial Number Location	16
SETTING ENGINE SPEED	6	Battery Connections for Electric Starter.....	16
SERVICING YOUR ENGINE.....	7	Remote Control Linkage	16
THE IMPORTANCE OF MAINTENANCE.....	7	Carburetor Modifications for High Altitude Operation	17
MAINTENANCE SAFETY	7	Emission Control System Information	17
SAFETY PRECAUTIONS.....	7	Air Index.....	18
MAINTENANCE SCHEDULE	7	Specifications.....	18
REFUELING.....	8	Tuneup Specifications	19
ENGINE OIL	8	Quick Reference Information	19
Recommended Oil.....	8	Wiring Diagrams	19
Oil Level Check.....	9	CONSUMER INFORMATION ...	20
Oil Change.....	9	Warranty and Distributor/ Dealer Locator	20
REDUCTION CASE OIL	9	Information	20
Recommended Oil.....	9	Customer Service Information	20
Oil Level Check.....	9		
Oil Change.....	10		
AIR CLEANER	10		
Inspection.....	10		
Cleaning.....	11		

ENGLISH

FRANÇAIS

ESPAÑOL

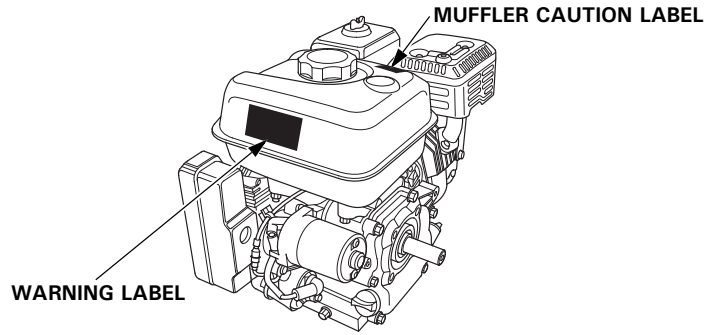
SAFETY INFORMATION

- Understand the operation of all controls and learn how to stop the engine quickly in case of emergency. Make sure the operator receives adequate instruction before operating the equipment.
- Do not allow children to operate the engine. Keep children and pets away from the area of operation.
- Your engine's exhaust contains poisonous carbon monoxide. Do not run the engine without adequate ventilation, and never run the engine indoors.
- The engine and exhaust become very hot during operation. Keep the engine at least 1 meter (3 feet) away from buildings and other equipment during operation. Keep flammable materials away, and do not place anything on the engine while it is running.

SAFETY LABEL LOCATIONS

These labels warn you of potential hazards that can cause serious injury. Read them carefully.

If a label comes off or becomes hard to read, contact your Honda servicing dealer for a replacement label.



WARNING LABEL	For EU	Except EU
<p>Thai Honda Mfg. Co., Ltd. MADE IN THAILAND</p>	attached to product	supplied with product
<p>▲ WARNING Gasoline is highly flammable and explosive. Turn engine off and let cool before refueling. The engine emits toxic carbon monoxide. Do not run in an enclosed area. Read Owner's Manual before operation. Thai Honda Mfg. Co., Ltd. MADE IN THAILAND</p>	supplied with product	attached to product
<p>▲ ATTENTION L'essence est très inflammable et explosive. Arrêter le moteur et le laisser refroidir avant de faire le plein d'essence. Le moteur produit les vapeurs nocives de monoxyde de carbone. Ne pas utiliser dans un local clos. Lire le manuel de propriétaire avant l'utilisation. Thai Honda Mfg. Co., Ltd. MADE IN THAILAND</p>	supplied with product	supplied with product
MUFFLER CAUTION LABEL	For EU	Except EU
	not included	supplied with product
<p>▲ CAUTION HOT MUFFLER CAN BURN YOU. Stay away if engine has been running.</p>	supplied with product	attached to product
<p>▲ ATTENTION L'ECHAPPEMENT CHAUD PEUT VOUS BRULER. S'ELOIGNER QUAND LE MOTEUR FONCTIONNE.</p>	supplied with product	supplied with product



Gasoline is highly flammable and explosive. Stop the engine and let cool before refueling.



The engine emits toxic poisonous carbon monoxide gas. Do not run in an enclosed area.

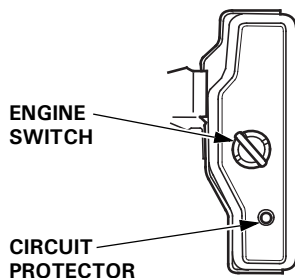
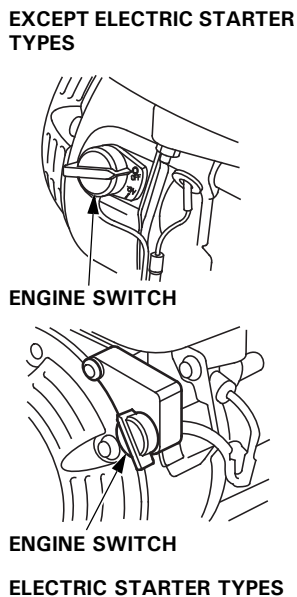
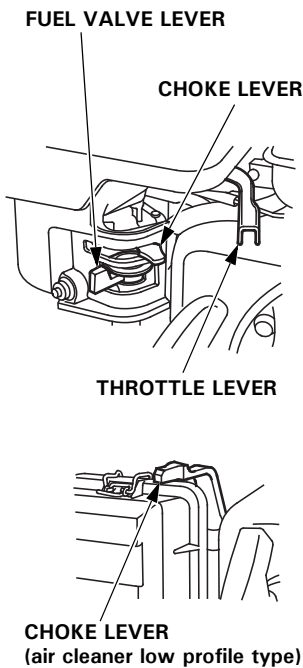
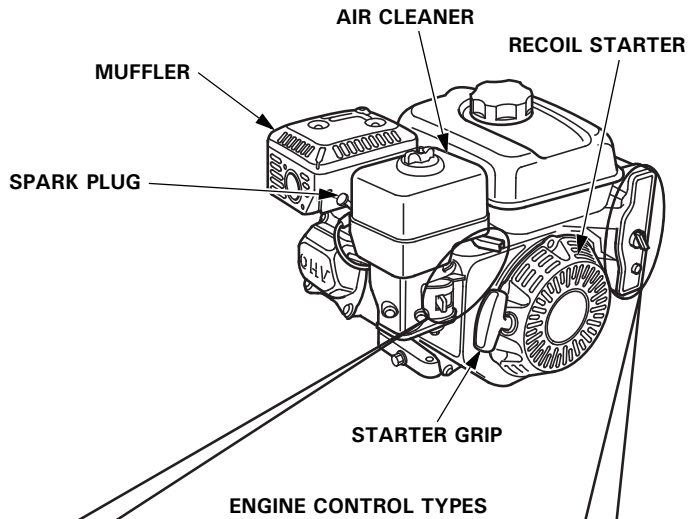
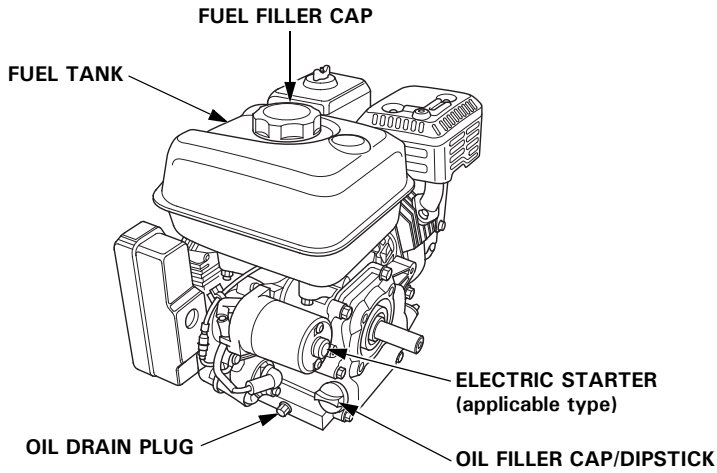


Read Owner's Manual before operation.



Hot muffler can burn you. Stay away if engine has been running.

COMPONENT & CONTROL LOCATIONS



FEATURES

OIL ALERT® SYSTEM (applicable types)

“Oil Alert is a registered trademark in the United States”

The Oil Alert system is designed to prevent engine damage caused by an insufficient amount of oil in the crankcase. Before the oil level in the crankcase can fall below a safe limit, the Oil Alert system will automatically stop the engine (the engine switch will remain in the ON position).

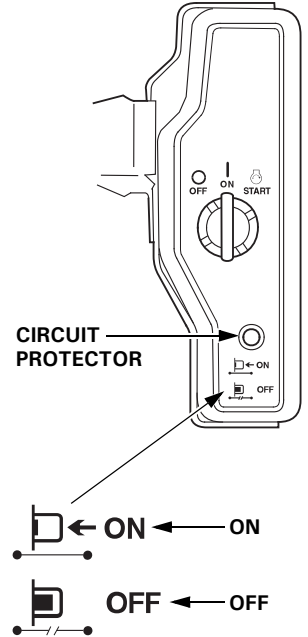
If the engine stops and will not restart, check the engine oil level (see page 9) before troubleshooting in other areas.

CIRCUIT PROTECTOR (applicable types)

The circuit protector protects the battery charging circuit. A short circuit, or a battery connected with reverse polarity, will trip the circuit protector.

The green indicator inside the circuit protector will pop out to show that the circuit protector has switched off. If this occurs, determine the cause of the problem, and correct it before resetting the circuit protector.

Push the circuit protector button to reset.



BEFORE OPERATION CHECKS

IS YOUR ENGINE READY TO GO?

For your safety, to ensure compliance with environmental regulations, and to maximize the service life of your equipment, it is very important to take a few moments before you operate the engine to check its condition. Be sure to take care of any problem you find, or have your servicing dealer correct it, before you operate the engine.

⚠ WARNING

Improperly maintaining this engine, or failure to correct a problem before operation, can cause a malfunction in which you can be seriously hurt or killed.

Always perform a pre-operation inspection before each operation, and correct any problem.

Before beginning your pre-operation checks, be sure the engine is level and the engine switch is in the OFF position.

Always check the following items before you start the engine:

Check the General Condition of the Engine

1. Look around and underneath the engine for signs of oil or gasoline leaks.
2. Remove any excessive dirt or debris, especially around the muffler and recoil starter.
3. Look for signs of damage.
4. Check that all shields and covers are in place, and all nuts, bolts, and screws are tightened.

Check the Engine

1. Check the fuel level (see page 8). Starting with a full tank will help to eliminate or reduce operating interruptions for refueling.
2. Check the engine oil level (see page 9). Running the engine with a low oil level can cause engine damage.

The Oil Alert system (applicable types) will automatically stop the engine before the oil level falls below safe limits. However, to avoid the inconvenience of an unexpected shutdown, always check the engine oil level before startup.

3. Check the reduction case oil level on applicable types (see page 9). Oil is essential to reduction case operation and long life.
4. Check the air filter element (see page 10). A dirty air filter element will restrict air flow to the carburetor, reducing engine performance.
5. Check the equipment powered by this engine.

Review the instructions provided with the equipment powered by this engine for any precautions and procedures that should be followed before engine startup.

OPERATION

SAFE OPERATING PRECAUTIONS

Before operating the engine for the first time, please review the *SAFETY INFORMATION* section on page 2 and the *BEFORE OPERATION CHECKS* on page 4.

For your safety, do not operate the engine in an enclosed area such as a garage. Your engine's exhaust contains poisonous carbon monoxide gas that can collect rapidly in an enclosed area and cause illness or death.

⚠ WARNING

Exhaust contains poisonous carbon monoxide gas that can build up to dangerous levels in closed areas. Breathing carbon monoxide can cause unconsciousness or death.

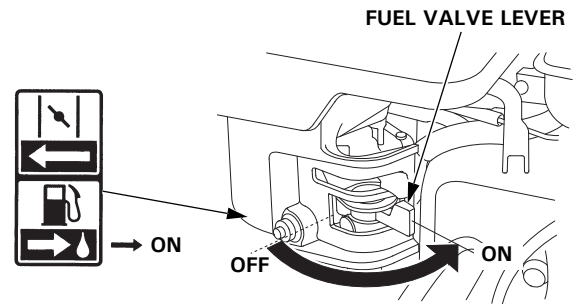
Never run the engine in a closed, or even partly closed area where people may be present.

Review the instructions provided with the equipment powered by this engine for any safety precautions that should be observed with engine startup, shutdown, or operation.

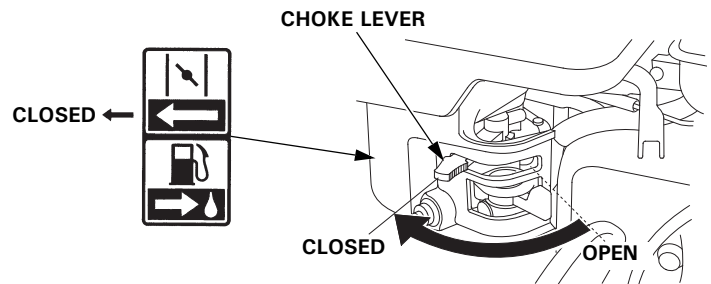
Do not operate the engine on slopes greater than 20° (36%).

STARTING THE ENGINE

1. Move the fuel valve lever to the ON position.



2. To start a cold engine, move the choke lever to the CLOSED position.

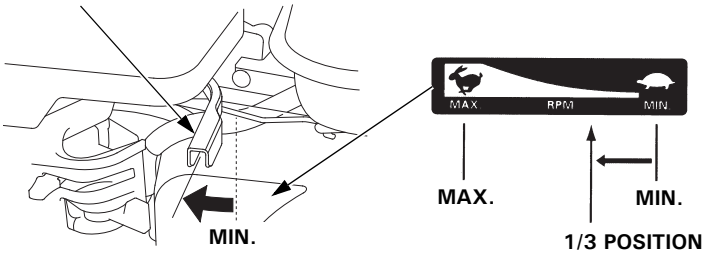


To restart a warm engine, leave the choke lever in the OPEN position.

Some engine applications use a remote-mounted choke control rather than the engine-mounted choke lever shown here. Refer to the instructions provided by the equipment manufacturer.

3. Move the throttle lever away from the MIN. position, about 1/3 of the way toward the MAX. position.

THROTTLE LEVER

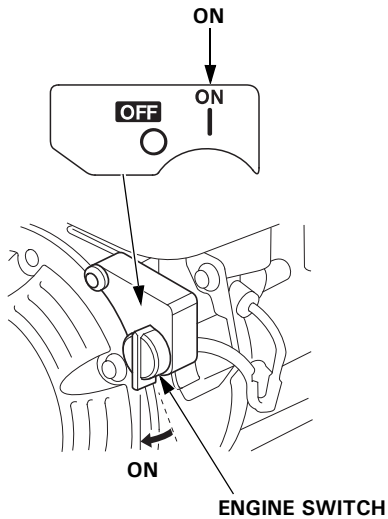
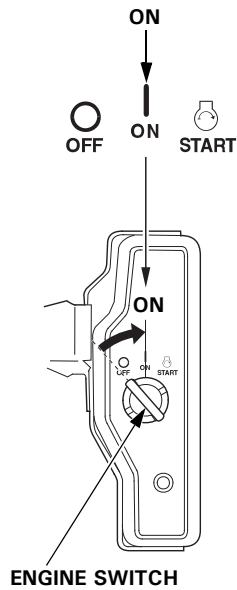
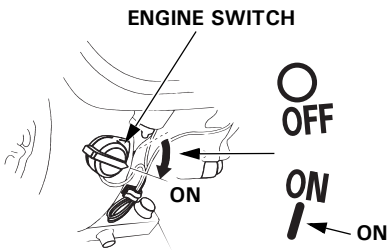


Some engine applications use a remote-mounted throttle control rather than the engine-mounted throttle lever shown here. Refer to the instructions provided by the equipment manufacturer.

4. Turn the engine switch to the ON position.

EXCEPT ELECTRIC STARTER TYPES

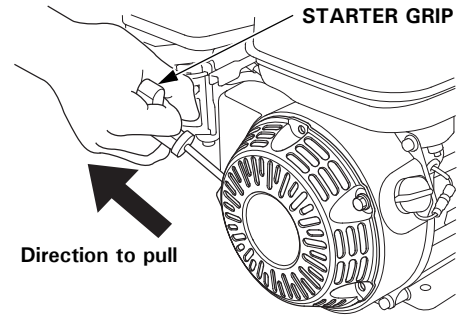
ELECTRIC STARTER TYPES



5. Operate the starter.

RECOIL STARTER:

Pull the starter grip lightly until you feel resistance, then pull briskly in the direction of the arrow as shown below. Return the starter grip gently.



NOTICE

Do not allow the starter grip to snap back against the engine. Return it gently to prevent damage to the starter.

ELECTRIC STARTER (applicable types):

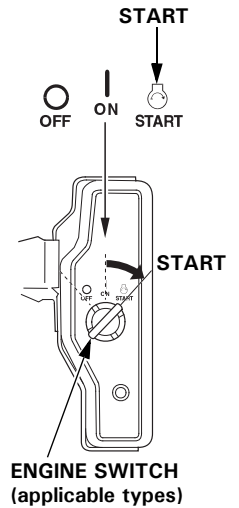
Turn the key to the START position, and hold it there until the engine starts.

If the engine fails to start within 5 seconds, release the key, and wait at least 10 seconds before operating the starter again.

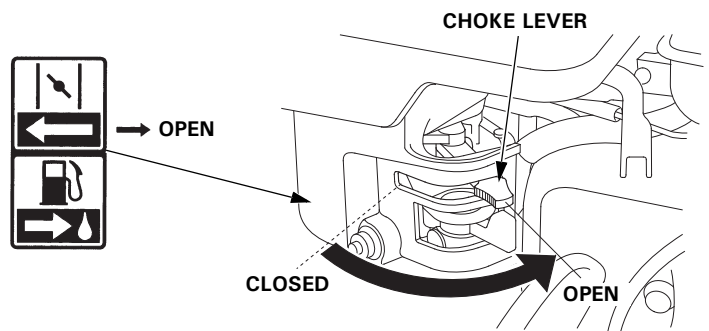
NOTICE

Using the electric starter for more than 5 seconds at a time will overheat the starter motor and can damage it. This type of overheating is not covered under warranty.

When the engine starts, release the key, allowing it to return to the ON position.



6. If the choke lever was moved to the CLOSED position to start the engine, gradually move it to the OPEN position as the engine warms up.

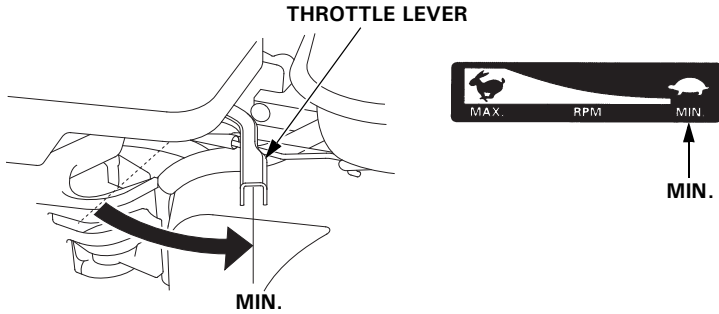


STOPPING THE ENGINE

To stop the engine in an emergency, simply turn the engine switch to the OFF position. Under normal conditions, use the following procedure. Refer to the instructions provided by the equipment manufacturer.

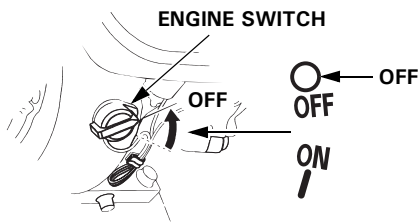
1. Move the throttle lever to the MIN. position.

Some engine applications use a remote-mounted throttle control rather than the engine-mounted throttle lever shown here.

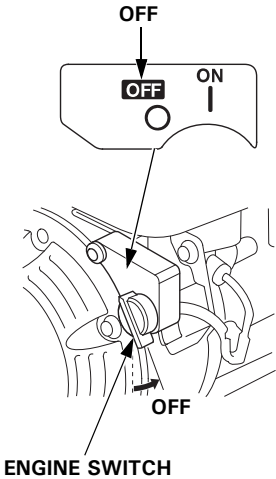
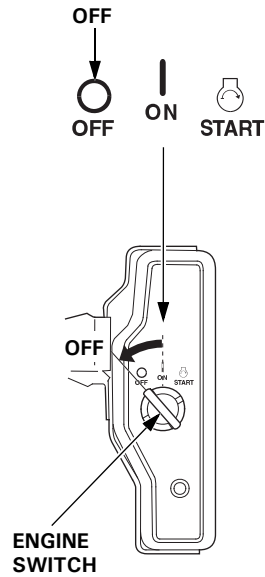


2. Turn the engine switch to the OFF position.

EXCEPT ELECTRIC STARTER TYPES



ELECTRIC STARTER TYPES

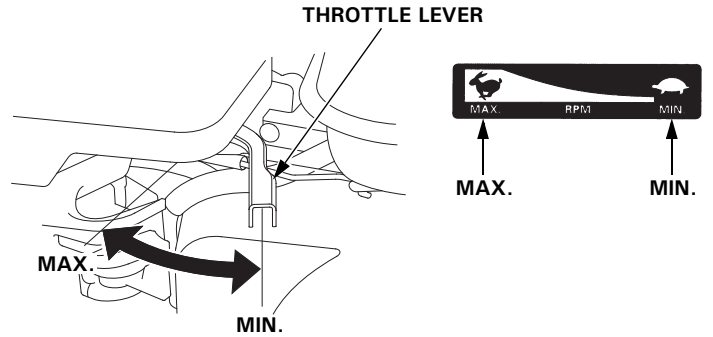


SETTING ENGINE SPEED

Position the throttle lever for the desired engine speed.

Some engine applications use a remote-mounted throttle control rather than the engine-mounted throttle lever shown here. Refer to the instructions provided by the equipment manufacturer.

For engine speed recommendations, refer to the instructions provided with the equipment powered by this engine.



SERVICING YOUR ENGINE

THE IMPORTANCE OF MAINTENANCE

Good maintenance is essential for safe, economical, and trouble-free operation. It will also help reduce pollution.

⚠ WARNING

Improper maintenance, or failure to correct a problem before operation, can cause a malfunction in which you can be seriously hurt or killed.

Always follow the inspection and maintenance recommendations and schedules in this owner's manual.

To help you properly care for your engine, the following pages include a maintenance schedule, routine inspection procedures, and simple maintenance procedures using basic hand tools. Other service tasks that are more difficult, or require special tools, are best handled by professionals and are normally performed by a Honda technician or other qualified mechanic.

The maintenance schedule applies to normal operating conditions. If you operate your engine under severe conditions, such as sustained high-load or high-temperature operation, or use in unusually wet or dusty conditions, consult your servicing dealer for recommendations applicable to your individual needs and use.

Maintenance, replacement, or repair of the emission control devices and systems may be performed by any engine repair establishment or individual, using parts that are "certified" to EPA standards.

MAINTENANCE SAFETY

Some of the most important safety precautions follow. However, we cannot warn you of every conceivable hazard that can arise in performing maintenance. Only you can decide whether or not you should perform a given task.

⚠ WARNING

Failure to properly follow maintenance instructions and precautions can cause you to be seriously hurt or killed.

Always follow the procedures and precautions in this owner's manual.

SAFETY PRECAUTIONS

- Make sure the engine is off before you begin any maintenance or repairs. To prevent accidental startup, disconnect the spark plug cap. This will eliminate several potential hazards:
 - **Carbon monoxide poisoning from engine exhaust.**
Operate outside, away from open windows or doors.
 - **Burns from hot parts.**
Let the engine and exhaust system cool before touching.
 - **Injury from moving parts.**
Do not run the engine unless instructed to do so.
- Read the instructions before you begin, and make sure you have the tools and skills required.
- To reduce the possibility of fire or explosion, be careful when working around gasoline. Use only a non-flammable solvent, not gasoline, to clean parts. Keep cigarettes, sparks and flames away from all fuel related parts.

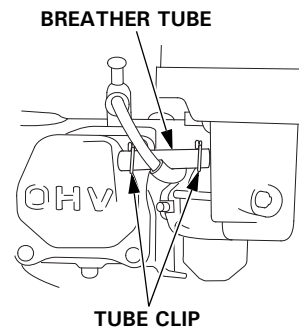
Remember that an authorized Honda servicing dealer knows your engine best and is fully equipped to maintain and repair it. To ensure the best quality and reliability, use only new Honda Genuine parts or their equivalents for repair and replacement.

MAINTENANCE SCHEDULE

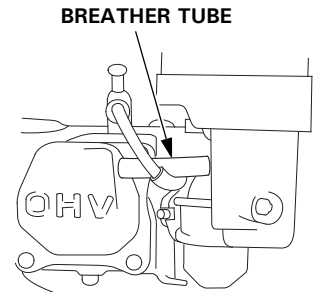
ITEM	REGULAR SERVICE PERIOD (3) Perform at every indicated month or operating hour interval, whichever comes first.	Each Use	First Month or 20 Hrs	Every 3 Months or 50 Hrs	Every 6 Months or 100 Hrs	Every Year or 300 Hrs	Refer to Page	
Engine oil	Check level	o					9	
	Change		o		o		9	
Reduction case oil (applicable types)	Check level	o					9-10	
	Change		o		o		10	
Air cleaner	Check	o					10	
	Clean			o (1)	o *(1)		11-12	
	Replace					o **		
Sediment cup	Clean				o		12	
Spark plug	Check-adjust				o		12	
	Replace					o		
Spark arrester (applicable types)	Clean				o (4)		13	
Idle speed	Check-adjust					o (2)	13	
Valve clearance	Check-adjust					o (2)	Shop manual	
Combustion chamber	Clean	After every 500 Hrs. (2)						Shop manual
Fuel tank & filter	Clean				o (2)		Shop manual	
Fuel tube	Check	Every 2 years (Replace if necessary) (2)						Shop manual

- * • Internal vent carburetor with dual element type only.
- Cyclone type every 6 months or 150 hours.

INTERNAL VENT CARBURETOR TYPE



STANDARD TYPE



- ** • Replace paper element type only.
- Cyclone type every 2 years or 600 hours.

- (1) Service more frequently when used in dusty areas.
- (2) These items should be serviced by your servicing dealer, unless you have the proper tools and are mechanically proficient. Refer to the Honda shop manual for service procedures.
- (3) For commercial use, log hours of operation to determine proper maintenance intervals.
- (4) In Europe and other countries where the machinery directive 2006/42/EC is enforced, this cleaning should be done by your servicing dealer.

Failure to follow this maintenance schedule could result in non-warrantable failures.

REFUELING

Recommended Fuel

Unleaded gasoline	
U.S.	Pump octane rating 86 or higher
Except U.S.	Research octane rating 91 or higher
	Pump octane rating 86 or higher

This engine is certified to operate on unleaded gasoline with a pump octane rating of 86 or higher (a research octane rating of 91 or higher).

Refuel in a well ventilated area with the engine stopped. If the engine has been running, allow it to cool first. Never refuel the engine inside a building where gasoline fumes may reach flames or sparks.

You may use unleaded gasoline containing no more than 10% ethanol (E10) or 5% methanol by volume. In addition, methanol must contain cosolvents and corrosion inhibitors. Use of fuels with content of ethanol or methanol greater than shown above may cause starting and/or performance problems. It may also damage metal, rubber, and plastic parts of the fuel system. Engine damage or performance problems that result from using a fuel with percentages of ethanol or methanol greater than shown above are not covered under the Warranty.

If your equipment will be used on an infrequent or intermittent basis, please refer to the fuel section of the **STORING YOUR ENGINE** chapter (see page 13) for additional information regarding fuel deterioration.

Never use stale or contaminated gasoline or an oil/gasoline mixture. Avoid getting dirt or water in the fuel tank.

⚠ WARNING

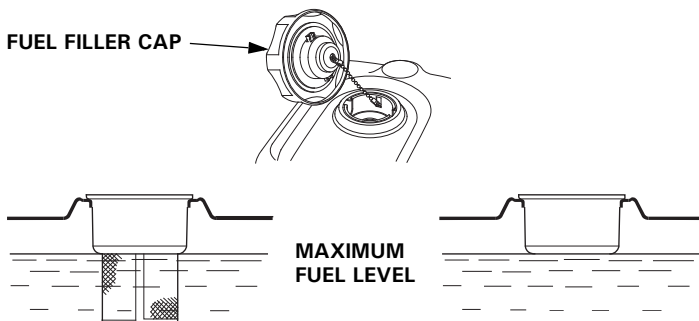
Gasoline is highly flammable and explosive, and you can be burned or seriously injured when refueling.

- Stop the engine and keep heat, sparks, and flame away.
- Refuel only outdoors.
- Wipe up spills immediately.

NOTICE

Fuel can damage paint and some types of plastic. Be careful not to spill fuel when filling your fuel tank. Damage caused by spilled fuel is not covered under the Distributor's Limited Warranty. Move at least 1 meter (3 feet) away from the fueling source and site before starting the engine.

1. With the engine stopped and on a level surface, remove the fuel filler cap and check the fuel level. Refill the tank if the fuel level is low.
2. Add fuel to the bottom of the maximum fuel level limit of the fuel tank. Do not overfill. Wipe up spilled fuel before starting the engine.



Refuel carefully to avoid spilling fuel. Do not fill the fuel tank completely. It may be necessary to lower the fuel level depending on operating conditions. After refueling, screw the fuel filler cap back on until it clicks.

Keep gasoline away from appliance pilot lights, barbecues, electric appliances, power tools, etc.

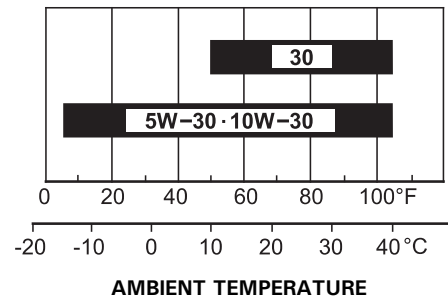
Spilled fuel is not only a fire hazard, it causes environmental damage. Wipe up spills immediately.

ENGINE OIL

Oil is a major factor affecting performance and service life. Use 4-stroke automotive detergent oil.

Recommended Oil

Use 4-stroke motor oil that meets or exceeds the requirements for API service category SJ or later (or equivalent). Always check the API service label on the oil container to be sure it includes the letters SJ or later (or equivalent).

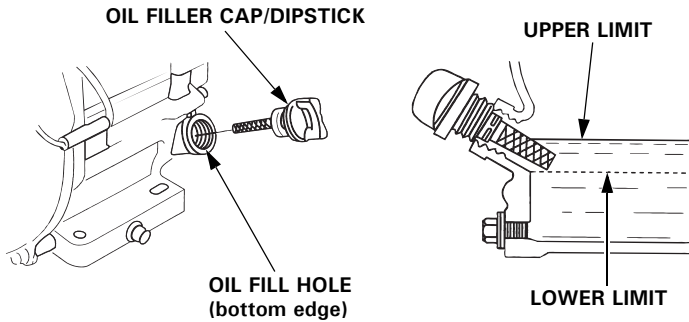


SAE 10W-30 is recommended for general use. Other viscosities shown in the chart may be used when the average temperature in your area is within the indicated range.

Oil Level Check

Check the engine oil level with the engine stopped and in a level position.

1. Remove the oil filler cap/dipstick and wipe it clean.
2. Insert the oil filler cap/dipstick into the oil filler neck as shown, but do not screw it in, then remove it to check the oil level.
3. If the oil level is near or below the lower limit mark on the dipstick, fill with the recommended oil (see page 8) to the upper limit mark (bottom edge of the oil fill hole). Do not overfill.
4. Reinstall the oil filler cap/dipstick.



NOTICE

Running the engine with a low oil level can cause engine damage. This type of damage is not covered by the Distributor's Limited Warranty.

The Oil Alert system (applicable types) will automatically stop the engine before the oil level falls below the safe limit. However, to avoid the inconvenience of an unexpected shutdown, always check the engine oil level before startup.

Oil Change

Drain the used oil when the engine is warm. Warm oil drains quickly and completely.

1. Place a suitable container below the engine to catch the used oil, then remove the oil filler cap/dipstick, oil drain plug and sealing washer.
2. Allow the used oil to drain completely, then reinstall the oil drain plug and a new sealing washer, and tighten the oil drain plug securely.

Please dispose of used motor oil in a manner that is compatible with the environment. We suggest you take used oil in a sealed container to your local recycling center or service station for reclamation. Do not throw it in the trash, pour it on the ground, or pour it down a drain.

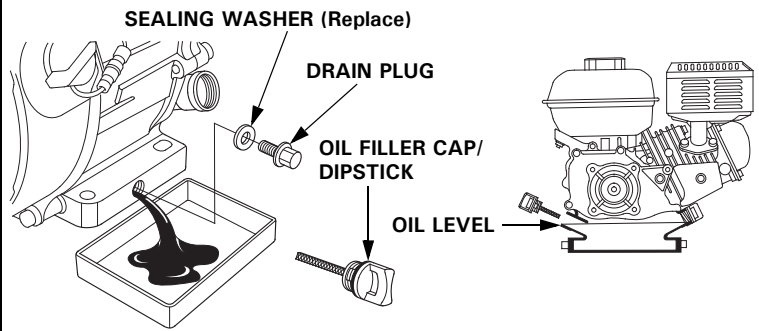
3. With the engine in a level position, fill with the recommended oil (see page 8) to the upper limit mark (bottom edge of the oil fill hole) on the dipstick.

NOTICE

Running the engine with a low oil level can cause engine damage. This type of damage is not covered by the Distributor's Limited Warranty.

The Oil Alert system (applicable types) will automatically stop the engine before the oil level falls below the safe limit. However, to avoid the inconvenience of an unexpected shutdown, fill to the upper limit, and check the oil level regularly.

4. Install the oil filler cap/dipstick and tighten securely.



Wash your hands with soap and water after handling used oil.

REDUCTION CASE OIL (applicable types)

Recommended Oil

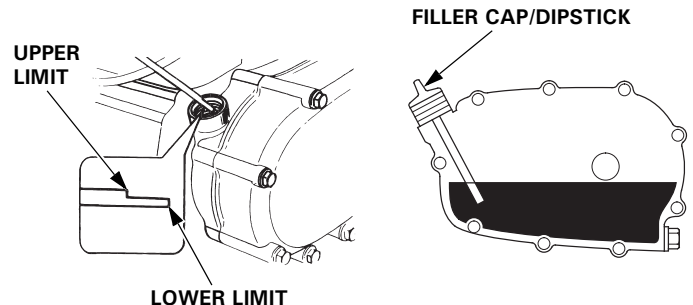
Use the same oil that is recommended for the engine (see page 8).

Oil Level Check

Check the reduction case oil level with the engine stopped and in a level position.

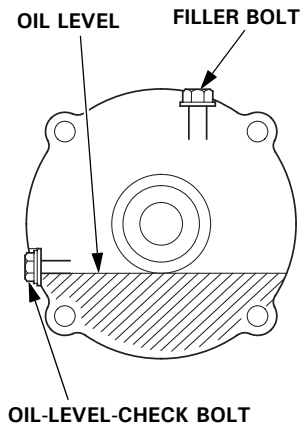
2 : 1 Reduction Case With Centrifugal Clutch

1. Remove the oil filler cap/dipstick and wipe it clean.
2. Insert and remove the oil filler cap/dipstick without screwing it into the filler hole. Check the oil level shown on the oil filler cap/dipstick.
3. If the oil level is low, add the recommended oil to reach the upper limit mark on the dipstick.
4. Screw in the oil filler cap/dipstick and tighten securely.



6 : 1 Reduction Case

1. Remove the oil-level-check bolt and washer, and see whether the oil level is at the edge of the bolt hole.
2. If the oil level is below the check bolt hole, remove the filler bolt and washer. Add oil until it starts to flow out the check bolt hole with the recommended oil (see page 9).
3. Install the oil-level-check bolt, filler bolt and new washers. Tighten them securely.



Oil Change

2 : 1 Reduction Case With Centrifugal Clutch

Drain the used oil while the engine is warm. Warm oil drains quickly and completely.

1. Place a suitable container below the reduction case to catch the used oil, then remove the oil filler cap/dipstick, drain plug and washer.
2. Allow the used oil to drain completely, then reinstall the drain plug and a new washer, and tighten the plug securely.

Please dispose of used motor oil in a manner that is compatible with the environment. We suggest you take used oil in a sealed container to your local recycling center or service station for reclamation. Do not throw it in the trash or pour it on the ground or pour it down a drain.

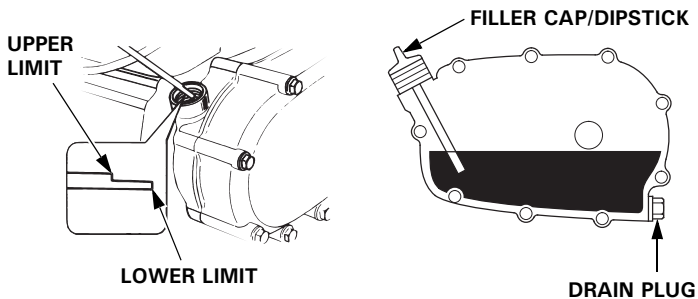
3. With the engine in a level position, fill with the recommended oil (see page 9) to the upper limit mark on the dipstick. To check the oil level, insert and remove the dipstick without screwing it into the filler hole.

Reduction case oil capacity: 0.50 L (0.53 US qt, 0.44 Imp qt)

NOTICE

Running the engine with a low reduction case oil level can cause reduction case damage.

4. Screw in the filler cap/dipstick securely.



Wash your hands with soap and water after handling used oil.

6 : 1 Reduction Case

Drain the used oil while the engine is warm. Warm oil drains quickly and completely.

1. Place a suitable container below the reduction case to catch the used oil, then remove the filler bolt, oil-level-check bolt and washers.
2. Drain the used oil completely into the container by tipping the engine toward the oil-level-check bolt hole.

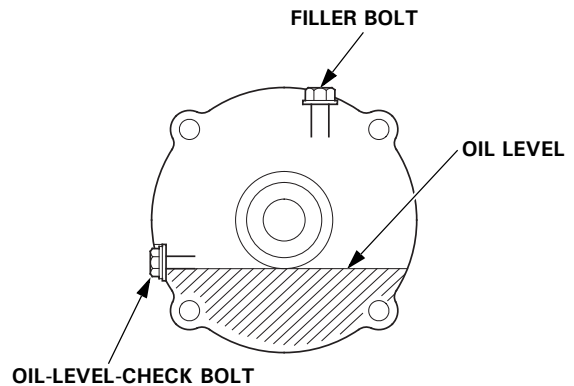
Please dispose of used motor oil in a manner that is compatible with the environment. We suggest you take used oil in a sealed container to your local recycling center or service station for reclamation. Do not throw it in the trash or pour it on the ground or pour it down a drain.

3. With the engine in a level position, fill with the recommended oil (see page 9) until it starts to flow out the check bolt hole.

NOTICE

Running the engine with a low reduction case oil level can cause reduction case damage.

4. Reinstall the oil-level-check bolt, filler bolt and new washers, and tighten them securely.



Wash your hands with soap and water after handling used oil.

AIR CLEANER

A dirty air cleaner will restrict air flow to the carburetor, reducing engine performance. If you operate the engine in very dusty areas, clean the air filter more often than specified in the MAINTENANCE SCHEDULE.

NOTICE

Operating the engine without an air filter, or with a damaged air filter, will allow dirt to enter the engine, causing rapid engine wear. This type of damage is not covered by the Distributor's Limited Warranty.

Inspection

Remove the air cleaner cover and inspect the filter elements. Clean or replace dirty filter elements. Always replace damaged filter elements. If equipped with an oil-bath air cleaner, also check the oil level.

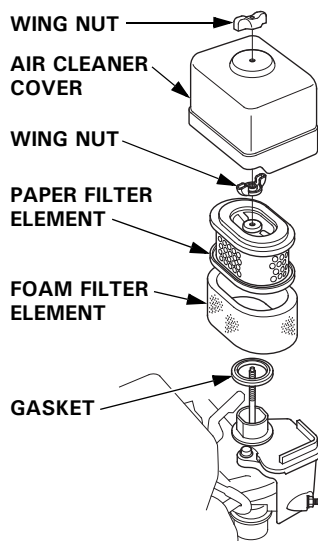
Refer to pages 11–12 for instructions that apply to the air cleaner and filter for your engine type.

Cleaning

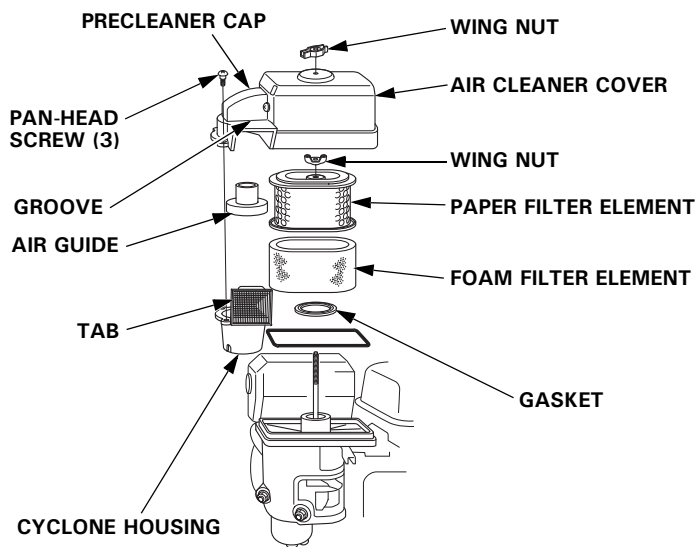
Dual-Filter Element Types

1. Remove the wing nut from the air cleaner cover, and remove the cover.
2. Remove the wing nut from the air filter, and remove the filter.
3. Remove the foam filter element from the paper filter element.
4. Inspect both air filter elements, and replace them if they are damaged. Always replace the paper air filter element at the scheduled interval (see page 7).

STANDARD DUAL-FILTER-ELEMENT TYPE



CYCLONE DUAL-FILTER ELEMENT TYPE



5. Clean the air filter elements if they are to be reused.

Paper filter element: Tap the filter element several times on a hard surface to remove dirt, or blow compressed air [not exceeding 207 kPa (2.1 kgf/cm², 30 psi)] through the filter element from the inside. Never try to brush off dirt; brushing will force dirt into the fibers.

Foam filter element: Clean in warm soapy water, rinse, and allow to dry thoroughly. Or clean in non-flammable solvent and allow to dry. Dip the filter element in clean engine oil, and then squeeze out all excess oil. The engine will smoke when started if too much oil is left in the foam.

6. **CYCLONE TYPE ONLY:** Remove the three pan-head screws from the precleaner cap, then remove the cyclone housing and air guide. Wash the parts with water, dry them thoroughly, and reassemble them.

Be sure to install the air guide as shown in the illustration.

Install the cyclone housing so the air intake tab fits into the groove in the precleaner cap.

7. Wipe dirt from the inside of the air cleaner case and cover using a moist rag. Be careful to prevent dirt from entering the air duct that leads to the carburetor.

8. Place the foam air filter element over the paper element, and reinstall the assembled air filter. Be sure the gasket is in place beneath the air filter. Tighten the air filter wing nut securely.

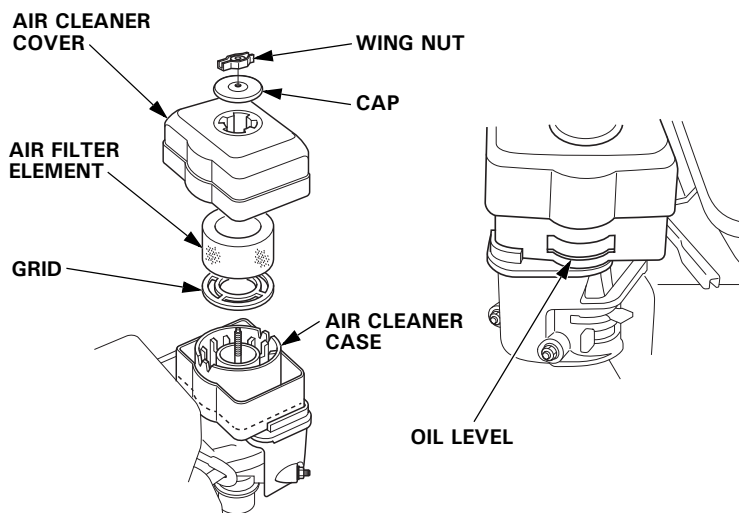
9. Install the air cleaner cover, and tighten the wing nut securely.

Oil-Bath Type

1. Remove the wing nut, and remove the air cleaner cap and cover.
2. Remove the air filter element from the cover. Wash the cover and filter element in warm soapy water, rinse, and allow to dry thoroughly. Or clean in non-flammable solvent and allow to dry.
3. Dip the filter element in clean engine oil, then squeeze out all excess oil. The engine will smoke if too much oil is left in the foam.
4. Empty the used oil from the air cleaner case, wash out any accumulated dirt with non-flammable solvent, and dry the case.
5. Fill the air cleaner case to the OIL LEVEL mark with the same oil that is recommended for the engine (see page 8).

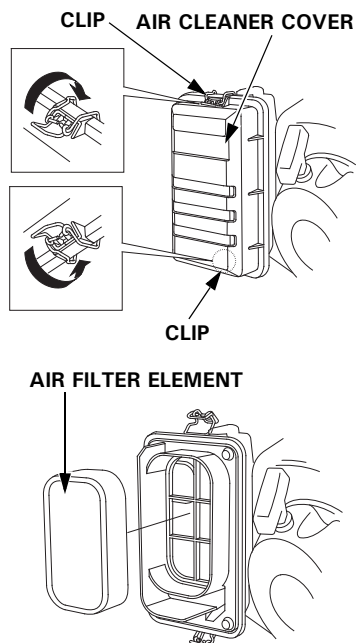
Oil capacity: 60 cm³ (2.0 US oz, 2.1 Imp oz)

6. Reassemble the air cleaner, and tighten the wing nut securely.



Low Profile Types

1. Unsnap the air cleaner cover clips, remove the air cleaner cover, and remove the air filter element.
2. Wash the element in a solution of household detergent and warm water, then rinse thoroughly, or wash in non-flammable or high flash point solvent. Allow the element to dry thoroughly.
3. Soak the air filter element in clean engine oil and squeeze out the excess oil. The engine will smoke during initial startup if too much oil is left in the element.
4. Reinstall the air filter element and the cover.



AIR FILTER ELEMENT

SEDIMENT CUP

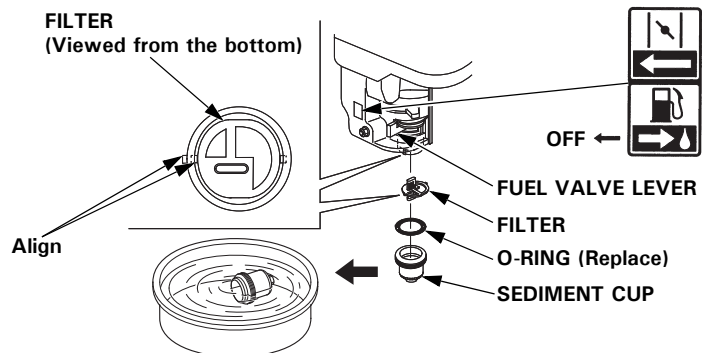
Cleaning

⚠ WARNING

Gasoline is highly flammable and explosive, and you can be burned or seriously injured when handling fuel.

- Stop the engine and keep heat, sparks, and flame away.
- Handle fuel only outdoors.
- Wipe up spills immediately.

1. Move the fuel valve to the OFF position, and then remove the sediment cup, O-ring and filter.
2. Wash the sediment cup and filter in non-flammable solvent, and dry it thoroughly.



3. Reinstall the filter, new O-ring, and sediment cup. Tighten the sediment cup securely.

4. Move the fuel valve to the ON position, and check for leaks.

SPARK PLUG

Recommended Spark Plugs: BPR6ES (NGK)
W20EPR-U (DENSO)

The recommended spark plug has the correct heat range for normal engine operating temperatures.

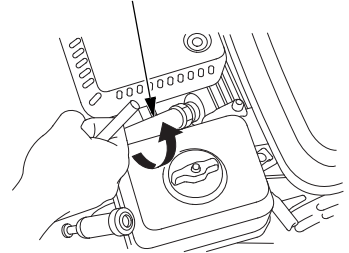
NOTICE

An incorrect spark plug can cause engine damage.

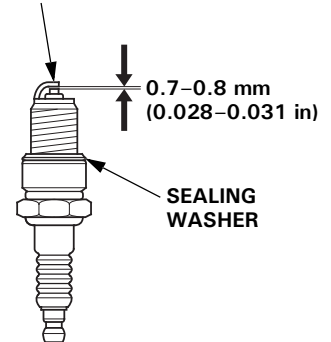
For good performance, the spark plug must be properly gapped and free of deposits.

1. Disconnect the spark plug cap, and remove any dirt from around the spark plug area.
2. Remove the spark plug with a 13/16-inch spark plug wrench.
3. Inspect the spark plug. Replace it if damaged or badly fouled, if the sealing washer is in poor condition, or if the electrode is worn.
4. Measure the spark plug electrode gap with a wire-type feeler gauge. Correct the gap, if necessary, by carefully bending the side electrode. The gap should be: 0.7–0.8 mm (0.028–0.031 in)
5. Install the spark plug carefully, by hand, to avoid cross-threading.

SPARK PLUG WRENCH



SIDE ELECTRODE



6. After the spark plug is seated, tighten with a 13/16-inch spark plug wrench to compress the sealing washer.

When installing a new spark plug, tighten 1/2 turn after the spark plug seats to compress the washer.

When reinstalling the original spark plug, tighten 1/8–1/4 turn after the spark plug seats to compress the washer.

NOTICE

A loose spark plug can overheat and damage the engine. Overtightening the spark plug can damage the threads in the cylinder head.

7. Attach the spark plug cap to the spark plug.

SPARK ARRESTER (applicable types)

In Europe and other countries where the machinery directive 2006/42/EC is enforced, this cleaning should be done by your servicing dealer.

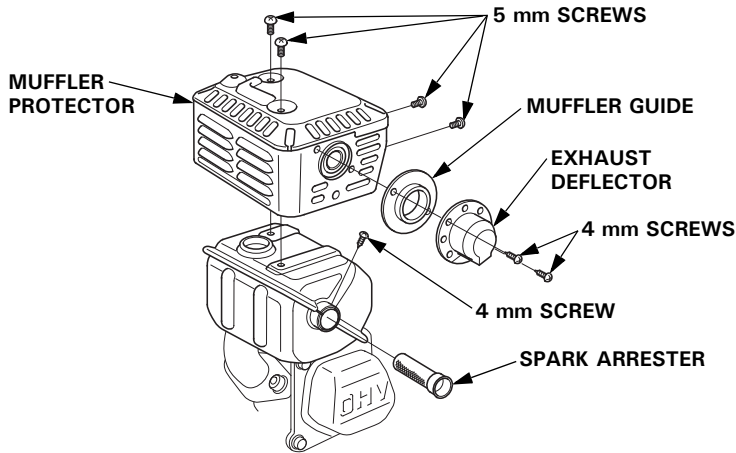
The spark arrester may be standard or an optional part, depending on the engine type. In some areas, it is illegal to operate an engine without a spark arrester. Check local laws and regulations. A spark arrester is available from authorized Honda servicing dealers.

The spark arrester must be serviced every 100 hours to keep it functioning as designed.

If the engine has been running, the muffler will be hot. Allow it to cool before servicing the spark arrester.

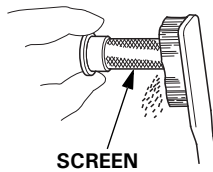
Spark Arrester Removal

1. Remove the air cleaner (see page 11).
2. Remove the two 4 mm screws from the exhaust deflector, and then remove the deflector and muffler guide (applicable types).
3. Remove the four 5 mm screws from the muffler protector and remove the muffler protector.
4. Remove the 4 mm screw from the spark arrester, and remove the spark arrester from the muffler.



Spark Arrester Cleaning & Inspection

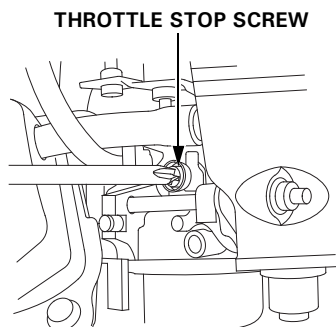
1. Use a brush to remove carbon deposits from the spark arrester screen. Be careful not to damage the screen. Replace the spark arrester if it has breaks or holes.
2. Install the spark arrester, muffler protector, exhaust deflector, and muffler guide in the reverse order of removal.
3. Install the air cleaner (see page 11).



IDLE SPEED

Adjustment

1. Start the engine outdoors, and allow it to warm up to operating temperature.
2. Move the throttle lever to its minimum position.
3. Turn the throttle stop screw to obtain the standard idle speed.



Standard idle speed: 1,400⁺²⁰⁰/₋₁₅₀ rpm

HELPFUL TIPS & SUGGESTIONS

STORING YOUR ENGINE

Storage Preparation

Proper storage preparation is essential for keeping your engine trouble-free and looking good. The following steps will help to keep rust and corrosion from impairing your engine's function and appearance, and will make the engine easier to start when you use it again.

Cleaning

If the engine has been running, allow it to cool for at least half an hour before cleaning. Clean all exterior surfaces, touch up any damaged paint, and coat other areas that may rust with a light film of oil.

NOTICE

Using a garden hose or pressure washing equipment can force water into the air cleaner or muffler opening. Water in the air cleaner will soak the air filter, and water that passes through the air filter or muffler can enter the cylinder, causing damage.

Fuel

NOTICE

Depending on the region where you operate your equipment, fuel formulations may deteriorate and oxidize rapidly. Fuel deterioration and oxidation can occur in as little as 30 days and may cause damage to the carburetor and/or fuel system. Please check with your servicing dealer for local storage recommendations.

Gasoline will oxidize and deteriorate in storage. Deteriorated gasoline will cause hard starting, and it leaves gum deposits that clog the fuel system. If the gasoline in your engine deteriorates during storage, you may need to have the carburetor and other fuel system components serviced or replaced.

The length of time that gasoline can be left in your fuel tank and carburetor without causing functional problems will vary with such factors as gasoline blend, your storage temperatures, and whether the fuel tank is partially or completely filled. The air in a partially filled fuel tank promotes fuel deterioration. Very warm storage temperatures accelerate fuel deterioration. Fuel deterioration problems may occur within a few months, or even less if the gasoline was not fresh when you filled the fuel tank.

Fuel system damage or engine performance problems resulting from neglected storage preparation are not covered under the *Distributor's Limited Warranty*.

You can extend fuel storage life by adding a gasoline stabilizer that is formulated for that purpose, or you can avoid fuel deterioration problems by draining the fuel tank and carburetor.

Adding a Gasoline Stabilizer to Extend Fuel Storage Life

When adding a gasoline stabilizer, fill the fuel tank with fresh gasoline. If only partially filled, air in the tank will promote fuel deterioration during storage. If you keep a container of gasoline for refueling, be sure that it contains only fresh gasoline.

1. Add gasoline stabilizer following the manufacturer's instructions.
2. After adding a gasoline stabilizer, run the engine outdoors for 10 minutes to be sure that treated gasoline has replaced the untreated gasoline in the carburetor.
3. Stop the engine.

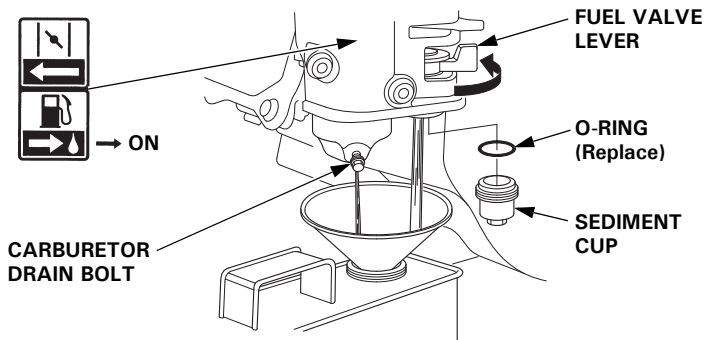
Draining the Fuel Tank and Carburetor

⚠ WARNING

Gasoline is highly flammable and explosive, and you can be burned or seriously injured when handling fuel.

- Stop the engine and keep heat, sparks, and flame away.
- Handle fuel only outdoors.
- Wipe up spills immediately.

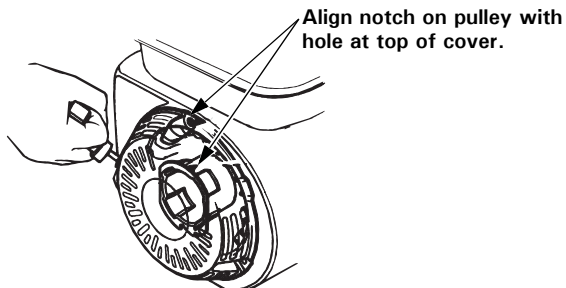
1. Move the fuel valve lever to the OFF position (see page 6).
2. Place an approved gasoline container below the carburetor, and use a funnel to avoid spilling fuel.
3. Loosen the carburetor drain bolt. Remove the sediment cup and O-ring, then move the fuel valve lever to the ON position (see page 4).



4. After all the fuel has drained into the container, reinstall the sediment cup and a new O-ring. Tighten the carburetor drain bolt and sediment cup securely.

Engine Oil

1. Change the engine oil (see page 9).
2. Remove the spark plug (see page 12).
3. Pour a teaspoon 5–10 cm³ (5–10 cc) of clean engine oil into the cylinder.
4. Pull the starter rope several times to distribute the oil in the cylinder.
5. Reinstall the spark plug.
6. Pull the starter rope slowly until resistance is felt and the notch on the starter pulley aligns with the hole at the top of the recoil starter cover. This will close the valves so moisture cannot enter the engine cylinder. Return the starter rope gently.



7. Electric starter type: Remove the battery and store it in a cool, dry place. Recharge it once a month.
8. Cover the engine to keep out dust.

Storage Precautions

If your engine will be stored with gasoline in the fuel tank and carburetor, it is important to reduce the hazard of gasoline vapor ignition. Select a well ventilated storage area away from any appliance that operates with a flame, such as a furnace, water heater, or clothes dryer. Also avoid any area with a spark-producing electric motor, or where power tools are operated.

If possible, avoid storage areas with high humidity, because that promotes rust and corrosion.

Keep the engine level in storage. Tilting can cause fuel or oil leakage.

With the engine and exhaust system cool, cover the engine to keep out dust. A hot engine and exhaust system can ignite or melt some materials. Do not use sheet plastic as a dust cover. A nonporous cover will trap moisture around the engine, promoting rust and corrosion.

If equipped with a battery for electric starter types, recharge the battery once a month while the engine is in storage. This will help to extend the service life of the battery.

Removal from Storage

Check your engine as described in the *BEFORE OPERATION CHECKS* section of this manual (see page 4).

If the fuel was drained during storage preparation, fill the tank with fresh gasoline. If you keep a container of gasoline for refueling, be sure it contains only fresh gasoline. Gasoline oxidizes and deteriorates over time, causing hard starting.

If the cylinder was coated with oil during storage preparation, the engine will smoke briefly at startup. This is normal.

TRANSPORTING

If the engine has been running, allow it to cool for at least 15 minutes before loading the engine-powered equipment on the transport vehicle. A hot engine and exhaust system can burn you and can ignite some materials.

Keep the engine level when transporting to reduce the possibility of fuel leakage. Move the fuel valve lever to the OFF position (see page 6).

TAKING CARE OF UNEXPECTED PROBLEMS

ENGINE WILL NOT START

Possible Cause	Correction
Battery discharged.	Recharge battery.
Fuse burnt out.	Replace fuse (p. 15).
Fuel valve OFF.	Move lever to ON position.
Choke open.	Move lever to CLOSED position unless the engine is warm.
Engine switch OFF.	Turn engine switch to ON position.
Engine oil level low (Oil Alert models).	Fill with the recommended oil to the proper level (p. 9).
Out of fuel.	Refuel (p. 8).
Bad fuel; engine stored without treating or draining gasoline, or refueled with bad gasoline.	Drain fuel tank and carburetor (p. 14). Refuel with fresh gasoline (p. 8).
Spark plug faulty, fouled, or improperly gapped.	Gap or replace spark plug (p. 12).
Spark plug wet with fuel (flooded engine).	Dry and reinstall spark plug. Start engine with throttle lever in MAX. position.
Fuel filter restricted, carburetor malfunction, ignition malfunction, valves stuck, etc.	Take engine to your servicing dealer, or refer to shop manual.

ENGINE LACKS POWER

Possible Cause	Correction
Filter element(s) restricted.	Clean or replace filter element(s) (p. 11–12).
Bad fuel; engine stored without treating or draining gasoline, or refueled with bad gasoline.	Drain fuel tank and carburetor (p. 14). Refuel with fresh gasoline (p. 8).
Fuel filter restricted, carburetor malfunction, ignition malfunction, valves stuck, etc.	Take engine to your servicing dealer, or refer to shop manual.

FUSE REPLACEMENT (applicable types)

The electric starter relay circuit and battery charging circuit are protected by a fuse. If the fuse burns out, the electric starter will not operate. The engine can be started manually if the fuse burns out, but running the engine will not charge the battery.

1. Remove the 6 × 12 mm special screw from the rear cover of the engine switch box, and remove the rear cover.
2. Remove the fuse cover, then pull out and inspect the fuse.

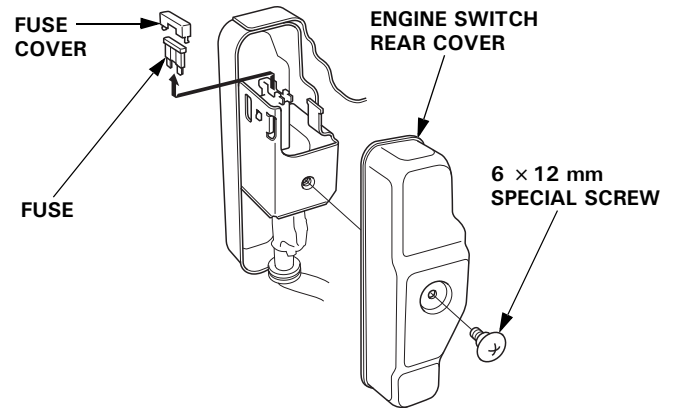
If the fuse is burnt out, discard the burnt-out fuse. Install a new fuse with the same rating as the one that was removed, and reinstall the cover.

If you have questions regarding the rating of the original fuse, contact your Honda servicing dealer.

NOTICE

Never use a fuse with a rating greater than the one originally equipped with the engine. Serious damage to the electrical system or a fire could result.

3. Reinstall the rear cover. Install the 6 × 12 mm screw and tighten it securely.

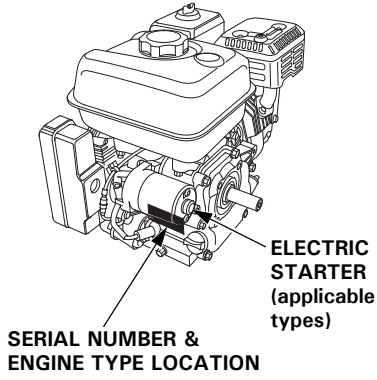


Frequent fuse failure usually indicates a short circuit or an overload in the electrical system. If the fuse burns out frequently, take the engine to a Honda servicing dealer for repair.

TECHNICAL INFORMATION

Serial Number Location

Record the engine serial number, type and purchase date in the spaces below. You will need this information when ordering parts and when making technical or warranty inquiries.



Engine serial number: _____

Engine type: _____

Date Purchased: ____ / ____ / ____

Battery Connections for Electric Starter (applicable types)

Use a 12-volt battery with an ampere-hour rating of at least 18 Ah.

Be careful not to connect the battery in reverse polarity, as this will short circuit the battery charging system. Always connect the positive (+) battery cable to the battery terminal before connecting the negative (-) battery cable, so your tools cannot cause a short circuit if they touch a grounded part while tightening the positive (+) battery cable end.

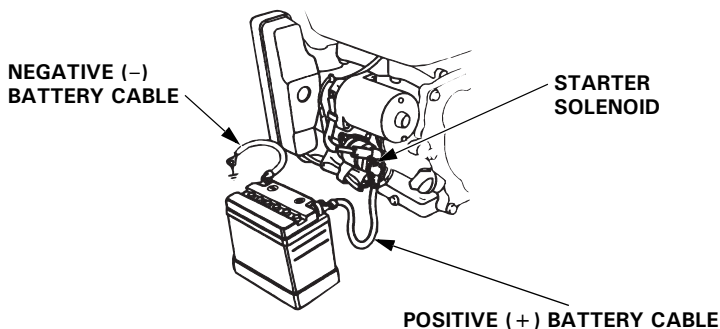
⚠ WARNING

A battery can explode if you do not follow the correct procedure, seriously injuring anyone nearby.

Keep all sparks, open flames, and smoking materials away from the battery.

WARNING: Battery posts, terminals, and related accessories contain lead and lead compounds. **Wash hands after handling.**

1. Connect the battery positive (+) cable to the starter solenoid terminal as shown.
2. Connect the battery negative (-) cable to an engine mounting bolt, frame bolt, or other good engine ground connection.
3. Connect the battery positive (+) cable to the battery positive (+) terminal as shown.
4. Connect the battery negative (-) cable to the battery negative (-) terminal as shown.
5. Coat the terminals and cable ends with grease.

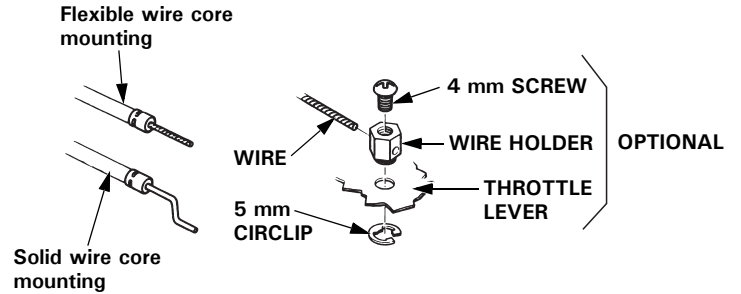
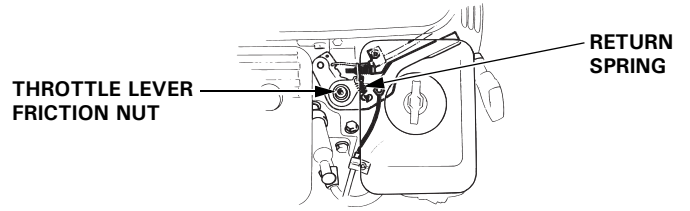


Remote Control Linkage

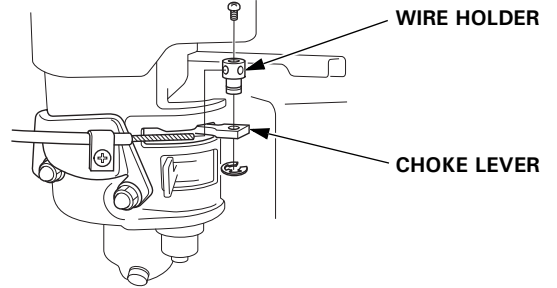
The throttle and choke control levers are provided with holes for optional cable attachment. The following illustrations show installation examples for a solid wire cable and for a flexible, braided wire cable. If using a flexible, braided wire cable, add a return spring as shown.

It is necessary to loosen the throttle lever friction nut when operating the throttle with a remote-mounted control.

REMOTE THROTTLE LINKAGE



REMOTE CHOKE LINKAGE



Carburetor Modifications for High Altitude Operation

At high altitude, the standard carburetor air-fuel mixture will be too rich. Performance will decrease, and fuel consumption will increase. A very rich mixture will also foul the spark plug and cause hard starting. Operation at an altitude that differs from that at which this engine was certified, for extended periods of time, may increase emissions.

High altitude performance can be improved by specific modifications to the carburetor. If you always operate your engine at altitudes above 1,500 meters (5,000 feet), have your servicing dealer perform this carburetor modification. This engine, when operated at high altitude with the carburetor modifications for high altitude use, will meet each emission standard throughout its useful life.

Even with carburetor modification, engine horsepower will decrease about 3.5% for each 300 meter (1,000 foot) increase in altitude. The effect of altitude on horsepower will be greater than this if no carburetor modification is made.

NOTICE

When the carburetor has been modified for high altitude operation, the air-fuel mixture will be too lean for low altitude use. Operation at altitudes below 1,500 meters (5,000 feet) with a modified carburetor may cause the engine to overheat and result in serious engine damage. For use at low altitudes, have your servicing dealer return the carburetor to original factory specifications.

Emission Control System Information

Source of Emissions

The combustion process produces carbon monoxide, oxides of nitrogen, and hydrocarbons. Control of hydrocarbons and oxides of nitrogen is very important because, under certain conditions, they react to form photochemical smog when subjected to sunlight. Carbon monoxide does not react in the same way, but it is toxic.

Honda utilizes appropriate air/fuel ratios and other emissions control systems to reduce the emissions of carbon monoxide, oxides of nitrogen, and hydrocarbons. Additionally, Honda fuel systems utilize components and control technologies to reduce evaporative emissions.

The U.S., California Clean Air Act, and Environment Canada
EPA, California, and Canadian regulations require all manufacturers to furnish written instructions describing the operation and maintenance of emission control systems.

The following instructions and procedures must be followed in order to keep the emissions from your Honda engine within the emission standards.

Tampering and Altering

Tampering with or altering the emission control system may increase emissions beyond the legal limit. Among those acts that constitute tampering are:

- Removal or alteration of any part of the intake, fuel, or exhaust systems.
- Altering or defeating the governor linkage or speed-adjusting mechanism to cause the engine to operate outside its design parameters.

Problems That May Affect Emissions

If you are aware of any of the following symptoms, have your engine inspected and repaired by your servicing dealer.

- Hard starting or stalling after starting.
- Rough idle.
- Misfiring or backfiring under load.
- Afterburning (backfiring).
- Black exhaust smoke or high fuel consumption.

Replacement Parts

The emission control systems on your Honda engine were designed, built, and certified to conform with EPA, California and Canadian emission regulations. We recommend the use of genuine Honda parts whenever you have maintenance done.

These original-design replacement parts are manufactured to the same standards as the original parts, so you can be confident of their performance. The use of replacement parts that are not of the original design and quality may impair the effectiveness of your emission control system.

A manufacturer of an aftermarket part assumes the responsibility that the part will not adversely affect emission performance. The manufacturer or rebuilder of the part must certify that use of the part will not result in a failure of the engine to comply with emission regulations.

Maintenance

Follow the maintenance schedule on page 7. Remember that this schedule is based on the assumption that your machine will be used for its designed purpose. Sustained high-load or high-temperature operation, or use in unusually wet or dusty conditions, will require more frequent service.

Air Index
(Models certified for sale in California)

An Air Index Information label is applied to engines certified to an emission durability time period in accordance with the requirements of the California Air Resources Board.

The bar graph is intended to provide you, our customer, the ability to compare the emissions performance of available engines. The lower the Air Index, the less pollution.

The durability description is intended to provide you with information relating to the engine's emission durability period. The descriptive term indicates the useful life period for the engine's emission control system. See your *Emission Control System Warranty* for additional information.

Descriptive Term	Applicable to Emissions Durability Period
Moderate	50 hours (0–80 cc, inclusive) 125 hours (greater than 80 cc)
Intermediate	125 hours (0–80 cc, inclusive) 250 hours (greater than 80 cc)
Extended	300 hours (0–80 cc, inclusive) 500 hours (greater than 80 cc) 1,000 hours (225 cc and greater)

Specifications

GX120 (PTO shaft type S, with fuel tank)

Length × Width × Height	297 × 346 × 329 mm (11.7 × 13.6 × 13.0 in)
Dry mass [weight]	13.0 kg (28.7 lbs)
Engine type	4-stroke, overhead valve, single cylinder
Displacement [Bore × Stroke]	118 cm ³ (7.2 cu-in) [60.0 × 42.0 mm (2.4 × 1.7 in)]
Net power (in accordance with SAE J1349*)	2.6 kW (3.5 PS, 3.5 bhp) at 3,600 rpm
Max. Net torque (in accordance with SAE J1349*)	7.3 N·m (0.74 kgf·m, 5.4 lbf·ft) at 2,500 rpm
Engine oil capacity	0.56 L (0.59 US qt, 0.49 Imp qt)
Fuel tank capacity	2.0 L (0.53 US gal, 0.44 Imp gal)
Cooling system	Forced air
Ignition system	Transistorized magneto
PTO shaft rotation	Counterclockwise

GX160 (PTO shaft type S, with fuel tank)

Length × Width × Height	304 × 362 × 346 mm (12.0 × 14.3 × 13.6 in)
Dry mass [weight]	15.1 kg (33.3 lbs)
Engine type	4-stroke, overhead valve, single cylinder
Displacement [Bore × Stroke]	163 cm ³ (9.9 cu-in) [68.0 × 45.0 mm (2.7 × 1.8 in)]
Net power (in accordance with SAE J1349*)	3.6 kW (4.9 PS, 4.8 bhp) at 3,600 rpm
Max. Net torque (in accordance with SAE J1349*)	10.3 N·m (1.05 kgf·m, 7.6 lbf·ft) at 2,500 rpm
Engine oil capacity	0.58 L (0.61 US qt, 0.51 Imp qt)
Fuel tank capacity	3.1 L (0.82 US gal, 0.68 Imp gal)
Cooling system	Forced air
Ignition system	Transistorized magneto
PTO shaft rotation	Counterclockwise

GX200 (PTO shaft type S, with fuel tank)

Length × Width × Height	313 × 376 × 346 mm (12.3 × 14.8 × 13.6 in)
Dry mass [weight]	16.1 kg (35.5 lbs)
Engine type	4-stroke, overhead valve, single cylinder
Displacement [Bore × Stroke]	196 cm ³ (12.0 cu-in) [68.0 × 54.0 mm (2.7 × 2.1 in)]
Net power (in accordance with SAE J1349*)	4.1 kW (5.6 PS, 5.5 bhp) at 3,600 rpm
Max. Net torque (in accordance with SAE J1349*)	12.4 N·m (1.26 kgf·m, 9.1 lbf·ft) at 2,500 rpm
Engine oil capacity	0.60 L (0.63 US qt, 0.53 Imp qt)
Fuel tank capacity	3.1 L (0.82 US gal, 0.68 Imp gal)
Cooling system	Forced air
Ignition system	Transistorized magneto
PTO shaft rotation	Counterclockwise

* The power rating of the engine indicated in this document is the net power output tested on a production engine for the engine model and measured in accordance with SAE J1349 at 3,600 rpm (Net Power) and at 2,500 rpm (Max. Net Torque). Mass production engines may vary from this value. Actual power output for the engine installed in the final machine will vary depending on numerous factors, including the operating speed of the engine in application, environmental conditions, maintenance, and other variables.

Tuneup Specifications GX120/160/200

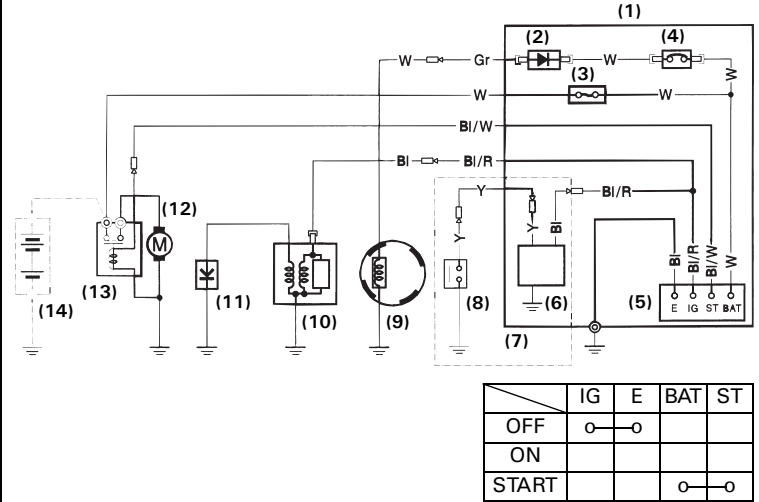
ITEM	SPECIFICATION	MAINTENANCE	
Spark plug gap	0.7–0.8 mm (0.028–0.031 in)	Refer to page: 12	
Idle speed	1,400 $\begin{smallmatrix} +200 \\ -150 \end{smallmatrix}$ rpm	Refer to page: 13	
Valve clearance (cold)	GX120 GX200	See your authorized Honda dealer	
			IN: 0.15 ± 0.02 mm EX: 0.20 ± 0.02 mm
	GX160		IN: 0.08 ± 0.02 mm EX: 0.10 ± 0.02 mm
Other specifications	No other adjustments needed.		

Quick Reference Information

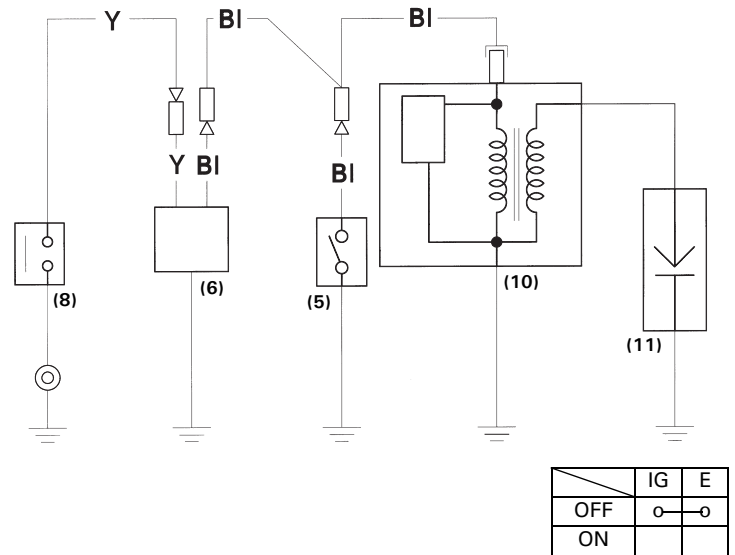
Fuel	Unleaded gasoline (Refer to page 8)	
	U.S.	Pump octane rating 86 or higher
	Except U.S.	Research octane rating 91 or higher Pump octane rating 86 or higher
Engine oil	SAE 10W-30, API SJ or later, for general use. Refer to page 8.	
Reduction case oil	Same oil as engine oil, see above (applicable types).	
Spark plug	BPR6ES (NGK) W20EPR-U (DENSO)	
Maintenance	Before each use:	
	<ul style="list-style-type: none"> • Check engine oil level. Refer to page 9. • Check reduction case oil (applicable types). Refer to page 9–10. • Check air filter. Refer to page 10. 	
	First 20 hours:	
	<ul style="list-style-type: none"> • Change engine oil. Refer to page 9. • Change reduction case oil (applicable types). Refer to page 10. 	
	Subsequent: Refer to the maintenance schedule on page 7.	

Wiring Diagrams

With Oil Alert and Electric Starter



With Oil Alert and Without Electric Starter



- | | |
|------------------------------|-----------------------|
| (1) CONTROL BOX | (8) OIL LEVEL SWITCH |
| (2) RECTIFIER | (9) CHARGING COIL |
| (3) FUSE | (10) IGNITION COIL |
| (4) CIRCUIT BREAKER | (11) SPARK PLUG |
| (5) ENGINE SWITCH | (12) STARTER MOTOR |
| (6) OIL ALERT UNIT | (13) STARTER SOLENOID |
| (7) Type with Oil Alert unit | (14) BATTERY (12 V) |

Bl	Black	Br	Brown
Y	Yellow	O	Orange
Bu	Blue	Lb	Light blue
G	Green	Lg	Light green
R	Red	P	Pink
W	White	Gr	Gray

CONSUMER INFORMATION

Warranty and Distributor/Dealer Locator Information

United States, Puerto Rico, and U.S. Virgin Islands:

Visit our website: www.honda-engines.com

Canada:

Call (888) 9HONDA9

or visit our website: www.honda.ca

For European Area:

Visit our website: <http://www.honda-engines-eu.com>

Australia:

Call (03) 9270 1348

or visit our website: www.hondampe.com.au

Customer Service Information

Servicing dealership personnel are trained professionals. They should be able to answer any question you may have. If you encounter a problem that your dealer does not solve to your satisfaction, please discuss it with the dealership's management. The Service Manager, General Manager, or Owner can help. Almost all problems are solved in this way.

United States, Puerto Rico, and U.S. Virgin Islands:

If you are dissatisfied with the decision made by the dealership's management, contact the Honda Regional Engine Distributor for your area.

If you are still dissatisfied after speaking with the Regional Engine Distributor, you may contact the Honda Office as shown.

All Other Areas:

If you are dissatisfied with the decision made by the dealership's management, contact the Honda Office as shown.

«Honda's Office»

When you write or call, please provide this information:

- Equipment manufacturer's name and model number that the engine is mounted on
- Engine model, serial number, and type (see page 16)
- Name of dealer who sold the engine to you
- Name, address, and contact person of the dealer who services your engine
- Date of purchase
- Your name, address and telephone number
- A detailed description of the problem

United States, Puerto Rico, and U.S. Virgin Islands:

American Honda Motor Co., Inc.

Power Equipment Division

Customer Relations Office

4900 Marconi Drive

Alpharetta, GA 30005-8847

Or telephone: (770) 497-6400, 8:30 am - 7:00 pm ET

Canada:

Honda Canada, Inc.

180 Honda Blvd.

Markham, ON L6C 0H9

Telephone: (888) 9HONDA9 Toll free

(888) 946-6329

Facsimile: (877) 939-0909 Toll free

Australia:

Honda Australia Motorcycle and Power Equipment Pty. Ltd.

1954-1956 Hume Highway

Campbellfield Victoria 3061

Telephone: (03) 9270 1111

Facsimile: (03) 9270 1133

For European Area:

Honda Motor Europe Logistics NV.

European Engine Center

<http://www.honda-engines-eu.com>

All Other Areas:

Please contact the Honda distributor in your area for assistance.

HONDA
The Power of Dreams

INTRODUCTION

Nous vous remercions d'avoir porté votre choix sur un moteur Honda. Nous désirons vous aider à faire le meilleur usage de votre nouveau moteur et à l'utiliser en sécurité. Vous trouverez dans ce manuel des informations sur la manière d'y parvenir ; veuillez le lire attentivement avant d'utiliser le moteur. En cas de problème ou pour toute question sur le moteur, consultez un concessionnaire Honda agréé.

Toutes les informations de cette publication sont basées sur les dernières informations sur le produit disponibles au moment de l'impression. Honda Motor Co., Ltd. se réserve le droit d'apporter des modifications à tout moment sans avertissement et sans obligation de sa part. Aucune partie de ce document ne peut être reproduite sans autorisation écrite.

Ce manuel doit être considéré comme faisant partie du moteur et doit l'accompagner en cas de revente.

Pour de plus amples informations sur le démarrage, l'arrêt, l'utilisation et les réglages du moteur ou pour des instructions sur tout entretien spécial, consultez les instructions accompagnant l'équipement commandé par ce moteur.

Etats-Unis, Porto Rico et Iles Vierges américaines :
Nous vous suggérons de lire le bulletin de garantie afin de bien comprendre ce que la garantie couvre et vos responsabilités en tant que propriétaire. Le bulletin de garantie est un document séparé que vous avez dû en principe recevoir de votre concessionnaire.

MESSAGES DE SECURITE

Votre sécurité et celle des autres sont essentielles. Vous trouverez des messages de sécurité importants dans ce manuel et sur le moteur. Veuillez les lire attentivement.

Les messages de sécurité vous avertissent de risques potentiels de blessures pour vous et les autres. Chaque message de sécurité est précédé d'un symbole de mise en garde ⚠ et de l'une des trois mentions DANGER, ATTENTION ou PRECAUTION.

Ces termes signifient :

⚠ DANGER

Le non-respect de ces instructions ENTRAÎNERA des BLESSURES GRAVES, voire MORTELLES.

⚠ ATTENTION

Le non-respect de ces instructions est SUSCEPTIBLE d'entraîner des BLESSURES GRAVES, voire MORTELLES.

⚠ PRECAUTION

Le non-respect de ces instructions est SUSCEPTIBLE d'entraîner des BLESSURES.

Chaque message vous indique quel est le danger, ce qui peut arriver et ce que vous pouvez faire pour éviter ou réduire les blessures.

MESSAGES DE PREVENTION DES DOMMAGES

D'autres messages importants sont précédés du mot REMARQUE.

Cette mention signifie :

REMARQUE

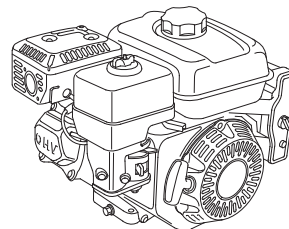
Votre moteur ou d'autres biens peuvent être endommagés si vous ne suivez pas ces instructions.

L'objet de ces messages est de vous aider à ne pas causer de dommages au moteur, à d'autres biens ou à l'environnement.

HONDA

MANUEL DE L'UTILISATEUR

GX120 • GX160 • GX200



⚠ ATTENTION : ⚠

L'échappement du moteur contient des substances chimiques déclarées responsables de cancers, de malformations congénitales ou d'autres anomalies de la reproduction par l'Etat de Californie.

Proposition 65 de l'Etat de Californie

Ce produit contient ou émet des substances chimiques déclarées responsables de cancers, de malformations congénitales ou d'autres anomalies de la reproduction par l'Etat de Californie

SOMMAIRE

INTRODUCTION.....	1	PARE-ETINCELLES.....	13
MESSAGES DE SECURITE.....	1	RÉGIME DE RALENTI.....	13
INFORMATIONS DE SECURITE.....	2	CONSEILS ET SUGGESTIONS	
EMPLACEMENT DES ETIQUETTES DE SECURITE.....	2	UTILILES.....	13
EMPLACEMENT DES COMPOSANTS ET COMMANDES ...	3	REMISAGE DU MOTEUR.....	13
PARTICULARITES.....	3	TRANSPORT.....	14
CONTROLES AVANT L'UTILISATION.....	4	EN CAS DE PROBLEME INATTENDU.....	15
UTILISATION.....	4	REPLACEMENT DU FUSIBLE... ..	15
CONSIGNES DE SECURITE D'UTILISATION.....	4	INFORMATIONS TECHNIQUES... ..	16
DEMARRAGE DU MOTEUR.....	4	Emplacement du numéro de série.....	16
ARRET DU MOTEUR.....	6	Raccordements de la batterie pour le démarreur électrique.....	16
REGLAGE DU REGIME MOTEUR... ..	6	Tringlerie de commande à distance.....	16
ENTRETIEN DU MOTEUR.....	7	Modifications du carburateur pour une utilisation à haute altitude.....	17
L'IMPORTANCE DE L'ENTRETIEN.....	7	Informations sur le système antipollution.....	17
SECURITE D'ENTRETIEN.....	7	Indice atmosphérique.....	18
CONSIGNES DE SECURITE.....	7	Spécifications.....	18
PROGRAMME D'ENTRETIEN.....	7	Caractéristiques de mise au point.....	19
REPLISSAGE EN CARBURANT... ..	8	Informations de référence rapide.....	19
HUILE MOTEUR.....	8	Schémas de câblage.....	19
Huile recommandée.....	8	INFORMATION DU CONSOMMATEUR.....	20
Vérification du niveau d'huile... ..	9	Informations sur la garantie et le localisateur de distributeurs/ concessionnaires.....	20
Renouvellement d'huile.....	9	Informations d'entretien pour le client.....	20
HUILE DE CARTER DE REDUCTEUR.....	9		
Huile recommandée.....	9		
Vérification du niveau d'huile... ..	9		
Renouvellement d'huile.....	10		
FILTRE A AIR.....	10		
Contrôle.....	10		
Nettoyage.....	11		
COUPELLE DE DECANTATION... ..	12		
BOUGIE.....	12		

FRANÇAIS

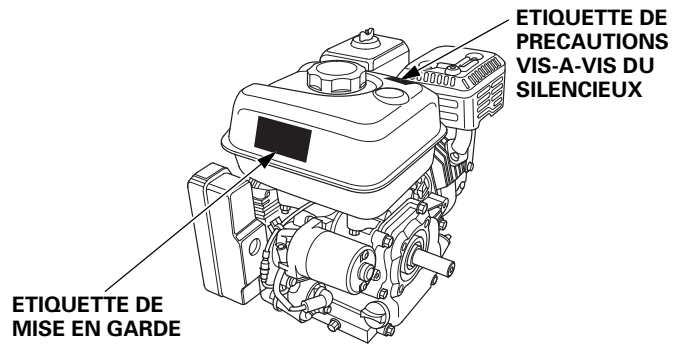
INFORMATIONS DE SECURITE

- Comprenez bien le fonctionnement de toutes les commandes et apprenez comment arrêter le moteur rapidement en cas d'urgence. Veillez à ce que l'opérateur reçoive des instructions adéquates avant l'utilisation de l'équipement.
- Ne pas autoriser des enfants à utiliser le moteur. Eloigner les enfants et les animaux de la zone d'utilisation.
- Les gaz d'échappement du moteur contiennent du monoxyde de carbone toxique. Ne pas faire tourner le moteur sans une aération adéquate et ne jamais l'utiliser à l'intérieur.
- Le moteur et les gaz d'échappement deviennent très chauds pendant le fonctionnement. Garder le moteur à au moins 1 mètre des bâtiments et des autres équipements pendant l'utilisation. Ne pas approcher de matières inflammables et ne rien placer sur le moteur pendant son fonctionnement.

EMPLACEMENT DES ETIQUETTES DE SECURITE

Ces étiquettes mettent en garde contre les risques potentiels de blessures graves. Les lire attentivement.

Si une étiquette se décolle ou devient illisible, s'adresser au concessionnaire réparateur Honda pour obtenir une étiquette de rechange.



ETIQUETTE DE MISE EN GARDE	Pour l'UE	Excepté l'UE
	apposée sur le produit	fournie avec le produit
	fournie avec le produit	apposée sur le produit
	fournie avec le produit	fournie avec le produit
ETIQUETTE DE PRECAUTIONS VIS-A-VIS DU SILENCIEUX	Pour l'UE	Excepté l'UE
	non incluse	fournie avec le produit
	fournie avec le produit	apposée sur le produit
	fournie avec le produit	fournie avec le produit



L'essence est très inflammable et explosive. Avant de faire le plein de carburant, arrêter le moteur et le laisser se refroidir.



Le moteur dégage du monoxyde de carbone qui est un gaz toxique. Ne jamais le faire fonctionner dans un endroit clos.

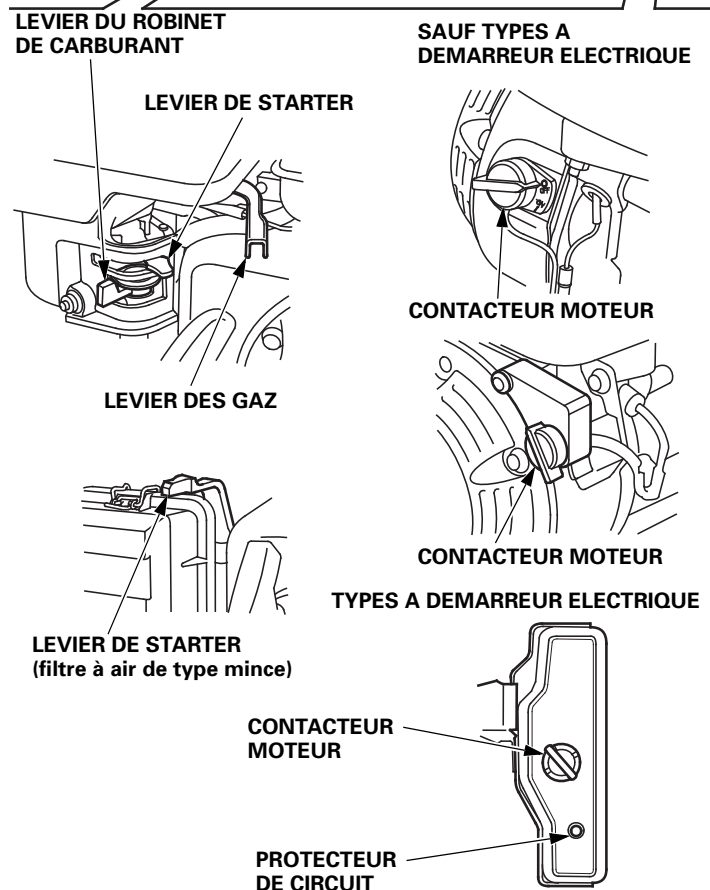
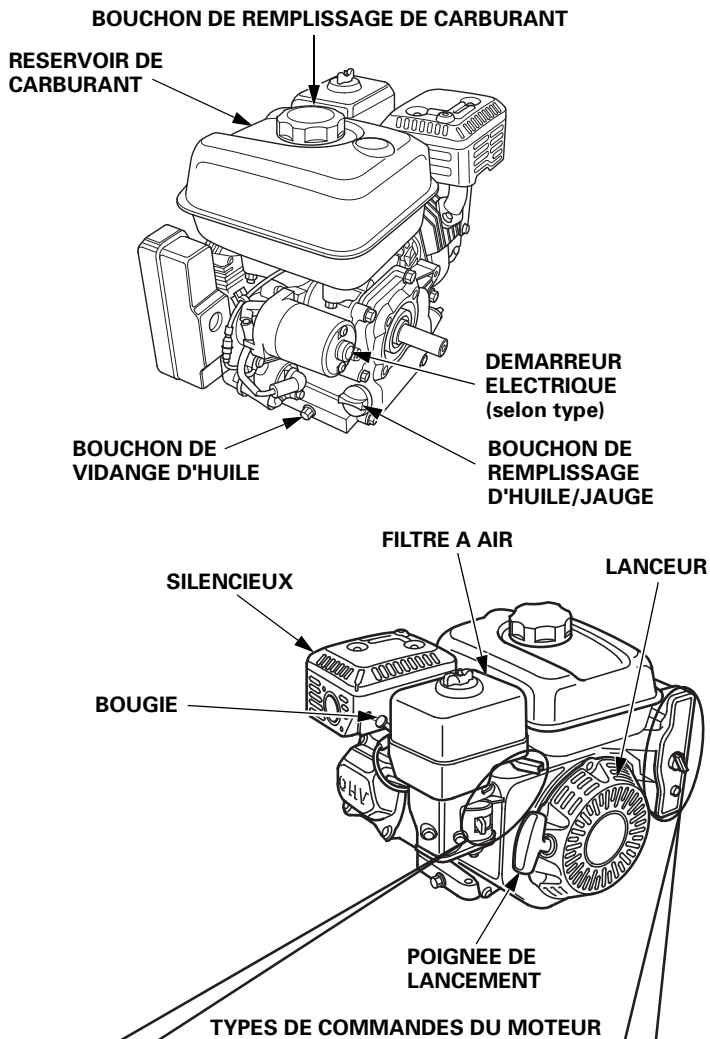


Lire le manuel de l'utilisateur avant l'utilisation.



Un silencieux chaud peut brûler. Ne pas s'en approcher lorsque le moteur vient de tourner.

EMPLACEMENT DES COMPOSANTS ET COMMANDES



PARTICULARITES

SYSTEME OIL ALERT® (selon type)

"Oil Alert est une marque déposée aux Etats-Unis."

Le système Oil Alert protège le moteur contre les dommages dus au manque d'huile dans le carter moteur. Avant que le niveau d'huile dans le carter moteur ne descende sous le seuil de sécurité, le vibreur sonore du système Oil Alert avertit l'utilisateur qu'il est nécessaire de remettre de l'huile.

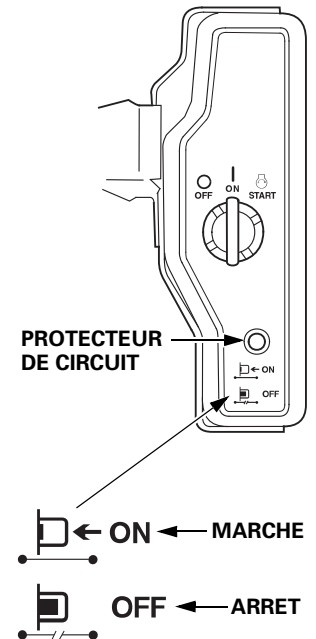
Si le moteur s'arrête et ne redémarre pas, vérifier le niveau de l'huile moteur (voir page 9) avant de procéder à la recherche d'une autre cause de panne.

PROTECTEUR DE CIRCUIT (selon type)

Le protecteur de circuit protège le circuit de charge de la batterie. Un court-circuit ou une batterie connectée avec une polarité inversée déclenche le protecteur de circuit.

L'indicateur vert à l'intérieur du protecteur de circuit sort pour indiquer que le circuit a été coupé. Dans un tel cas, rechercher la cause du problème et la corriger avant de réenclencher le protecteur de circuit.

Enfoncer le bouton du protecteur de circuit pour le réenclencher.



CONTROLES AVANT L'UTILISATION

LE MOTEUR EST-IL PRET A FONCTIONNER ?

Pour la sécurité, le respect de la réglementation sur l'environnement et la longévité de l'équipement, il est important de consacrer quelques instants à vérifier l'état du moteur avant l'utilisation. Corriger tout problème constaté ou confier cette opération au concessionnaire avant l'utilisation.

⚠ ATTENTION

Un entretien incorrect de ce moteur ou l'absence de correction d'un problème avant l'utilisation peut provoquer une anomalie susceptible d'entraîner des blessures graves ou mortelles.

Toujours effectuer les contrôles avant l'utilisation avant chaque utilisation et corriger tout problème.

Avant de commencer les contrôles avant l'utilisation, s'assurer que le moteur est à l'horizontale et que le contacteur moteur se trouve sur la position ARRET.

Toujours vérifier les points suivants avant de mettre le moteur en marche :

Vérifier l'état général du moteur

1. Vérifier qu'il n'y a pas de traces de fuites d'huile ou d'essence autour du moteur ou au-dessous.
2. Enlever toute saleté ou débris excessifs, tout particulièrement autour du silencieux et du lanceur.
3. Vérifier qu'il n'y a pas de signes de dommages.
4. S'assurer que tous les protecteurs et couvercles sont en place et que tous les écrous, boulons et vis sont serrés.

Vérifier le moteur

1. Vérifier le niveau de carburant (voir page 8). En démarrant avec un réservoir de carburant plein, on évitera ou réduira les interruptions de service pour faire le plein.
2. Vérifier le niveau d'huile du moteur (voir page 9). L'utilisation du moteur avec un niveau d'huile trop bas peut l'endommager.

Le système Oil Alert (selon type) arrête automatiquement le moteur avant que le niveau d'huile ne descende au-dessous du seuil de sécurité. Toutefois, pour éviter l'inconvénient d'un arrêt imprévu, toujours vérifier le niveau d'huile du moteur avant le démarrage.

3. Vérifier le niveau d'huile du carter de réducteur sur les types applicables (voir page 9). L'huile est essentielle au bon fonctionnement et à la longévité du carter de réducteur.
4. Vérifier l'élément de filtre à air (voir page 10). Un élément de filtre à air sale limite le passage d'air vers le carburateur, ce qui diminue les performances du moteur.
5. Vérifier l'équipement commandé par ce moteur.

Pour les précautions et procédures à observer avant le démarrage du moteur, consulter les instructions accompagnant l'équipement commandé par ce moteur.

UTILISATION

CONSIGNES DE SECURITE D'UTILISATION

Avant d'utiliser le moteur pour la première fois, lire la section *INFORMATIONS DE SECURITE* à la page 2 et la section *CONTROLES AVANT L'UTILISATION* à la page 4.

Par sécurité, ne pas faire fonctionner le moteur dans un endroit clos tel qu'un garage. Les gaz d'échappement du moteur contiennent du monoxyde de carbone, un gaz toxique qui peut s'accumuler rapidement dans un endroit clos et provoquer une intoxication ou la mort.

⚠ ATTENTION

Les gaz d'échappement contiennent du monoxyde de carbone, un gaz toxique qui peut s'accumuler à des niveaux dangereux dans des endroits clos. L'inhalation de monoxyde de carbone peut provoquer des évanouissements ou la mort.

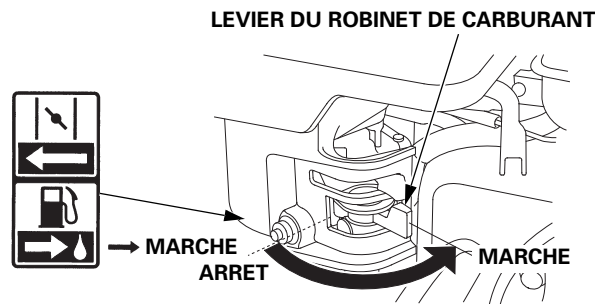
Ne jamais faire tourner le moteur dans un endroit clos, même partiellement, où il peut y avoir des personnes.

Pour les consignes de sécurité à observer au démarrage, lors de l'arrêt du moteur et pendant l'utilisation, consulter les instructions accompagnant l'équipement commandé par ce moteur.

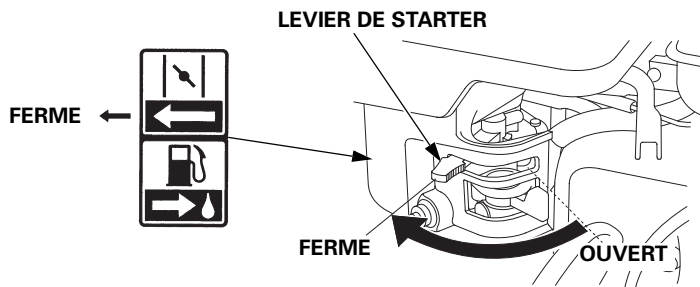
Ne pas faire fonctionner le moteur sur des pentes de plus de 20° (36 %).

DEMARRAGE DU MOTEUR

1. Placer le levier du robinet de carburant sur la position MARCHÉ.



2. Pour mettre en marche un moteur froid, placer le levier de starter sur la position FERME.

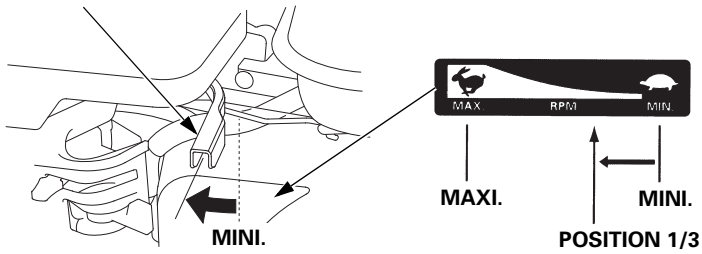


Pour remettre en marche un moteur chaud, laisser le levier de starter sur la position OUVERT.

Certaines applications du moteur utilisent une commande à distance de starter plutôt que le levier de starter du moteur représenté ici. Consulter les instructions fournies par le fabricant de l'équipement.

3. Déplacer le levier des gaz de la position MINI. jusqu'à 1/3 environ vers la position MAXI.

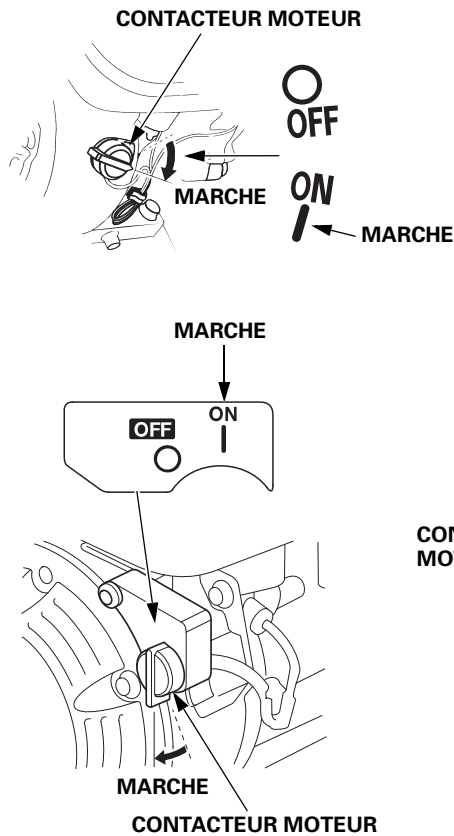
LEVIER DES GAZ



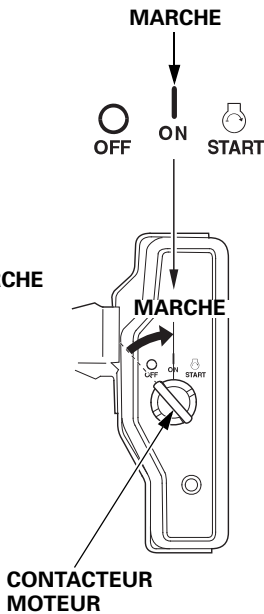
Certaines applications du moteur utilisent une commande à distance des gaz plutôt que le levier des gaz du moteur représenté ici. Consulter les instructions fournies par le fabricant de l'équipement.

4. Placer le contacteur moteur sur la position MARCHÉ.

SAUF TYPES A DEMARREUR ELECTRIQUE



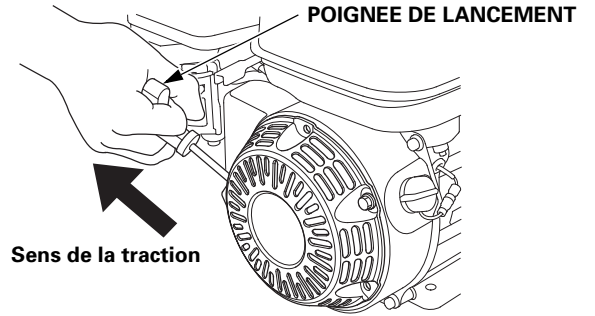
TYPES A DEMARREUR ELECTRIQUE



5. Actionner le démarreur.

LANCEUR :

Tirer doucement la poignée de lancement jusqu'à ce que l'on ressente une résistance, puis la tirer d'un coup sec dans le sens de la flèche comme sur la figure ci-dessous. Ramener doucement la poignée de lancement en arrière.



REMARQUE

Ne pas laisser la poignée de lancement revenir d'elle-même contre le moteur. Accompagner doucement son mouvement de retour pour ne pas risquer d'endommager le lanceur.

DEMARREUR ELECTRIQUE (selon type) :

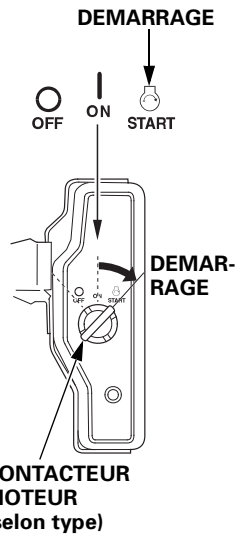
Placer la clé sur la position DEMARRAGE et la maintenir sur cette position jusqu'à ce que le moteur démarre.

Si le moteur ne part pas dans les 5 secondes, relâcher la clé et attendre au moins 10 secondes avant d'actionner à nouveau le démarreur.

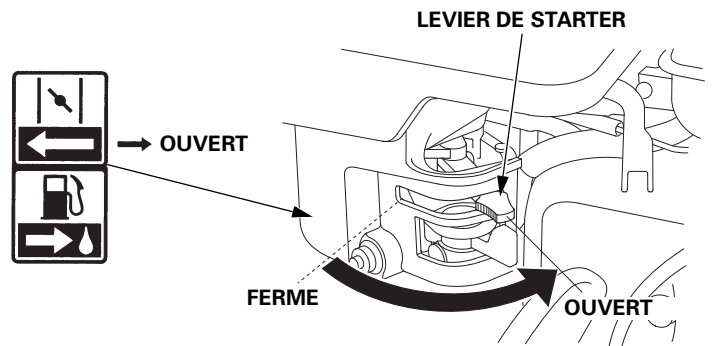
REMARQUE

Ne pas solliciter le démarreur électrique pendant plus de 5 secondes d'affilée car ceci le ferait surchauffer et pourrait l'endommager. Ce type de surchauffe n'est pas couvert par la garantie.

Lorsque le moteur démarre, relâcher la clé et la laisser revenir sur la position MARCHÉ.



6. Si l'on a placé le levier de starter sur la position FERME pour mettre le moteur en marche, le ramener progressivement sur la position OUVERT à mesure que le moteur chauffe.

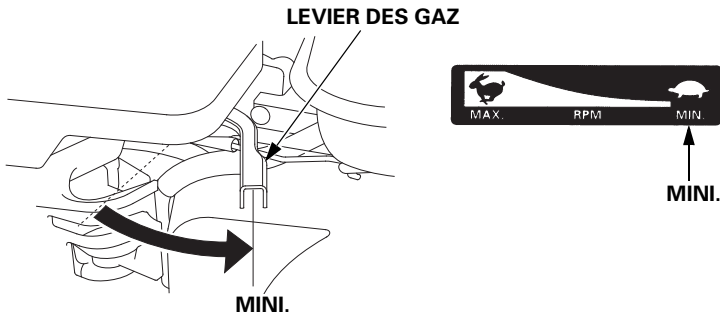


ARRET DU MOTEUR

Pour arrêter le moteur en cas d'urgence, placer simplement le contacteur moteur sur la position ARRET. Dans des conditions normales, procéder comme il est indiqué ci-dessous. Consulter les instructions fournies par le fabricant de l'équipement.

1. Placer le levier des gaz sur la position MINI.

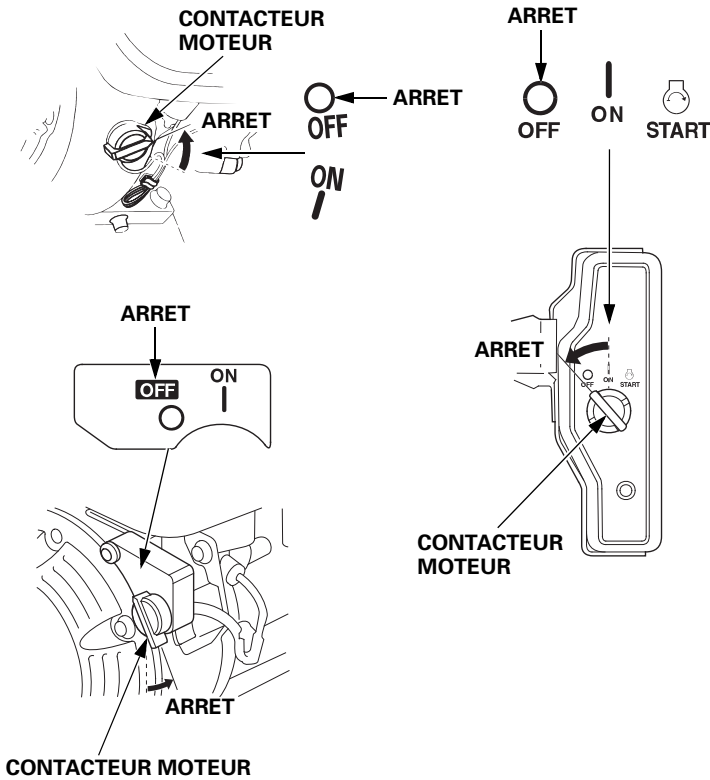
Certaines applications du moteur utilisent une commande à distance des gaz plutôt que le levier des gaz du moteur représenté ici.



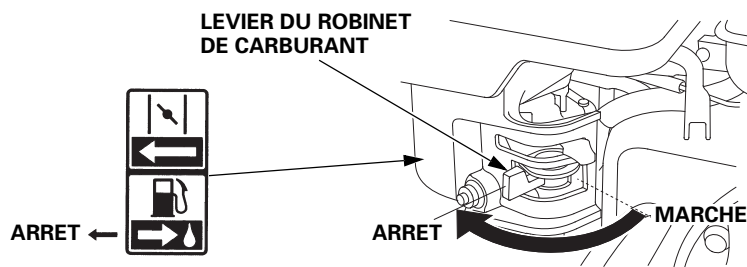
2. Placer le contacteur moteur sur la position ARRET.

SAUF TYPES A DEMARREUR ELECTRIQUE

TYPES A DEMARREUR ELECTRIQUE



3. Placer le levier du robinet de carburant sur la position ARRET.

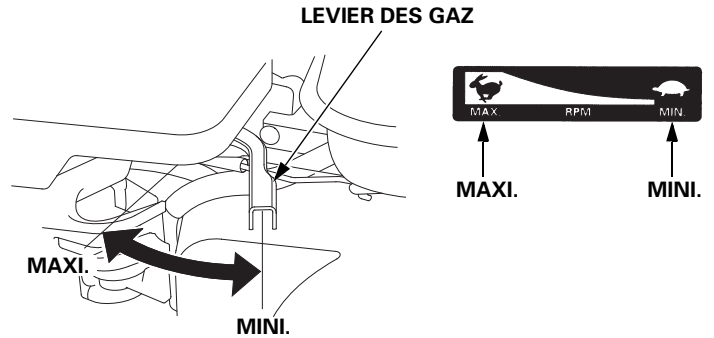


REGLAGE DU REGIME MOTEUR

Placer le levier des gaz sur la position correspondant au régime moteur désiré.

Certaines applications du moteur utilisent une commande à distance des gaz plutôt que le levier des gaz du moteur représenté ici. Consulter les instructions fournies par le fabricant de l'équipement.

Pour les recommandations de régime moteur, consulter les instructions accompagnant l'équipement commandé par ce moteur.



ENTRETIEN DU MOTEUR

L'IMPORTANCE DE L'ENTRETIEN

Un bon entretien est essentiel pour un fonctionnement sûr, économique et sans problème. Il contribue également à réduire la pollution.

⚠ ATTENTION

Un entretien incorrect ou l'absence de correction d'un problème avant l'utilisation peut provoquer une anomalie susceptible d'entraîner des blessures graves ou mortelles.

Toujours observer les recommandations et programmes de contrôle et d'entretien figurant dans ce manuel.

Pour permettre d'entretenir correctement le moteur, on trouvera aux pages suivantes un programme d'entretien, des procédures de contrôle de routine et des procédures d'entretien simples pouvant être effectuées avec des outils à main de base. D'autres opérations d'entretien plus difficiles ou demandant des outils spéciaux seront mieux exécutées par des professionnels et devront normalement être confiées à un technicien Honda ou à un autre mécanicien qualifié.

Le programme d'entretien s'applique à des conditions d'utilisation normales. Si l'on utilise le moteur dans des conditions sévères telles qu'un fonctionnement prolongé sous une charge élevée ou par haute température, ou dans des conditions anormalement humides ou poussiéreuses, demander au concessionnaire réparateur des recommandations pour des besoins et un usage particuliers.

L'entretien, le remplacement ou la réparation des dispositifs et systèmes antipollution peuvent être exécutés par toute entreprise ou par tout technicien de réparation de moteurs utilisant des pièces "certifiées" aux normes EPA.

SECURITE D'ENTRETIEN

Certaines des consignes de sécurité les plus importantes sont indiquées ci-dessous. Il ne nous est toutefois pas possible de vous avertir de tous les dangers imaginables que vous pouvez courir en exécutant l'entretien. Vous êtes seul juge de décider si vous devez ou non effectuer un travail donné.

⚠ ATTENTION

En n'observant pas correctement les instructions et précautions d'entretien, on s'expose à de graves blessures ou à un danger de mort.

Toujours observer les procédures et précautions de ce manuel.

CONSIGNES DE SECURITE

- Avant de commencer un entretien ou une réparation, s'assurer que le moteur est arrêté. Déconnecter le capuchon de bougie pour ne pas risquer un démarrage accidentel. Ceci éliminera plusieurs risques potentiels :
 - **Empoisonnement par le monoxyde de carbone provenant des gaz d'échappement du moteur.**
Utiliser le moteur à l'extérieur loin de toute fenêtre ou porte ouverte.
 - **Brûlures par des pièces chaudes.**
Laisser le moteur et le système d'échappement refroidir avant de les toucher.
 - **Blessures par des pièces mobiles.**
Ne faire tourner le moteur que si cela est indiqué dans les instructions.
- Lire les instructions avant de commencer et s'assurer que l'on dispose de l'outillage et des compétences nécessaires.
- Pour diminuer les risques d'incendie ou d'explosion, être prudent lorsqu'on travaille à proximité de l'essence. Pour nettoyer les pièces, n'utiliser que des solvants ininflammables et non de l'essence. Ne pas approcher de cigarettes, étincelles ou flammes des pièces du système d'alimentation en carburant.

Ne pas oublier que c'est le concessionnaire Honda agréé qui connaît le mieux le moteur et qu'il est parfaitement outillé pour son entretien et sa réparation.

Pour la meilleure qualité et fiabilité, n'utiliser que des pièces Honda authentiques neuves ou leur équivalent pour la réparation et le remplacement.

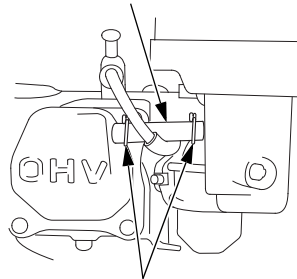
PROGRAMME D'ENTRETIEN

PERIODICITE D'ENTRETIEN (3) Exécuter l'entretien selon la périodicité indiquée en mois ou en heures de fonctionnement, à la première des deux échéances.		A chaque utilisation	Premier mois ou 20 h	Tous les 3 mois ou 50 h	Tous les 6 mois ou 100 h	Une fois par an ou 300 h	Se reporter à la page
Huile moteur	Contrôle du niveau	o					9
	Renouvellement		o		o		9
Huile de carter de réducteur (selon type)	Contrôle du niveau	o					9-10
	Renouvellement		o		o		10
Filtre à air	Contrôle	o					10
	Nettoyage			o (1)	o *(1)		11-12
	Remplacement					o**	
Coupelle de décantation	Nettoyage				o		12
Bougie	Contrôle-réglage				o		12
	Remplacement					o	
Pare-étincelles (selon type)	Nettoyage				o (4)		13
Régime de ralenti	Contrôle-réglage					o (2)	13
Jeu aux soupapes	Contrôle-réglage					o (2)	Manuel d'atelier
Chambre de combustion	Nettoyage	Toutes les 500 h (2)					Manuel d'atelier
Réservoir de carburant et filtre	Nettoyage				o (2)		Manuel d'atelier
Tuyau de carburant	Contrôle	Tous les 2 ans (Remplacer si nécessaire) (2)					Manuel d'atelier

- * • Carburateur de type à événement interne et double élément uniquement.
- Type cyclone tous les 6 mois ou 150 heures.

CARBURATEUR DE TYPE A EVENT INTERNE

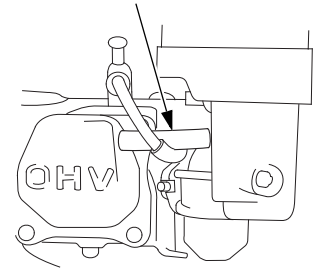
TUYAU DE RENIFLARD



COLLIER DE TUYAU

TYPE STANDARD

TUYAU DE RENIFLARD



- ** • Remplacer l'élément de type papier uniquement.
- Type cyclone tous les 2 ans ou 600 heures.

- (1) En cas d'utilisation dans des endroits poussiéreux, augmenter la fréquence d'entretien.
- (2) Confier l'entretien de ces points au concessionnaire à moins que l'on ne dispose des outils appropriés et ne soit mécaniquement compétent. Pour les procédures d'entretien, consulter le manuel d'atelier Honda.
- (3) Pour une utilisation commerciale, consigner le nombre d'heures de service afin de déterminer la périodicité d'entretien appropriée.
- (4) En Europe et dans les autres pays où la directive 2006/42/CE relative aux machines est en vigueur, ce nettoyage doit être effectué par le concessionnaire.

L'inobservation de ce programme d'entretien peut entraîner des problèmes non couverts par la garantie.

REPLISSAGE EN CARBURANT

Carburant recommandé

Essence sans plomb	
Etats-Unis	Indice d'octane pompe 86 ou plus
Hors Etats-Unis	Indice d'octane recherche 91 ou plus
	Indice d'octane pompe 86 ou plus

Ce moteur est certifié pour fonctionner avec de l'essence sans plomb ayant un indice d'octane pompe d'au moins 86 (ou un indice d'octane recherche d'au moins 91).

Faire le plein dans un endroit bien ventilé, moteur arrêté. Si le moteur vient de tourner, le laisser d'abord se refroidir. Ne jamais faire le plein à l'intérieur d'un bâtiment où les vapeurs d'essence peuvent atteindre des flammes ou des étincelles.

Il est possible d'utiliser une essence sans plomb ne contenant pas plus de 10 % d'éthanol (E10) ou 5 % de méthanol en volume. Le méthanol doit contenir des cosolvants et des inhibiteurs de corrosion.

L'utilisation de carburants ayant une teneur en éthanol ou méthanol supérieure à celle indiquée ci-dessus peut occasionner des problèmes de démarrage et/ou performances. Elle peut également endommager les pièces métalliques, en caoutchouc et en plastique du système d'alimentation en carburant. Les dommages au moteur ou problèmes de performances résultant de l'utilisation d'un carburant avec des pourcentages d'éthanol ou de méthanol supérieurs à ceux qui sont indiqués ci-dessus ne sont pas couverts par la garantie.

Si l'on ne compte utiliser l'équipement qu'occasionnellement ou par intermittence, consulter la section sur le carburant dans le chapitre REMISAGE DU MOTEUR (voir page 13) qui fournit des informations complémentaires sur la dégradation du carburant.

Ne jamais utiliser de l'essence viciée ou contaminée ou un mélange d'huile/essence. Empêcher la pénétration de saleté ou eau dans le réservoir de carburant.

⚠ ATTENTION

L'essence est très inflammable et explosive et l'on peut se brûler ou se blesser grièvement en faisant le plein.

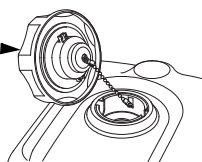
- Arrêter le moteur et ne pas autoriser de sources de chaleur, étincelles ou flammes à proximité.
- Ne faire le plein qu'à l'extérieur.
- Essuyer immédiatement tout carburant renversé.

REMARQUE

Le carburant peut endommager la peinture et certains types de plastiques. Veiller à ne pas renverser de carburant lorsqu'on remplit le réservoir. Les dommages causés par du carburant renversé ne sont pas couverts par la Garantie limitée du distributeur. Avant de mettre le moteur en marche, le déplacer d'au moins 1 mètre de la source et du lieu d'approvisionnement.

1. Avec le moteur arrêté et sur une surface horizontale, retirer le bouchon de remplissage de carburant et vérifier le niveau de carburant. Si le niveau de carburant est bas, remplir le réservoir.
2. Faire le plein jusqu'au bas de la limite de niveau maximum de carburant du réservoir. Ne pas trop remplir. Essuyer tout carburant renversé avant de mettre le moteur en marche.

**BOUCHON DE
REPLISSAGE
DE CARBURANT**



**NIVEAU
MAXIMUM DE
CARBURANT**

Faire le plein avec précaution pour éviter de renverser du carburant. Ne pas remplir le réservoir de carburant complètement. Dans certaines conditions d'utilisation, il peut être nécessaire de baisser le niveau du carburant. Après avoir fait le plein, revisser le bouchon de remplissage de carburant jusqu'au déclic.

Garder l'essence loin des veilleuses des appareils, barbecues, appareils électriques, outils électriques, etc.

Le carburant renversé ne fait pas seulement courir des risques d'incendie ; il est également nuisible pour l'environnement. Essuyer immédiatement tout carburant renversé.

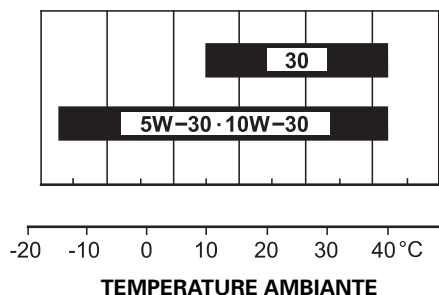
HUILE MOTEUR

L'huile est un facteur déterminant pour la performance et la durée de service.

Utiliser une huile détergente 4 temps pour automobile.

Huile recommandée

Utiliser une huile moteur 4 temps répondant au minimum aux prescriptions pour la catégorie de service API SJ ou ultérieure (ou équivalente). Toujours vérifier l'étiquette de service API sur le bidon d'huile pour s'assurer qu'elle porte bien la mention SJ ou ultérieure (ou équivalente).

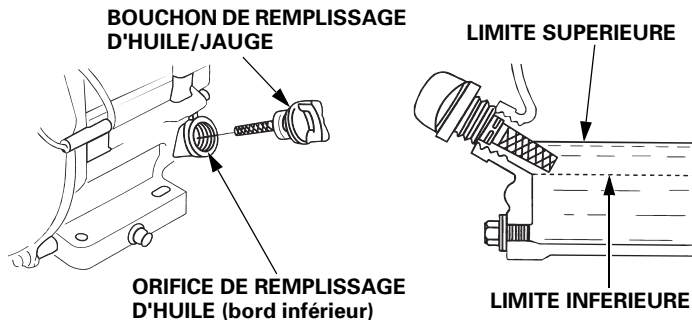


Une huile SAE 10W-30 est recommandée pour l'utilisation générale. Les autres viscosités indiquées dans le tableau peuvent être utilisées lorsque la température moyenne du lieu d'utilisation se trouve dans la plage indiquée.

Vérification du niveau d'huile

Vérifier le niveau d'huile du moteur avec le moteur arrêté et à l'horizontale.

1. Retirer le bouchon de remplissage d'huile/jauge et l'essuyer.
2. Introduire le bouchon de remplissage d'huile/jauge dans le goulot de remplissage d'huile comme sur la figure, sans le visser, puis le retirer pour vérifier le niveau d'huile.
3. Si le niveau d'huile est proche du repère de limite minimum de la jauge ou au-dessous, faire l'appoint d'huile recommandée (voir page 8) jusqu'au repère de limite maximum (bord inférieur de l'orifice de remplissage d'huile). Ne pas trop remplir.
4. Remettre le bouchon de remplissage d'huile/jauge en place.



REMARQUE

L'utilisation du moteur avec un niveau d'huile trop bas peut l'endommager.

Ce type de dommage n'est pas couvert par la Garantie limitée du distributeur.

Le système Oil Alert (selon type) arrête automatiquement le moteur avant que le niveau d'huile ne descende au-dessous du seuil de sécurité. Toutefois, pour éviter l'inconvénient d'un arrêt imprévu, toujours vérifier le niveau d'huile du moteur avant le démarrage.

Renouvellement d'huile

Vidanger l'huile usée alors que le moteur est chaud. La vidange s'effectue plus rapidement et plus complètement lorsque l'huile est chaude.

1. Placer un récipient approprié sous le moteur pour recueillir l'huile usée, puis retirer le bouchon de remplissage d'huile/jauge, le bouchon de vidange d'huile et la rondelle d'étanchéité.
2. Vidanger complètement l'huile usée, puis remettre le bouchon de vidange d'huile en place avec une rondelle d'étanchéité neuve et le serrer à fond.

Se débarrasser de l'huile moteur usée d'une manière compatible avec l'environnement. Nous conseillons de la porter dans un récipient fermé à la déchetterie locale ou à une station-service pour qu'elle soit recyclée. Ne pas la jeter aux ordures ni la déverser dans la terre ou dans un égout.

3. Moteur à l'horizontale, remplir d'huile recommandée (voir page 8) jusqu'au repère de limite maximum (bord inférieur de l'orifice de remplissage d'huile) de la jauge.

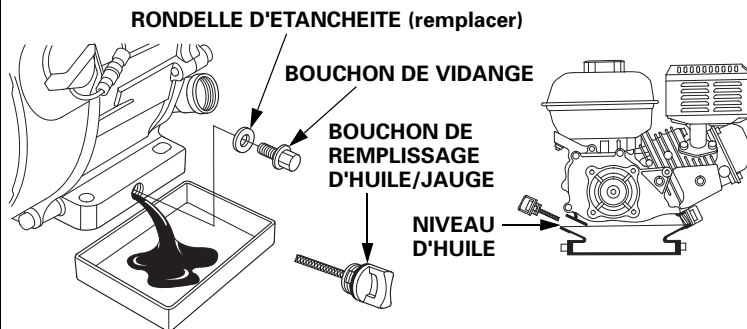
REMARQUE

L'utilisation du moteur avec un niveau d'huile trop bas peut l'endommager. Ce type de dommage n'est pas couvert par la Garantie limitée du distributeur.

Le système Oil Alert (selon type) arrête automatiquement le moteur avant que le niveau d'huile ne descende au-dessous du seuil de sécurité.

Toutefois, pour éviter l'inconvénient d'un arrêt imprévu, remplir jusqu'à la limite maximum et vérifier le niveau régulièrement.

4. Reposer le bouchon de remplissage d'huile/jauge et le serrer à fond.



Se laver les mains à l'eau savonneuse après manipulation de l'huile usagée.

HUILE DE CARTER DE REDUCTEUR (selon type)

Huile recommandée

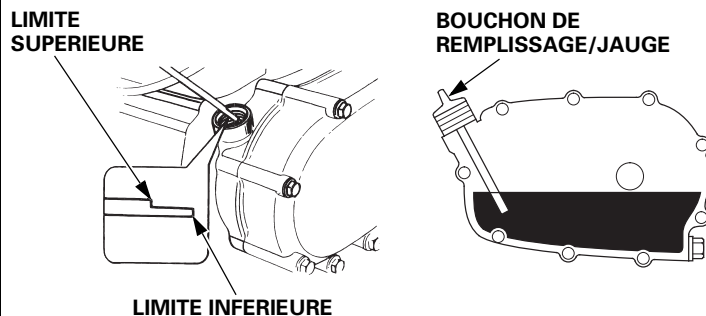
Utiliser la même huile que celle recommandée pour le moteur (voir page 8).

Vérification du niveau d'huile

Vérifier le niveau d'huile du carter de réducteur avec le moteur arrêté et à l'horizontale.

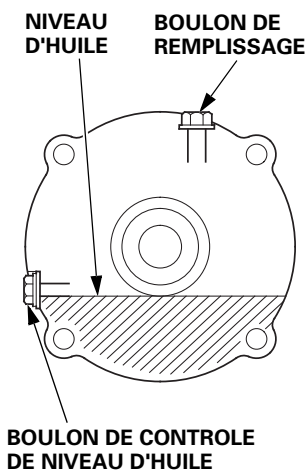
Carter de réducteur 2 : 1 avec embrayage centrifuge

1. Retirer le bouchon de remplissage d'huile/jauge et l'essuyer.
2. Remettre le bouchon de remplissage d'huile/jauge dans l'orifice de remplissage sans le visser, puis le retirer. Vérifier le niveau d'huile sur le bouchon de remplissage d'huile/jauge.
3. Si le niveau d'huile est bas, faire l'appoint d'huile recommandée jusqu'au repère de limite maximum de la jauge.
4. Visser le bouchon de remplissage d'huile/jauge et le serrer à fond.



Carter de réducteur 6 : 1

1. Retirer le boulon de contrôle de niveau d'huile et la rondelle, puis vérifier que le niveau d'huile atteint le bord de l'orifice du boulon.
2. Si le niveau d'huile se trouve sous l'orifice du boulon de contrôle, déposer le boulon de remplissage et la rondelle. Faire l'appoint d'huile recommandée (voir page 9) jusqu'à ce qu'elle commence à sortir par l'orifice du boulon de contrôle.
3. Reposer le boulon de contrôle de niveau d'huile, le boulon de remplissage et des rondelles neuves. Serrer à fond.



Renouvellement d'huile

Carter de réducteur 2 : 1 avec embrayage centrifuge

Vidanger l'huile usée alors que le moteur est chaud. La vidange s'effectue plus rapidement et plus complètement lorsque l'huile est chaude.

1. Placer un récipient approprié sous le carter de réducteur pour recueillir l'huile usée, puis retirer le bouchon de remplissage d'huile/jauge, le bouchon de vidange et la rondelle.
2. Vidanger complètement l'huile usée, puis remettre le bouchon de vidange en place avec une rondelle neuve et le serrer à fond.

Se débarrasser de l'huile moteur usée d'une manière compatible avec l'environnement. Nous conseillons de la porter dans un récipient fermé à la déchetterie locale ou à une station-service pour qu'elle soit recyclée. Ne pas la jeter aux ordures ni la déverser dans la terre ou dans un égout.

3. Avec le moteur à l'horizontale, remplir d'huile recommandée (voir page 9) jusqu'au repère de limite maximum de la jauge. Pour vérifier le niveau d'huile, introduire la jauge sans la visser dans l'orifice de remplissage et la retirer.

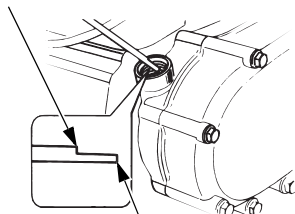
Contenance en huile du carter de réducteur : 0,50 L

REMARQUE

L'utilisation du moteur avec un niveau d'huile de carter de réducteur insuffisant peut provoquer des dommages au carter de réducteur.

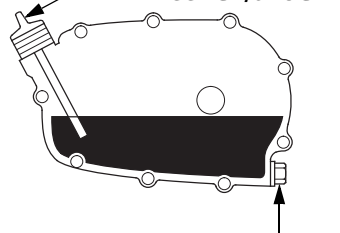
4. Visser correctement le bouchon de remplissage/jauge.

LIMITE SUPERIEURE



LIMITE INFÉRIEURE

BOUCHON DE REMPLISSAGE/JAUGE



BOUCHON DE VIDANGE

Se laver les mains à l'eau savonneuse après manipulation de l'huile usagée.

Carter de réducteur 6 : 1

Vidanger l'huile usée alors que le moteur est chaud. La vidange s'effectue plus rapidement et plus complètement lorsque l'huile est chaude.

1. Placer un récipient approprié sous le carter de réducteur pour recueillir l'huile usée, puis retirer le boulon de remplissage, le boulon de contrôle de niveau d'huile et les rondelles.
2. Vidanger complètement l'huile usée dans le récipient en inclinant le moteur vers l'orifice du boulon de contrôle de niveau d'huile.

Se débarrasser de l'huile moteur usée d'une manière compatible avec l'environnement. Nous conseillons de la porter dans un récipient fermé à la déchetterie locale ou à une station-service pour qu'elle soit recyclée. Ne pas la jeter aux ordures ni la déverser dans la terre ou dans un égout.

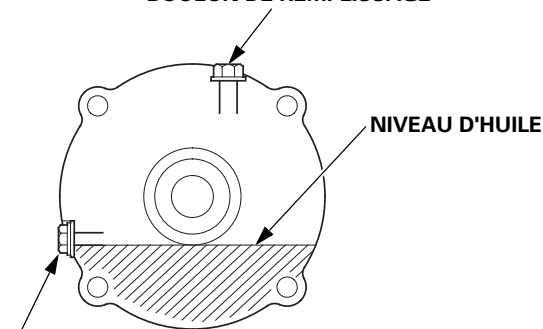
3. Avec le moteur à l'horizontale, remplir d'huile recommandée (voir page 9) jusqu'à ce qu'elle commence à sortir par l'orifice du boulon de contrôle.

REMARQUE

L'utilisation du moteur avec un niveau d'huile de carter de réducteur insuffisant peut provoquer des dommages au carter de réducteur.

4. Reposer le boulon de contrôle de niveau d'huile, le boulon de remplissage et des rondelles neuves, puis les serrer à fond.

BOULON DE REMPLISSAGE



BOULON DE CONTROLE DE NIVEAU D'HUILE

Se laver les mains à l'eau savonneuse après manipulation de l'huile usagée.

FILTRE A AIR

Un filtre à air sale restreint le passage d'air vers le carburateur et réduit ainsi les performances du moteur. Si l'on utilise le moteur dans des endroits très poussiéreux, nettoyer le filtre à air plus souvent qu'il n'est indiqué dans le PROGRAMME D'ENTRETIEN.

REMARQUE

Faire fonctionner le moteur sans filtre à air ou avec un filtre à air abîmé risque d'encrasser le moteur et de provoquer l'usure rapide du moteur. Ce type de dommage n'est pas couvert par la Garantie limitée du distributeur.

Contrôle

Déposer le couvercle de filtre à air et contrôler les éléments filtrants. Nettoyer ou remplacer des éléments filtrants sales. Toujours remplacer des éléments filtrants endommagés. Si le moteur est doté d'un filtre à air à bain d'huile, vérifier également le niveau d'huile.

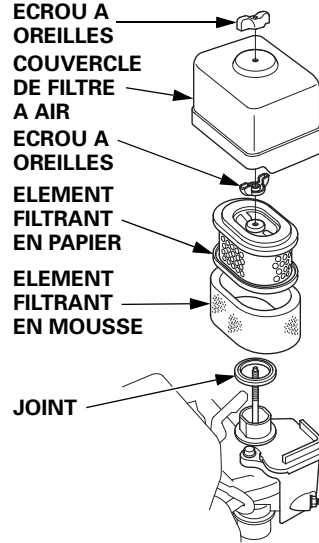
Pour les instructions relatives au filtre à air et à l'élément filtrant pour votre type de moteur, voir pages 11-12.

Nettoyage

Types à double élément filtrant

1. Retirer l'écrou à oreilles du couvercle de filtre à air et déposer le couvercle.
2. Retirer l'écrou à oreilles du filtre à air et déposer le filtre.
3. Déposer l'élément filtrant en mousse de l'élément filtrant en papier.
4. Contrôler les deux éléments du filtre à air et les remplacer s'ils sont endommagés. Toujours remplacer l'élément filtrant en papier aux intervalles prévus dans le programme d'entretien (voir page 7).

TYPE STANDARD A DOUBLE ELEMENT FILTRANT



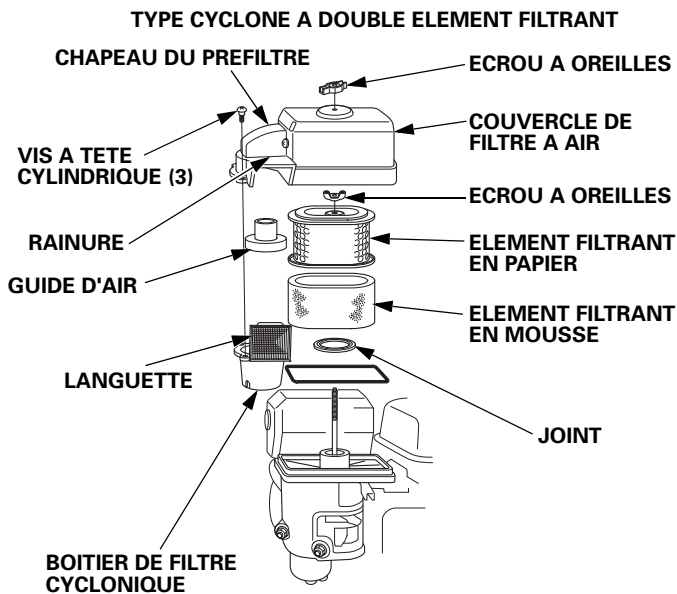
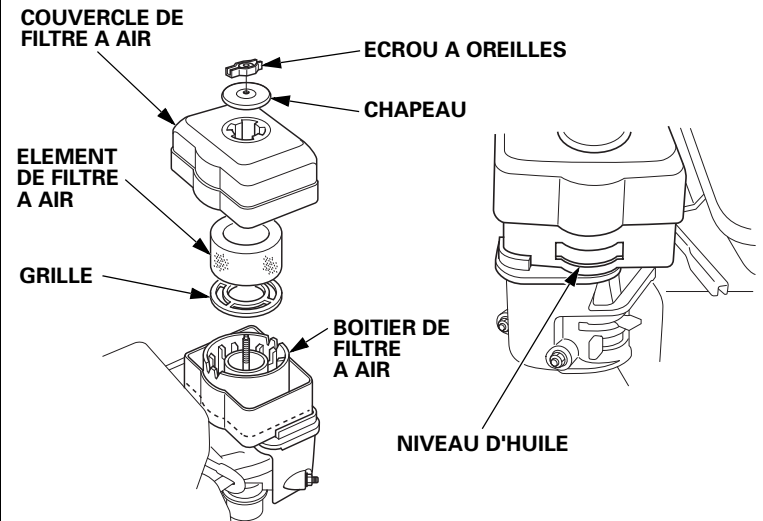
7. Essuyer la saleté à l'intérieur du boîtier et du couvercle de filtre à air à l'aide d'un chiffon humide. Veiller à ce que la saleté ne pénètre pas dans le conduit d'air menant au carburateur.
8. Placer l'élément filtrant en mousse sur l'élément en papier, puis reposer le filtre à air assemblé. S'assurer que le joint est en place sous le filtre à air. Serrer l'écrou à oreilles du filtre à air à fond.
9. Reposer le couvercle de filtre à air et serrer l'écrou à oreilles à fond.

Type à bain d'huile

1. Retirer l'écrou à oreilles et déposer le chapeau et le couvercle du filtre à air.
2. Déposer l'élément filtrant du couvercle. Laver le couvercle et l'élément filtrant dans de l'eau savonneuse chaude, les rincer et les laisser sécher complètement. On pourra également le nettoyer dans un solvant ininflammable, puis le laisser sécher.
3. Tremper l'élément filtrant dans de l'huile moteur propre, puis en éliminer toute huile en excès. S'il reste trop d'huile dans la mousse, le moteur fumera.
4. Vider l'huile usée du boîtier de filtre à air et laver toute saleté accumulée avec un solvant ininflammable, puis sécher le boîtier.
5. Remplir le boîtier de filtre à air jusqu'au repère NIVEAU D'HUILE avec la même huile que celle recommandée pour le moteur (voir page 8).

Contenance en huile : 60 cm³

6. Remonter le filtre à air et serrer l'écrou à oreilles à fond.



5. Nettoyer les éléments du filtre à air s'ils doivent être réutilisés.

Elément filtrant en papier : tapoter doucement l'élément filtrant à plusieurs reprises sur une surface dure pour en détacher la saleté ou appliquer un jet d'air comprimé [207 kPa (2,1 kgf/cm²) maximum] à travers l'élément filtrant depuis l'intérieur. Ne jamais essayer de faire partir la saleté avec une brosse ; ceci ne ferait qu'enfoncer la saleté dans les fibres.

Elément filtrant en mousse : nettoyer l'élément dans de l'eau savonneuse chaude, le rincer et le laisser sécher complètement. On pourra également le nettoyer dans un solvant ininflammable, puis le laisser sécher. Tremper l'élément filtrant dans de l'huile moteur propre, puis en éliminer toute huile en excès. S'il reste trop d'huile dans la mousse, le moteur fumera au démarrage.

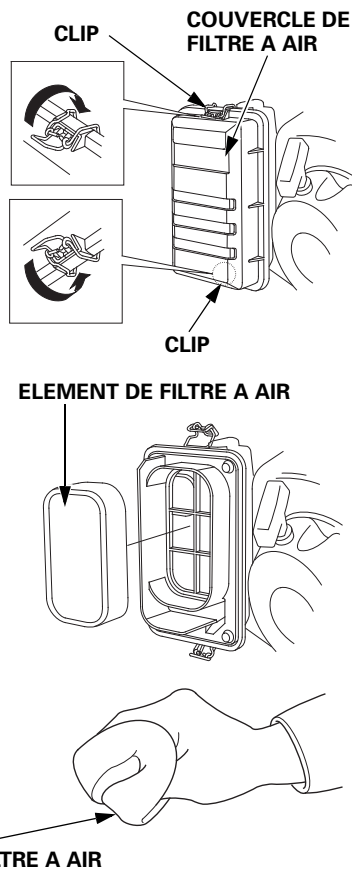
6. TYPE CYCLONIQUE SEULEMENT : retirer les trois vis à tête cylindrique du chapeau du préfiltre, puis déposer le boîtier de filtre cyclonique et le guide d'air. Laver les pièces avec de l'eau, les sécher complètement, puis les remonter.

Reposer le guide d'air comme sur l'illustration.

Reposer le boîtier de filtre cyclonique de façon que la languette d'admission d'air soit engagée dans la rainure du chapeau du préfiltre.

Types minces

1. Défaire les clips du couvercle de filtre à air, retirer le couvercle de filtre à air et sortir l'élément de filtre à air.
2. Laver l'élément dans une solution de détergent de ménage et d'eau chaude, puis le rincer entièrement ou le laver dans un solvant non inflammable ou à point d'éclair élevé. Laisser sécher complètement l'élément.
3. Tremper l'élément de filtre à air dans de l'huile moteur propre, puis en exprimer l'huile en excès. S'il reste trop d'huile dans l'élément, le moteur fumera au premier démarrage.
4. Reposer l'élément de filtre à air et le couvercle.



COUPELLE DE DECANTATION

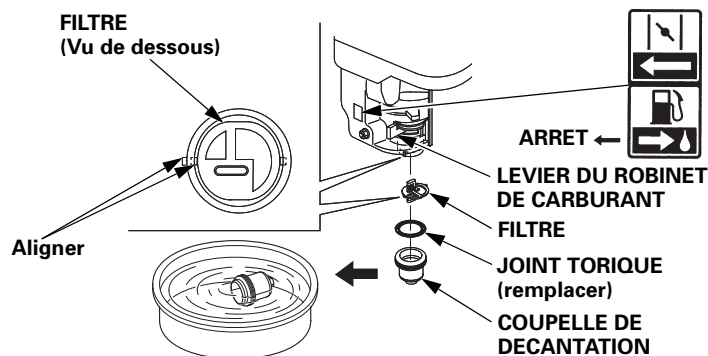
Nettoyage

⚠ ATTENTION

L'essence est très inflammable et explosive et l'on peut se brûler ou se blesser grièvement en la manipulant.

- Arrêter le moteur et ne pas autoriser de sources de chaleur, étincelles ou flammes à proximité.
- Ne manipuler le carburant qu'à l'extérieur.
- Essuyer immédiatement tout carburant renversé.

1. Placer le robinet de carburant sur la position ARRET, puis retirer la coupelle de décantation, le joint torique et le filtre.
2. Laver la coupelle de décantation et le filtre dans un solvant ininflammable et les sécher complètement.



3. Reposer le filtre, un joint torique neuf et la coupelle de décantation. Serrer la coupelle de décantation à fond.

4. Placer le robinet de carburant sur la position MARCHÉ et vérifier qu'il n'y a pas de fuites.

BOUGIE

Bougies recommandées : BPR6ES (NGK)
W20EPR-U (DENSO)

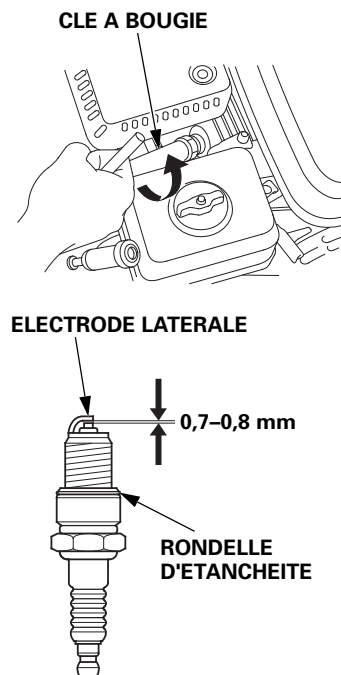
La bougie recommandée possède l'indice thermique correct pour des températures normales de fonctionnement du moteur.

REMARQUE

Une bougie incorrecte peut provoquer des dommages au moteur.

Pour que les performances soient bonnes, la bougie doit avoir un écartement des électrodes correct et ne pas être encrassée.

1. Déconnecter le capuchon de bougie et nettoyer toute saleté autour de la bougie.
2. Déposer la bougie avec une clé à bougie de 13/16 pouce.
3. Contrôler la bougie. La remplacer si elle est endommagée ou très encrassée, si sa rondelle d'étanchéité est en mauvais état ou si son électrode est usée.
4. Mesurer l'écartement des électrodes avec un calibre d'épaisseur à fils. Corriger l'écartement si nécessaire en pliant prudemment l'électrode latérale. L'écartement doit être de : 0,7-0,8 mm



5. Reposer la bougie avec précaution à la main pour éviter de foirer son filetage.
6. Lorsque la bougie a touché son siège, continuer à la serrer avec une clé à bougie de 13/16 pouce pour comprimer la rondelle d'étanchéité.

Si la bougie est neuve, la serrer de 1/2 tour après qu'elle a touché son siège pour comprimer la rondelle.

Si elle a déjà été utilisée, la serrer de 1/8 à 1/4 de tour après qu'elle a touché son siège pour comprimer la rondelle.

REMARQUE

Une bougie insuffisamment serrée peut surchauffer et endommager le moteur.

Un serrage excessif de la bougie peut endommager le filetage dans la culasse.

7. Fixer le capuchon de bougie sur la bougie.

PARE-ÉTINCELLES (selon type)

En Europe et dans les autres pays où la directive 2006/42/CE relative aux machines est en vigueur, ce nettoyage doit être effectué par le concessionnaire.

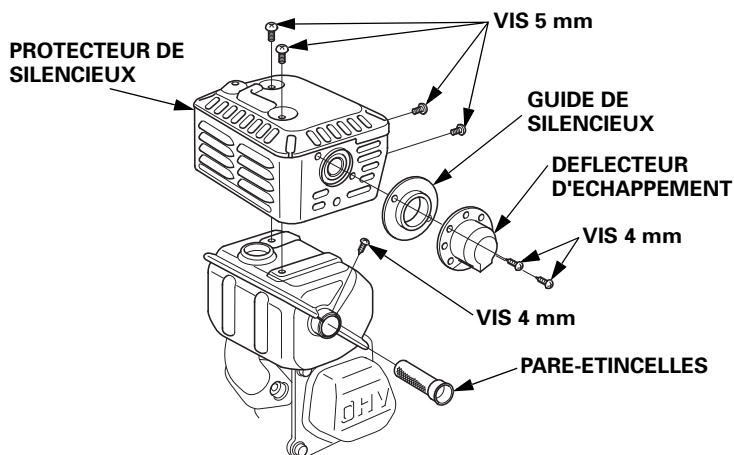
Selon le type de moteur, le pare-étincelles peut être une pièce standard ou en option. Dans certaines zones, il n'est pas autorisé d'utiliser un moteur sans pare-étincelles. Se renseigner sur la réglementation locale. Un pare-étincelles est en vente chez les concessionnaires Honda agréés.

Le pare-étincelles doit être entretenu toutes les 100 heures pour pouvoir continuer à fonctionner de la manière prévue.

Si le moteur vient de tourner, le silencieux sera chaud. Le laisser se refroidir avant de contrôler le pare-étincelles.

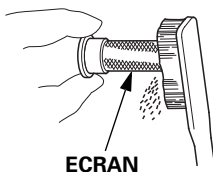
Dépose du pare-étincelles

1. Déposer le filtre à air (voir page 11).
2. Retirer les deux vis de 4 mm du déflecteur d'échappement, puis déposer le déflecteur et le guide de silencieux (selon type).
3. Retirer les quatre vis de 5 mm du protecteur de silencieux et déposer le protecteur de silencieux.
4. Retirer la vis de 4 mm du pare-étincelles et déposer le pare-étincelles du silencieux.



Nettoyage et contrôle du pare-étincelles

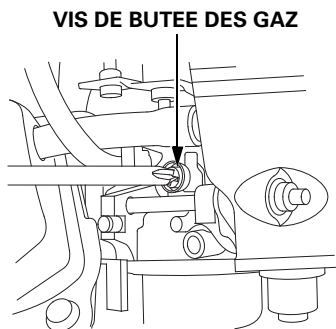
1. Utiliser une brosse pour retirer la calamine de l'écran du pare-étincelles. Veiller à ne pas endommager l'écran. Remplacer le pare-étincelles s'il est cassé ou percé.
2. Reposer le pare-étincelles, le protecteur de silencieux, le déflecteur d'échappement et le guide de silencieux dans l'ordre inverse de la dépose.
3. Reposer le filtre à air (voir page 11).



REGIME DE RALENTI

Réglage

1. Mettre le moteur en marche à l'extérieur et l'échauffer jusqu'à la température de fonctionnement.
2. Placer le levier des gaz sur la position minimum.
3. Tourner la vis butée de ralenti pour obtenir le régime de ralenti standard.



Régime de ralenti standard : 1 400⁺²⁰⁰/₋₁₅₀ tr/min

CONSEILS ET SUGGESTIONS UTILES

REMISAGE DU MOTEUR

Préparation au remisage

Une préparation au remisage appropriée est essentielle pour maintenir le moteur en bon état de fonctionnement et lui conserver son bel aspect. Les opérations suivantes contribueront à empêcher que la rouille et la corrosion n'affectent le fonctionnement et l'aspect du moteur et à faciliter le démarrage du moteur lors de sa remise en service.

Nettoyage

Si le moteur vient de tourner, le laisser se refroidir pendant au moins une demi-heure avant le nettoyage. Nettoyer toutes les surfaces extérieures, faire les retouches de peinture nécessaires et enduire toutes les parties susceptibles de rouiller d'une légère couche d'huile.

REMARQUE

L'utilisation d'un tuyau d'arrosage ou d'un dispositif de lavage sous pression peut faire pénétrer de l'eau dans le filtre à air ou dans l'ouverture du silencieux. L'eau dans le filtre à air imbibe alors l'élément filtrant, et l'eau qui traverse l'élément filtrant ou le silencieux peut pénétrer dans le cylindre et causer des dommages.

Carburant

REMARQUE

Selon le lieu d'utilisation de l'équipement, le carburant peut se dégrader et s'oxyder rapidement. La dégradation et l'oxydation du carburant peuvent se produire en seulement 30 jours et provoquer des dommages au carburateur et/ou système d'alimentation en carburant. Pour les recommandations sur le remisage local, se renseigner auprès du concessionnaire.

L'essence s'oxyde et se dégrade lors du remisage. Une essence dégradée rend le démarrage difficile et laisse des dépôts de gomme susceptibles de boucher le système d'alimentation en carburant. Si l'essence dans le moteur se dégrade pendant le remisage, une intervention sur le carburateur et d'autres pièces du système d'alimentation en carburant ou leur remplacement peut être nécessaire.

Le temps que l'essence peut rester dans votre réservoir de carburant et dans le carburateur sans causer de problèmes de fonctionnement peut varier en fonction de facteurs tels que les mélanges d'essence, les températures de stockage, et si le réservoir de carburant est partiellement ou complètement rempli. L'air dans un réservoir de carburant partiellement rempli favorise la dégradation de carburant. Des températures de stockage très élevées accélèrent la détérioration du carburant. Des problèmes de dégradation du carburant peuvent survenir après quelques mois ou même plus rapidement si l'essence n'était pas fraîche lorsqu'on a fait le plein.

Les dommages du système d'alimentation en carburant ou les problèmes de performances du moteur qui résultent d'une mauvaise préparation au remisage ne sont pas couverts par la *Garantie limitée du distributeur*.

On peut prolonger la durée de vie du carburant lors du remisage en ajoutant un stabilisateur d'essence spécialement formulé à cet effet ou l'on peut éviter les problèmes de dégradation du carburant en vidageant le réservoir de carburant et le carburateur.

Ajout d'un stabilisateur d'essence pour prolonger la durée de stockage du carburant

Lorsqu'on ajoute un stabilisateur d'essence, remplir le réservoir de carburant avec de l'essence fraîche. Si le réservoir n'est que partiellement rempli, l'air à l'intérieur favorise la dégradation du carburant pendant le remisage. Si l'on garde un bidon d'essence pour le ravitaillement, veiller à ce qu'il ne contienne que de l'essence fraîche.

1. Ajouter le stabilisateur d'essence en suivant les instructions du fabricant.
2. Après avoir ajouté le stabilisateur d'essence, faire tourner le moteur à l'extérieur pendant 10 minutes pour être sûr que l'essence traitée a remplacé l'essence non traitée dans le carburateur.
3. Arrêter le moteur.

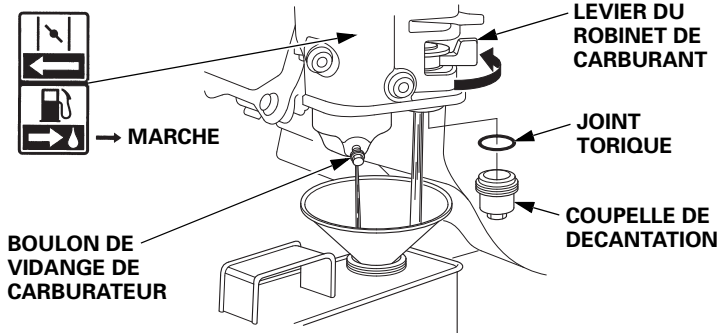
Vidange du réservoir de carburant et du carburateur

⚠ ATTENTION

L'essence est très inflammable et explosive et l'on peut se brûler ou se blesser grièvement en la manipulant.

- Arrêter le moteur et ne pas autoriser de sources de chaleur, étincelles ou flammes à proximité.
- Ne manipuler le carburant qu'à l'extérieur.
- Essuyer immédiatement tout carburant renversé.

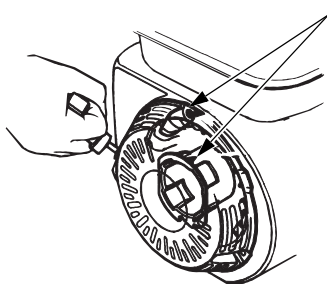
1. Placer le levier de robinet de carburant sur la position ARRET (voir page 6).
2. Placer un récipient d'essence agréé sous le carburateur et utiliser un entonnoir pour ne pas renverser de carburant.
3. Desserrer le boulon de vidange du carburateur. Déposer la coupelle de décantation et le joint torique, puis placer le levier du robinet de carburant sur la position MARCHE (voir page 4).



4. Après avoir vidangé tout le carburant dans le récipient, reposer la coupelle de décantation et un nouveau joint torique. Serrer le boulon de vidange de carburateur et la coupelle de décantation à fond.

Huile moteur

1. Renouveler l'huile moteur (voir page 9).
2. Déposer la bougie (voir page 12).
3. Verser une cuillère à café, soit 5 à 10 cm³, d'huile moteur propre dans le cylindre.
4. Tirer la corde de lancement à plusieurs reprises pour distribuer l'huile dans le cylindre.
5. Reposer la bougie.
6. Tirer la corde de lancement lentement jusqu'à ce qu'une résistance soit ressentie et que l'encoche de la poulie de lanceur vienne en regard de l'orifice en haut du couvercle de lanceur. Ceci ferme les soupapes pour empêcher l'humidité de pénétrer dans le cylindre du moteur. Ramener doucement la corde de lancement.



7. Type à démarreur électrique : déposer la batterie et la ranger dans un endroit frais et sec. La recharger une fois par mois.
8. Couvrir le moteur pour le protéger contre la poussière.

Précautions de remisage

Si l'on remise le moteur avec de l'essence dans le réservoir de carburant et le carburateur, il est important de réduire les risques d'inflammation des vapeurs d'essence. Choisir une zone de remisage bien aérée loin de tout appareil à flamme tel que fourneau, chauffe-eau ou séchoir à linge. Eviter également un endroit où un moteur électrique produisant des étincelles ou des outils électriques sont utilisés.

Eviter dans la mesure du possible des zones de remisage très humides car ceci favorise la rouille et la corrosion.

Garder le moteur à l'horizontale lors du remisage. Une inclinaison peut provoquer des fuites de carburant ou d'huile.

Alors que le moteur et le système d'échappement sont froids, couvrir le moteur pour le protéger contre la poussière. Un moteur ou un système d'échappement chaud peut enflammer ou faire fondre certaines matières. Ne pas utiliser de feuille de plastique à cet effet.

Une bâche non poreuse emprisonne l'humidité autour du moteur et favorise la rouille et la corrosion.

Si le moteur est équipé d'une batterie (pour les moteurs de type démarreur électrique), recharger la batterie une fois par mois pendant le remisage du moteur.

Ceci prolongera la durée de service de la batterie.

Fin du remisage

Vérifier le moteur comme il est indiqué à la section *CONTROLES AVANT L'UTILISATION* de ce manuel (voir page 4).

Si le carburant a été vidangé lors de la préparation au remisage, remplir le réservoir avec de l'essence fraîche. Si l'on garde un bidon d'essence pour le ravitaillement, veiller à ce qu'il ne contienne que de l'essence fraîche. L'essence s'oxyde et se dégrade avec le temps, ce qui rend le démarrage difficile.

Si le cylindre a été enduit d'huile lors de la préparation au remisage, le moteur fume brièvement au démarrage. Ceci est normal.

TRANSPORT

Si le moteur vient de tourner, le laisser se refroidir pendant au moins 15 minutes avant de charger l'équipement commandé par lui sur le véhicule de transport. Un moteur ou un système d'échappement chaud peut provoquer des brûlures et enflammer certaines matières.

Garder le moteur à l'horizontale lors du transport pour réduire les risques de fuites de carburant. Placer le levier de robinet de carburant sur la position ARRET (voir page 6).

EN CAS DE PROBLEME INATTENDU

LE MOTEUR NE DEMARRE PAS

Cause possible	Remède
Batterie déchargée.	Recharger la batterie.
Fusible grillé.	Remplacer le fusible (p. 15).
Robinet de carburant sur ARRET.	Placer le levier sur la position MARCHE.
Starter ouvert.	Placer le levier sur la position FERME à moins que le moteur ne soit chaud.
Contacteur moteur sur ARRET.	Placer le contacteur moteur sur la position MARCHE.
Niveau d'huile moteur bas (modèles avec Oil Alert).	Faire l'appoint d'huile recommandée jusqu'au niveau voulu (p. 9).
Absence de carburant.	Faire le plein de carburant (p. 8).
Carburant de mauvaise qualité, moteur remisé sans traiter ou vidanger l'essence, ou remplissage avec une essence de mauvaise qualité.	Vidanger le réservoir de carburant et le carburateur (p. 14). Remplir d'essence fraîche (p. 8).
Bougie défectueuse, encrassée ou mauvais écartement des électrodes.	Régler l'écartement ou remplacer la bougie (p. 12).
Bougie noyée par le carburant (moteur noyé).	Sécher puis reposer la bougie. Démarrer le moteur avec le levier des gaz sur la position MAXI.
Filtre à carburant colmaté, anomalie de fonctionnement du carburateur ou de l'allumage, soupapes gommées, etc.	Apporter le moteur au concessionnaire réparateur ou se reporter au manuel d'atelier.

LE MOTEUR MANQUE DE PUISSANCE

Cause possible	Remède
Élément(s) filtrant(s) colmaté(s).	Nettoyer ou remplacer l'(es) élément(s) filtrant(s) (p. 11–12).
Carburant de mauvaise qualité, moteur remisé sans traiter ou vidanger l'essence, ou remplissage avec une essence de mauvaise qualité.	Vidanger le réservoir de carburant et le carburateur (p. 14). Remplir d'essence fraîche (p. 8).
Filtre à carburant colmaté, anomalie de fonctionnement du carburateur ou de l'allumage, soupapes gommées, etc.	Apporter le moteur au concessionnaire réparateur ou se reporter au manuel d'atelier.

REPLACEMENT DU FUSIBLE (selon type)

Le circuit de relais du démarreur électrique et le circuit de charge de la batterie sont protégés par un fusible. Si le fusible saute, le démarreur électrique ne fonctionnera pas. Lorsque le fusible a sauté, on peut mettre le moteur en marche manuellement, mais la batterie ne se charge pas pendant le fonctionnement.

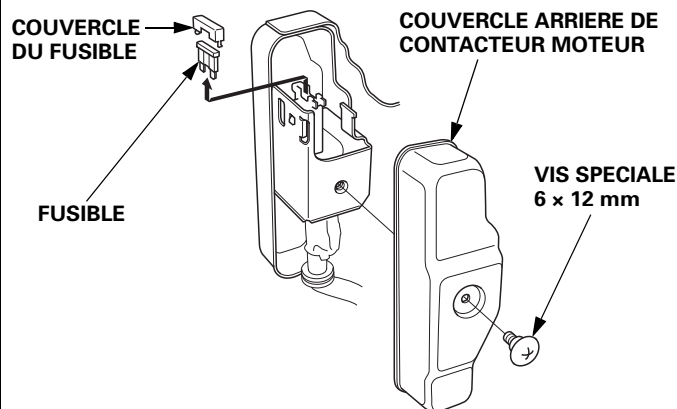
1. Déposer la vis spéciale de 6 × 12 mm du couvercle arrière de la boîte du contacteur moteur et retirer le couvercle arrière.
2. Retirer le couvercle du fusible, déposer le fusible et le contrôler.

Si le fusible a sauté, le mettre au rebut. Poser un fusible neuf du même ampérage que celui retiré et remettre le couvercle en place. Pour toute question concernant l'ampérage du fusible d'origine, s'adresser au concessionnaire réparateur Honda.

REMARQUE

Ne jamais utiliser un fusible d'ampérage supérieur au fusible d'origine du moteur. Ceci pourrait causer d'importants dommages au système électrique ou un incendie.

3. Reposer le couvercle arrière. Poser la vis de 6 × 12 mm et la serrer à fond.

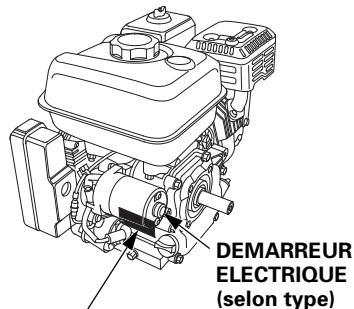


Si le fusible saute fréquemment, ceci signale généralement un court-circuit ou une surcharge dans le circuit électrique. Porter alors le moteur chez un concessionnaire Honda pour le faire réparer.

INFORMATIONS TECHNIQUES

Emplacement du numéro de série

Noter le numéro de série du moteur, le type et la date d'achat dans les espaces ci-dessous. Ces informations seront nécessaires pour la commande de pièces et les demandes de renseignements techniques ou de garantie.



EMPLACEMENT DU NUMERO DE SERIE ET DU TYPE DE MOTEUR

Numéro de série du moteur : _____

Type de moteur : _____

Date d'achat : ____ / ____ / ____

Raccordements de la batterie pour le démarreur électrique (selon type)

Utiliser une batterie de 12 volts avec une capacité nominale en ampères-heures d'au moins 18 Ah.

Veiller à ne pas connecter la batterie avec une polarité inversée car cela court-circuiterait le système de charge de la batterie. Toujours connecter le câble positif (+) de la batterie à la borne de la batterie avant de connecter le câble négatif (-) de la batterie afin de ne pas risquer de provoquer un court-circuit en touchant une pièce reliée à la masse avec l'outil lors du serrage de l'extrémité du câble positif (+) de la batterie.

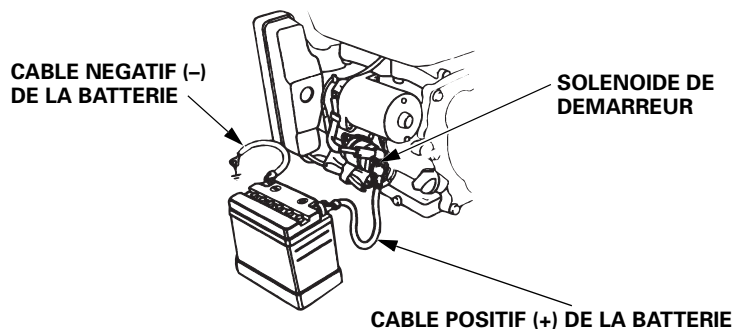
⚠ ATTENTION

Si l'on n'observe pas la procédure correcte, la batterie peut exploser et blesser grièvement quelqu'un à proximité.

Ne pas approcher d'étincelles, flammes vives et cigarettes de la batterie.

ATTENTION : Les bornes, cosses et accessoires connexes de la batterie contiennent du plomb et des composés de plomb. **Se laver les mains après les avoir manipulés.**

1. Connecter le câble positif (+) de la batterie à la borne du solénoïde de démarreur comme sur la figure.
2. Connecter le câble négatif (-) de la batterie à un boulon de montage du moteur, un boulon du châssis ou une autre bonne connexion de masse du moteur.
3. Connecter le câble positif (+) de la batterie à la borne positive (+) de la batterie comme sur la figure.
4. Connecter le câble négatif (-) de la batterie à la borne négative (-) de la batterie comme sur la figure.
5. Enduire les bornes et les extrémités de câble avec de la graisse.

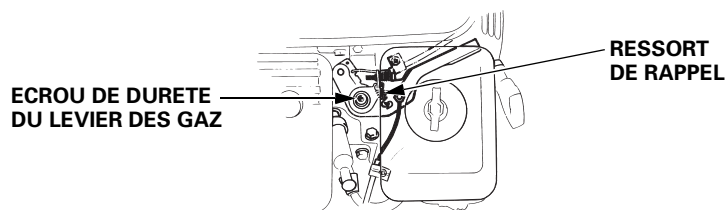


Tringlerie de commande à distance

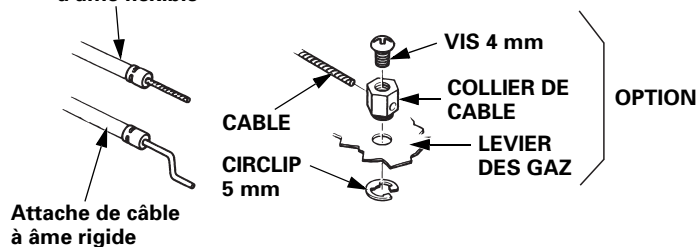
Les leviers des gaz et de starter comportent des orifices pour la fixation d'un câble en option. Les illustrations suivantes présentent des exemples d'installation d'un câble métallique massif et d'un câble métallique tressé flexible. Si l'on utilise un câble métallique tressé flexible, ajouter un ressort de rappel comme sur la figure.

Pour commander les gaz à l'aide d'une commande à distance, desserrer l'écrou de dureté du levier des gaz.

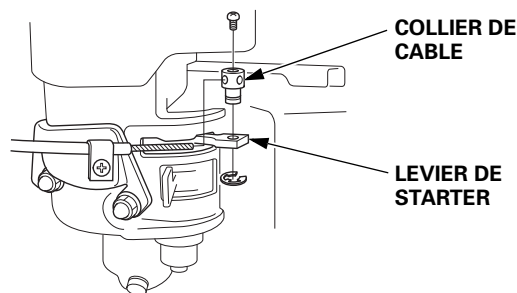
TRINGLERIE DE COMMANDE A DISTANCE DES GAZ



Fixation de câble à âme flexible



TRINGLERIE DE COMMANDE A DISTANCE DU STARTER



Modifications du carburateur pour une utilisation à haute altitude

En haute altitude, le mélange air-carburant standard du carburateur s'enrichit excessivement. Les performances du moteur diminuent et la consommation de carburant augmente. Un mélange très riche encrasse également la bougie et rend le démarrage difficile. Une utilisation prolongée à des altitudes différentes de celles pour lesquelles ce moteur a été certifié peut entraîner une augmentation des émissions polluantes.

On peut améliorer les performances en haute altitude en effectuant certaines modifications sur le carburateur. Si l'on utilise toujours le moteur à des altitudes supérieures à 1 500 mètres, demander au concessionnaire d'effectuer ces modifications du carburateur. Lors d'une utilisation en haute altitude, le moteur satisfera aux normes antipollution pendant toute sa durée de service si les modifications du carburateur pour une utilisation en haute altitude ont été effectuées.

Même avec un carburateur modifié, la puissance du moteur diminuera d'environ 3,5 % pour chaque augmentation d'altitude de 300 mètres. Si le carburateur n'est pas modifié, l'effet de l'altitude sur la puissance sera encore plus important.

REMARQUE

Lorsque le carburateur a été modifié pour une utilisation à haute altitude, le mélange air-carburant est trop pauvre pour une utilisation à basse altitude. L'utilisation à des altitudes inférieures à 1 500 mètres avec un carburateur modifié peut provoquer une surchauffe du moteur et entraîner d'importants dommages au moteur. Pour une utilisation à basse altitude, faire remettre le carburateur aux spécifications d'usine d'origine par le concessionnaire.

Informations sur le système antipollution

Source des émissions polluantes

La combustion du carburant s'accompagne d'un rejet de monoxyde de carbone, d'oxydes d'azote et d'hydrocarbures. Il est très important de contrôler les hydrocarbures et les oxydes d'azote car, dans certaines conditions, ils réagissent à la lumière du soleil pour former un brouillard photochimique. Le monoxyde de carbone ne réagit pas de la même manière, mais il est toxique.

Honda utilise des proportions air/carburant appropriées et d'autres systèmes antipollution pour réduire les rejets de monoxyde de carbone, d'oxydes d'azote et d'hydrocarbures.

Les circuits de carburant Honda utilisent par ailleurs des pièces et technologies de commande pour réduire l'évaporation de carburant.

Etats-Unis, California Clean Air Act et Environnement Canada

La réglementation de l'EPA (agence de protection de l'environnement), de Californie et du Canada exige de tous les fabricants qu'ils fournissent des instructions écrites décrivant le fonctionnement et l'entretien des systèmes antipollution.

Les instructions et procédures suivantes doivent être respectées afin de maintenir les émissions polluantes du moteur Honda dans les limites autorisées par les normes.

Modification non autorisée et altération

La modification non autorisée ou l'altération du système antipollution peut entraîner une augmentation des émissions polluantes au-delà de la limite légale. Les actions suivantes constituent notamment des modifications non autorisées :

- Retrait ou altération d'une pièce quelconque des systèmes d'admission, d'alimentation en carburant ou d'échappement.
- Altération ou neutralisation de la tringlerie du régulateur de régime ou du mécanisme de réglage de régime ayant pour effet de faire fonctionner le moteur en dehors de ses paramètres de conception.

Problèmes pouvant avoir une incidence sur les émissions polluantes

Si l'on constate l'un des symptômes suivants, faire contrôler et réparer le moteur par le concessionnaire.

- Démarrage difficile ou calage après le démarrage.
- Ralenti irrégulier.
- Ratés d'allumage ou retours de flammes en charge.
- Postcombustion (retours de flamme).
- Fumée d'échappement noire ou consommation de carburant excessive.

Pièces de rechange

Les systèmes antipollution du moteur Honda ont été conçus, fabriqués et homologués conformément à la réglementation sur la pollution de l'EPA (agence de protection de l'environnement), de Californie et du Canada. Nous recommandons d'utiliser des pièces Honda d'origine lors de tout entretien.

Ces pièces de rechange ont la conception d'origine et sont fabriquées en appliquant les mêmes normes que les pièces initiales, ce qui garantit la fiabilité de leurs performances. L'utilisation de pièces de rechange n'ayant pas la conception et la qualité d'origine peut nuire à l'efficacité du système antipollution.

Le fabricant d'une pièce du marché des pièces de rechange assume la responsabilité que cette pièce n'affectera pas la performance antipollution. Le fabricant ou le constructeur de la pièce doit certifier que l'utilisation de cette pièce n'empêchera pas le moteur de se conformer à la réglementation sur la pollution.

Entretien

Observer le programme d'entretien de la page 7. Ne pas oublier que ce programme présuppose que la machine sera utilisée pour l'application pour laquelle elle est prévue. Une utilisation prolongée sous une charge élevée ou par haute température, ou dans des conditions anormalement humides ou poussiéreuses demande un entretien plus fréquent.

Indice atmosphérique (Modèles homologués pour la vente en Californie)

Une étiquette d'informations sur l'indice atmosphérique est apposée sur les moteurs certifiés pour une période d'endurance des pièces antipollution conformément aux exigences du California Air Resources Board.

Le barre-graphe permet au client de comparer les performances antipollution des moteurs disponibles. Plus l'indice atmosphérique est faible, moindre est la pollution.

La désignation d'endurance fournit des informations relatives à la période d'endurance des pièces antipollution du moteur. La durée de désignation est la durée de service utile du système antipollution du moteur. Pour plus d'informations, consulter la *Garantie du système antipollution*.

Durée de désignation	Applicable à la période d'endurance des pièces antipollution
Modérée	50 heures (0 à 80 cm ³ inclus) 125 heures (plus de 80 cm ³)
Intermédiaire	125 heures (0 à 80 cm ³ inclus) 250 heures (plus de 80 cm ³)
Prolongée	300 heures (0 à 80 cm ³ inclus) 500 heures (plus de 80 cm ³) 1 000 heures (225 cm ³ et plus)

Spécifications

GX120 (arbre de prise de force type S avec réservoir de carburant)

Longueur × largeur × hauteur	297 × 346 × 329 mm
Masse à sec [poids]	13,0 kg
Type de moteur	4 temps, soupapes en tête, monocylindre
Cylindrée [alésage × course]	118 cm ³ [60,0 × 42,0 mm]
Puissance nette (conformément à la norme SAE J1349*)	2,6 kW (3,5 PS) à 3 600 tr/min
Couple net maxi. (conformément à la norme SAE J1349*)	7,3 N·m (0,74 kgf·m) à 2 500 tr/min
Contenance en huile moteur	0,56 L
Contenance du réservoir de carburant	2,0 L
Refroidissement	Forcé par circulation d'air
Allumage	Magnéto à transistors
Rotation de l'arbre de prise de force	Sens contraire des aiguilles d'une montre

GX160 (Arbre de prise de force type S, avec réservoir de carburant)

Longueur × largeur × hauteur	304 × 362 × 346 mm
Masse à sec [poids]	15,1 kg
Type de moteur	4 temps, soupapes en tête, monocylindre
Cylindrée [alésage × course]	163 cm ³ [68,0 × 45,0 mm]
Puissance nette (conformément à la norme SAE J1349*)	3,6 kW (4,9 PS) à 3 600 tr/min
Couple net maxi. (conformément à la norme SAE J1349*)	10,3 N·m (1,05 kgf·m) à 2 500 tr/min
Contenance en huile moteur	0,58 L
Contenance du réservoir de carburant	3,1 L
Refroidissement	Forcé par circulation d'air
Allumage	Magnéto à transistors
Rotation de l'arbre de prise de force	Sens contraire des aiguilles d'une montre

GX200 (Arbre de prise de force type S, avec réservoir de carburant)

Longueur × largeur × hauteur	313 × 376 × 346 mm
Masse à sec [poids]	16,1 kg
Type de moteur	4 temps, soupapes en tête, monocylindre
Cylindrée [alésage × course]	196 cm ³ [68,0 × 54,0 mm]
Puissance nette (conformément à la norme SAE J1349*)	4,1 kW (5,6 PS) à 3 600 tr/min
Couple net maxi. (conformément à la norme SAE J1349*)	12,4 N·m (1,26 kgf·m) à 2 500 tr/min
Contenance en huile moteur	0,60 L
Contenance du réservoir de carburant	3,1 L
Refroidissement	Forcé par circulation d'air
Allumage	Magnéto à transistors
Rotation de l'arbre de prise de force	Sens contraire des aiguilles d'une montre

* La puissance nominale du moteur indiquée dans ce document est la puissance de sortie nette testée sur un moteur de série de ce modèle et mesurée conformément à SAE J1349 à 3 600 tr/min (puissance nette) et à 2 500 tr/min (couple net maxi). Les moteurs produits en série peuvent s'écarter de cette valeur.

La puissance de sortie réelle lorsque le moteur est installé dans la machine finale variera en fonction de plusieurs facteurs, y compris la vitesse de fonctionnement du moteur pendant l'utilisation, les conditions environnementales, la maintenance et autres variables.

Caractéristiques de mise au point GX120/160/200

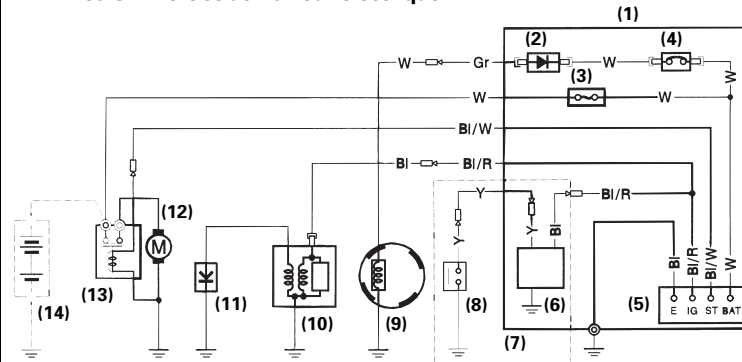
POSTE	SPECIFICATION	ENTRETIEN
Ecartement des électrodes	0,7–0,8 mm	Se reporter à la page : 12
Régime de ralenti	1 400 ⁺²⁰⁰ / ₋₁₅₀ tr/min	Se reporter à la page : 13
Jeu aux soupapes (à froid)	GX120 GX200 ADM : 0,15 ± 0,02 mm ECH : 0,20 ± 0,02 mm	Consulter le concessionnaire Honda agréé.
	GX160 ADM : 0,08 ± 0,02 mm ECH : 0,10 ± 0,02 mm	
Autres caractéristiques	Aucun autre réglage n'est requis.	

Informations de référence rapide

Carburant	Essence sans plomb (se reporter à la page 8)	
	Etats-Unis	Indice d'octane pompe 86 ou plus
	En dehors des Etats-Unis	Indice d'octane recherche 91 ou plus Indice d'octane pompe 86 ou plus
Huile moteur	SAE 10W-30, API SJ ou ultérieure, pour usage général. Se reporter à la page 8.	
Huile de carter de réducteur	Identique à l'huile moteur, voir plus haut (selon type).	
Bougie	BPR6ES (NGK) W20EPR-U (DENSO)	
Entretien	Avant chaque utilisation :	
	<ul style="list-style-type: none"> • Contrôler le niveau d'huile moteur. Se reporter à la page 9. • Vérifier l'huile de carter de réducteur (selon type). Se reporter à la page 9–10. • Contrôler le filtre à air. Se reporter à la page 10. 	
	Aux 20 premières heures :	
<ul style="list-style-type: none"> • Changer l'huile moteur. Se reporter à la page 9. • Changer l'huile de carter de réducteur (selon type). Se reporter à la page 10. 		
Par la suite :		
Se reporter au programme d'entretien de la page 7.		

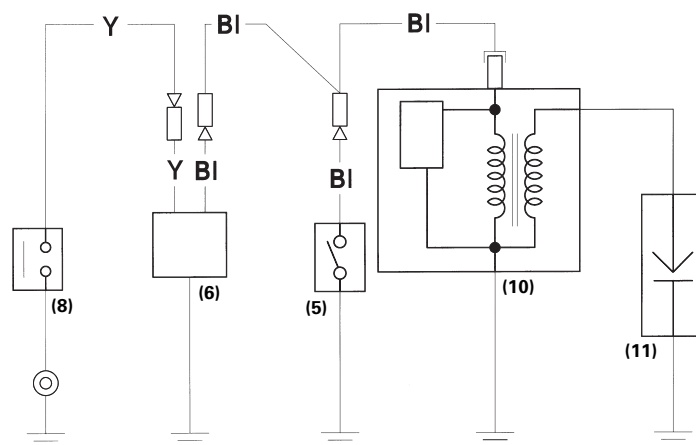
Schémas de câblage

Avec Oil Alert et démarreur électrique



	ALL	E	BAT	ST
ARRET	o	o		
MARCHE				
DEMARRAGE			o	o

Avec Oil Alert mais sans démarreur électrique



	ALL	E
ARRET	o	o
MARCHE		

- | | |
|--------------------------|----------------------------------|
| (1) BOITIER DE COMMANDE | (8) CONTACTEUR DE NIVEAU D'HUILE |
| (2) REDRESSEUR | (9) BOBINE DE CHARGE |
| (3) FUSIBLE | (10) BOBINE D'ALLUMAGE |
| (4) COUPE-CIRCUIT | (11) BOUGIE |
| (5) CONTACTEUR MOTEUR | (12) MOTEUR DE DEMARREUR |
| (6) UNITE OIL ALERT | (13) SOLENOIDE DE DEMARREUR |
| (7) Avec unité Oil Alert | (14) BATTERIE (12 V) |

Bl	Noir	Br	Marron
Y	Jaune	O	Orange
Bu	Bleu	Lb	Bleu clair
G	Vert	Lg	Vert clair
R	Rouge	P	Rose
W	Blanc	Gr	Gris

INFORMATION DU CONSOMMATEUR

Informations sur la garantie et le localisateur de distributeurs/ concessionnaires

Etats-Unis, Porto Rico et Iles vierges américaines :

Rendez-vous sur notre site Web : www.honda-engines.com

Canada :

Appelez le (888) 9HONDA9

ou rendez-vous sur notre site Web : www.honda.ca

Pour la zone européenne :

Rendez-vous sur notre site Web : <http://www.honda-engines-eu.com>

Australie :

Appelez le (03) 9270 1348

ou rendez-vous sur notre site Web : www.hondampe.com.au

Informations d'entretien pour le client

Le personnel des concessionnaires compte des professionnels qualifiés. Il devrait pouvoir répondre à toutes vos questions. Si le concessionnaire ne résout pas votre problème de manière satisfaisante, adressez-vous à la direction de la concession. Le responsable du service après-vente, le directeur général ou le propriétaire pourra vous aider. Presque tous les problèmes se résolvent de cette manière.

Etats-Unis, Porto Rico et Iles vierges américaines :

Si vous n'êtes pas satisfait de la décision prise par la direction de la concession, adressez-vous au distributeur régional de moteurs Honda de votre région.

Si vous n'êtes toujours pas satisfait après avoir parlé au distributeur régional de moteurs, vous pourrez vous adresser au bureau Honda indiqué.

Toutes les autres zones :

Si vous n'êtes pas satisfait de la décision prise par la direction de la concession, adressez-vous au bureau Honda indiqué.

« Bureau Honda »

Lorsque vous écrivez ou appelez, veuillez fournir les informations suivantes :

- Nom du fabricant et numéro de modèle de l'équipement sur lequel est monté le moteur
- Modèle, numéro de série et type du moteur (voir page 16)
- Nom du concessionnaire vous ayant vendu le moteur
- Nom, adresse et personne à contacter du concessionnaire assurant le service après-vente de votre moteur
- Date d'achat
- Vos nom, adresse et numéro de téléphone
- Description détaillée du problème

Etats-Unis, Porto Rico et Iles vierges américaines :

American Honda Motor Co., Inc.

Power Equipment Division

Customer Relations Office

4900 Marconi Drive

Alpharetta, GA 30005-8847

Ou téléphoner au : (770) 497-6400, 8 h 30 - 19 h 00 HNE

Canada :

Honda Canada, Inc.

180 Honda Blvd.

Markham, ON L6C 0H9

Téléphone : (888) 9HONDA9 Appel gratuit

(888) 946-6329

Télécopie : (877) 939-0909 Appel gratuit

Australie :

Honda Australia Motorcycle and Power Equipment Pty. Ltd.

1954-1956 Hume Highway

Campbellfield Victoria 3061

Téléphone : (03) 9270 1111

Télécopie : (03) 9270 1133

Pour la zone européenne :

Honda Motor Europe Logistics NV.

European Engine Center

<http://www.honda-engines-eu.com>

Toutes les autres zones :

S'adresser au distributeur Honda local pour toute assistance.

HONDA
The Power of Dreams

INTRODUCCIÓN

Muchas gracias por la adquisición de un motor Honda. Nos gustaría ayudarle a obtener los mejores resultados con su nuevo motor y a operarlo con seguridad. Este manual contiene información para ello; léalo detenidamente antes de poner en funcionamiento el motor. En caso de encontrarse con algún problema, o si tiene alguna pregunta sobre su motor, consulte a un concesionario de servicio Honda autorizado.

Toda la información de esta publicación se basa en la información más reciente disponible en el momento de la impresión. Honda Motor Co., Ltd. se reserva el derecho a efectuar cambios en cualquier momento sin previo aviso y sin incurrir en ningún tipo de obligación. No se permite la reproducción de ninguna parte de esta publicación sin permiso por escrito.


Este manual debe considerarse como una parte permanente del motor y debe permanecer con el motor en caso de reventa.

Revise las instrucciones suministradas con el equipo que funcionará con este motor para encontrar información adicional sobre la puesta en marcha del motor, parada, operación, ajustes, o instrucciones especiales para el mantenimiento.

Estados Unidos, Puerto Rico, e Islas Vírgenes Estadounidenses: Le aconsejamos que lea el contrato de garantía para que comprenda su alcance y sus responsabilidades de propiedad. El contrato de garantía es un documento independiente que le habrá entregado su concesionario.

MENSAJES DE SEGURIDAD

Su seguridad y la de los demás son muy importantes. Hemos incluido mensajes de seguridad importantes en este manual y en el motor. Lea detenidamente estos mensajes.

Un mensaje de seguridad le avisa sobre los peligros potenciales que podrían causarle lesiones a usted y a los demás. Cada mensaje de seguridad viene precedido por un símbolo de alerta de seguridad  y una de las tres palabras, PELIGRO, ADVERTENCIA o PRECAUCIÓN.

El significado de estas palabras clave es:

PELIGRO

MUERTE o LESIONES GRAVES SEGURAS en caso de no seguir las instrucciones.

ADVERTENCIA

POSIBILIDAD de MUERTE o de LESIONES GRAVES en caso de no seguir las instrucciones.

PRECAUCIÓN

POSIBILIDAD de LESIONES en caso de no seguir las instrucciones.

Cada mensaje le explica en qué consiste el peligro, lo que puede suceder, y lo que usted debe hacer para evitar las heridas o para reducirlas.

MENSAJES PARA PREVENCIÓN DE DAÑOS

Encontrará también otros mensajes importantes que vienen precedidos por la palabra AVISO.

Esta palabra significa:

AVISO

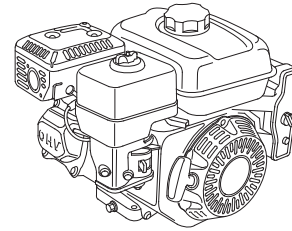
Pueden producirse daños en el motor o en la propiedad de terceras personas si no sigue las instrucciones.

El propósito de estos mensajes es el de ayudar a evitar daños en el motor, en la propiedad de terceras personas, o en medio ambiente.

HONDA

MANUAL DEL PROPIETARIO

GX120 • GX160 • GX200



ADVERTENCIA:

Los gases de escape de este producto contienen agentes químicos que, según el Estado de California, causan cáncer, defectos de nacimiento u otros efectos perjudiciales reproductivos.

Proposición 65 de California

Este producto contiene o emite agentes químicos que, según el Estado de California, causan cáncer, defectos de nacimiento u otros efectos perjudiciales reproductivos

ESPAÑOL

CONTENIDO

INTRODUCCIÓN.....	1	Inspección.....	10
MENSAJES DE SEGURIDAD.....	1	Limpieza.....	11
INFORMACIÓN DE SEGURIDAD.....	2	COPELA DE SEDIMENTOS.....	12
SITUACIÓN DE LAS ETIQUETAS DE SEGURIDAD.....	2	BUJÍA.....	12
SITUACIONES DE LOS COMPONENTES Y CONTROLES.....	3	PARACHISPAS.....	13
CARACTERÍSTICAS.....	3	VELOCIDAD DE RALENTÍ.....	13
COMPROBACIONES PREVIAS A LA OPERACIÓN.....	4	SUGERENCIAS Y OBSERVACIONES DE UTILIDAD.....	13
OPERACIÓN.....	4	ALMACENAJE DEL MOTOR.....	13
DE SEGURIDAD DURANTE LA OPERACIÓN.....	4	TRANSPORTE.....	14
ARRANQUE DEL MOTOR.....	4	CUIDADOS PARA PROBLEMAS INESPERADOS.....	15
PARADA DEL MOTOR.....	6	REEMPLAZO DE FUSIBLES.....	15
AJUSTE DE LA VELOCIDAD DEL MOTOR.....	6	INFORMACIÓN TÉCNICA.....	16
SERVICIO DE SU MOTOR.....	7	Situación del número de serie.....	16
LA IMPORTANCIA DEL MANTENIMIENTO.....	7	Conexión de la batería para el motor de arranque eléctrico.....	16
SEGURIDAD DEL MANTENIMIENTO.....	7	Enlace de control remoto.....	16
PRECAUCIONES DE SEGURIDAD.....	7	Modificaciones del carburador para funcionar a gran altitud... ..	17
PROGRAMA DE MANTENIMIENTO.....	7	Información del sistema de control de las emisiones de escape.....	17
REPOSTAJE.....	8	Índice de aire.....	18
ACEITE DE MOTOR.....	8	Especificaciones.....	18
Aceite recomendado.....	8	Especificaciones de puesta a punto.....	19
Comprobación del nivel de aceite.....	9	Información de referencia rápida.....	19
Cambio del aceite.....	9	Diagramas de conexiones.....	19
ACEITE DE LA CAJA DE REDUCCIÓN.....	9	INFORMACIÓN DEL CONSUMIDOR.....	20
Aceite recomendado.....	9	Garantía e información para encontrar distribuidores/concesionarios.....	20
Comprobación del nivel de aceite.....	9	Información de servicio de clientes.....	20
Cambio del aceite.....	10		
FILTRO DE AIRE.....	10		

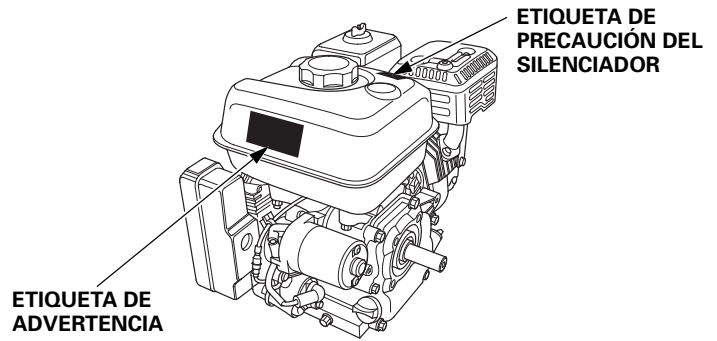
INFORMACIÓN DE SEGURIDAD

- Comprenda el funcionamiento de todos los controles y aprenda a parar con rapidez el motor en un caso de emergencia. Asegúrese de que el operador haya recibido una instrucción adecuada antes de operar el equipo.
- No permita que los niños operen el motor. Mantenga a los niños y animales apartados del lugar de operación.
- Los gases de escape del motor contienen monóxido de carbono que es venenoso.
No ponga en marcha el motor si no hay una ventilación adecuada, y no ponga nunca en marcha el motor en un lugar cerrado.
- El motor y el sistema de escape se calientan mucho durante la operación.
Mantenga el motor por lo menos a 1 metro de distancia de edificios y de otros equipos durante la operación. Mantenga apartados los materiales inflamables, y no ponga nada sobre el motor mientras esté en marcha.

SITUACIÓN DE LAS ETIQUETAS DE SEGURIDAD

Estas etiquetas le advierten los peligros potenciales que pueden causar daños serios. Léalas con atención.

Si una etiqueta se despegó o si resulta difícil de leer, solicite su reemplazo a su concesionario de servicio Honda.

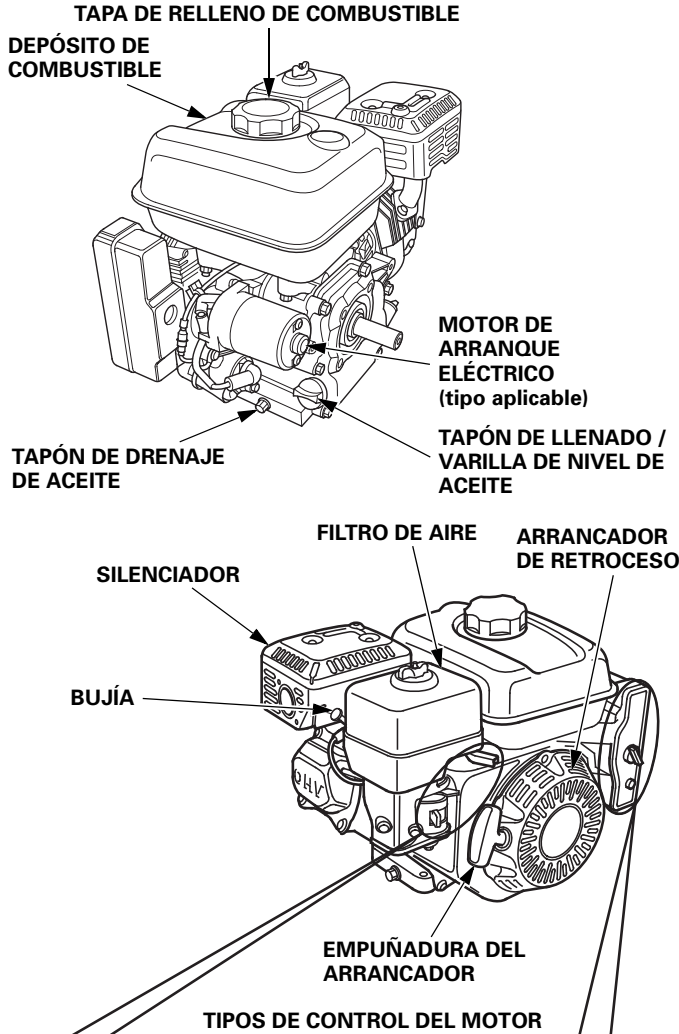


ETIQUETA DE ADVERTENCIA	Para UE	Excepto UE
	colocada en el producto	suministrada con el producto
<p>⚠ WARNING Gasoline is highly flammable and explosive. Turn engine off and let cool before refueling. The engine emits toxic carbon monoxide. Do not run in an enclosed area. Read Owner's Manual before operation. Thai Honda Mfg. Co., Ltd. MADE IN THAILAND</p>	suministrada con el producto	colocada en el producto
<p>⚠ ATTENTION L'essence est très inflammable et explosive. Arrêter le moteur et le laisser refroidir avant de faire le plein d'essence. Le moteur produit les vapeurs nocives de monoxyde de carbone. Ne pas utiliser dans un local clos. Lire le manuel de propriétaire avant l'utilisation. Thai Honda Mfg. Co., Ltd. MADE IN THAILAND</p>	suministrada con el producto	suministrada con el producto

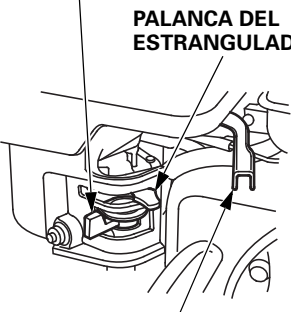
ETIQUETA DE PRECAUCIÓN DEL SILENCIADOR	Para UE	Excepto UE
	no incluido	suministrada con el producto
<p>⚠ CAUTION HOT MUFFLER CAN BURN YOU. Stay away if engine has been running.</p>	suministrada con el producto	colocada en el producto
<p>⚠ ATTENTION L'ECHAPPEMENT CHAUD PEUT VOUS BRULER. S'ÉLOIGNER QUAND LE MOTEUR FONCTIONNE.</p>	suministrada con el producto	suministrada con el producto

- La gasolina es muy inflamable y explosiva. Pare el motor y espere a que se enfríe antes de repostar.
- El motor emite gas monóxido de carbono que es tóxico y venenoso. No lo tenga en marcha en un lugar cerrado.
- Lea el Manual del propietario antes de la operación.
- El silenciador caliente puede causar quemaduras. No se acerque si el motor ha estado en marcha.

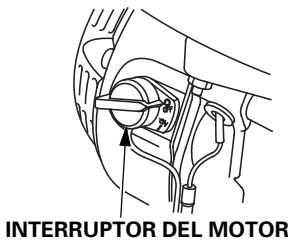
SITUACIONES DE LOS COMPONENTES Y CONTROLES



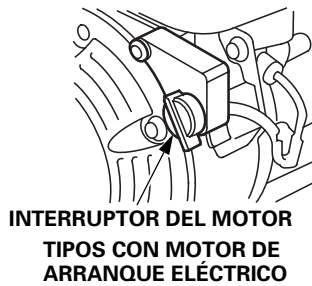
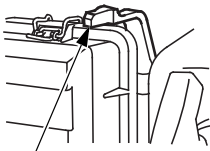
PALANCA DE LA VÁLVULA DE COMBUSTIBLE



EXCEPTO TIPOS CON MOTOR DE ARRANQUE ELÉCTRICO



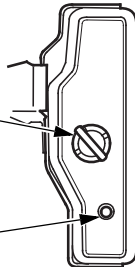
PALANCA DEL ACELERADOR



PALANCA DEL ESTRANGULADOR (filtro de aire de bajo perfil)

INTERRUPTOR DEL MOTOR

PROTECTOR DEL CIRCUITO



CARACTERÍSTICAS

SISTEMA OIL ALERT® (tipos aplicables)

"Oil Alert es una marca comercial registrada en los Estados Unidos"

El sistema de alerta de aceite Oil Alert está diseñado para evitar daños en el motor causados por una cantidad insuficiente de aceite en el cárter. Antes de que el nivel de aceite del cárter pueda caer por debajo de un límite de seguridad, el sistema de alerta de aceite Oil Alert hará sonar un zumbador, para avisarle que debe añadirse aceite al motor.

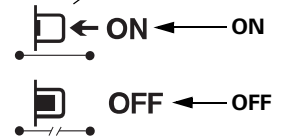
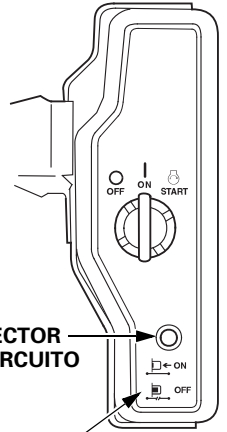
Si el motor se para y no vuelve a arrancar, compruebe el nivel del aceite de motor, (vea la página 9) antes de realizar la localización y reparación de averías en otras partes.

PROTECTOR DEL CIRCUITO (tipos aplicables)

El protector del circuito protege el circuito de carga de la batería. Si se produce un cortocircuito o si se conecta la batería con las polaridades invertidas, se activará el protector del circuito.

El indicador verde del interior del protector del circuito sobresaldrá afuera para indicar que se ha activado el protector del circuito. En tales casos, determine la causa del problema y solúcelo antes de reponer el protector del circuito.

Para efectuar la reposición, empuje el botón del protector del circuito.



COMPROBACIONES PREVIAS A LA OPERACIÓN

¿ESTÁ PREPARADO EL MOTOR PARA FUNCIONAR?

Por su propia seguridad, para asegurar el cumplimiento de las regulaciones medioambientales y para maximizar la vida de servicio de su equipo, es muy importante emplear un poco de tiempo para comprobar el estado del motor antes de ponerlo en funcionamiento. Antes de poner en marcha el motor, deberá asegurarse de haber solucionado cualquier problema encontrado, o de solicitar a su concesionario de servicio que lo solucione.

⚠ ADVERTENCIA

El mantenimiento inadecuado de este motor, o la falta de reparación de un problema antes de la operación, pueden ser causa de un mal funcionamiento en el que pueda correr el peligro de heridas graves o de muerte.

Efectúe siempre la inspección previa a la operación antes de cada operación, y solucione los problemas encontrados.

Antes de comenzar las comprobaciones previas a la operación, asegúrese de que el motor esté nivelado y que el interruptor del motor esté en la posición OFF.

Compruebe siempre los elementos siguientes antes de poner en marcha el motor:

Comprobación del estado general del motor

1. Mire en torno al motor y debajo del mismo para ver si hay indicios de fugas de aceite o de gasolina.
2. Extraiga el polvo o la suciedad excesiva, especialmente en torno al silenciador y al arrancador de retroceso.
3. Busque si hay indicios de daños.
4. Compruebe que todos los protectores y cubiertas estén en su lugar, y que todas las tuercas, pernos, y tornillos estén apretados.

Comprobación del motor

1. Compruebe el nivel de combustible (vea la página 8). Si comienza el trabajo con el depósito lleno, le ayudará a eliminar o reducir las interrupciones de la operación para repostar.
2. Compruebe el nivel del aceite de motor (vea la página 9). El motor puede dañarse si se utiliza con un nivel bajo de aceite.

El sistema de alerta de aceite Oil Alert (tipos aplicables) parará automáticamente el motor antes de que el nivel de aceite caiga por debajo de los límites de seguridad. Sin embargo, para evitar la inconveniencia de una parada inesperada, compruebe siempre el nivel de aceite de motor antes de empezar.

3. Compruebe el nivel del aceite de la caja de reducción en los tipos aplicables (vea la página 9). El aceite es esencial para la operación de la caja de reducción y para obtener una larga vida de servicio.
4. Compruebe el elemento del filtro de aire (vea la página 10). Un elemento del filtro de aire sucio restringirá el flujo de aire al carburador, reduciendo el rendimiento del motor.
5. Compruebe el equipo que deba funcionar con este motor.

Revise las instrucciones proporcionadas con el equipo que deba funcionar con este motor para ver si hay precauciones y procedimientos que deban seguirse antes de poner en marcha el motor.

OPERACIÓN

DE SEGURIDAD DURANTE LA OPERACIÓN

Antes de poner en marcha el motor por primera vez, revise la sección *INFORMACIÓN DE SEGURIDAD* en la página 2 y *COMPROBACIONES PREVIAS A LA OPERACIÓN* en la página 4.

Por su propia seguridad, no opere el motor en lugares cerrados como por ejemplo dentro de un garaje. Los gases de escape del motor contienen monóxido de carbono que es un gas que se acumula con rapidez en lugares cerrados y que causa mal estar o incluso la muerte.

⚠ ADVERTENCIA

Los gases de escape contienen gas venenoso de monóxido de carbono que puede acumularse hasta niveles peligrosos en lugares cerrados. Si aspira monóxido de carbono correrá el peligro de pérdida del sentido o de muerte.

No ponga nunca en marcha el motor en un lugar cerrado, ni parcialmente cerrado en el que pueda haber gente.

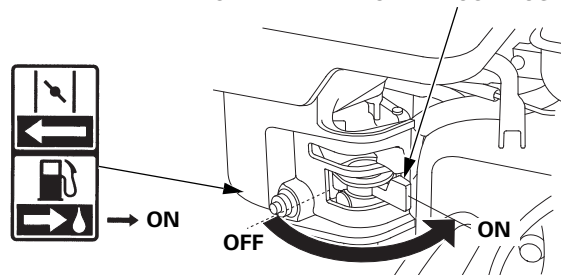
Revise las instrucciones proporcionadas con el equipo que deba funcionar con este motor para ver si hay precauciones de seguridad que deban observarse para poner en marcha, parar, u operar el motor.

No opere el motor en cuestas superiores a 20° (36%).

ARRANQUE DEL MOTOR

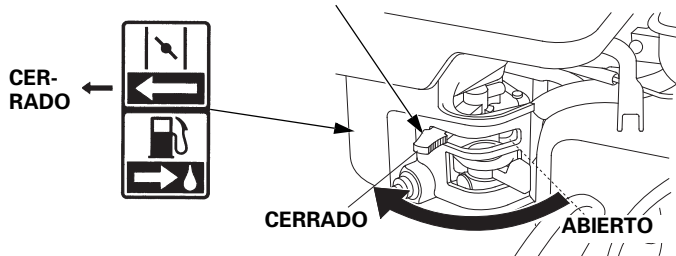
1. Mueva la palanca de la válvula del combustible a la posición CONEXIÓN.

PALANCA DE LA VÁLVULA DE COMBUSTIBLE



2. Para arrancar el motor cuando está frío, mueva la palanca del estrangulador a la posición CLOSED.

PALANCA DEL ESTRANGULADOR

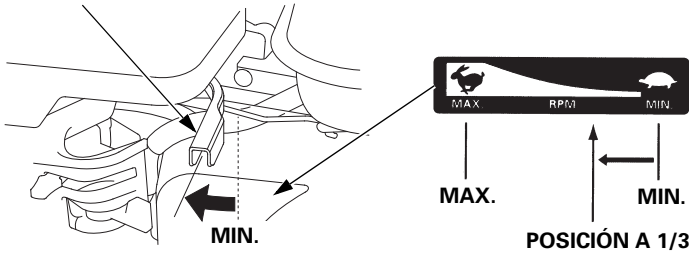


Para arrancar el motor cuando está caliente, deje la palanca del estrangulador en la posición OPEN.

Algunas aplicaciones del motor emplean un control del estrangulador montado a distancia en lugar de la palanca del estrangulador montada en el motor aquí mostrada. Consulte las instrucciones suministradas por el fabricante del equipo.

- Aleje la palanca del acelerador de la posición MIN., moviéndola aproximadamente 1/3 parte del recorrido hacia la posición MAX.

PALANCA DEL ACELERADOR

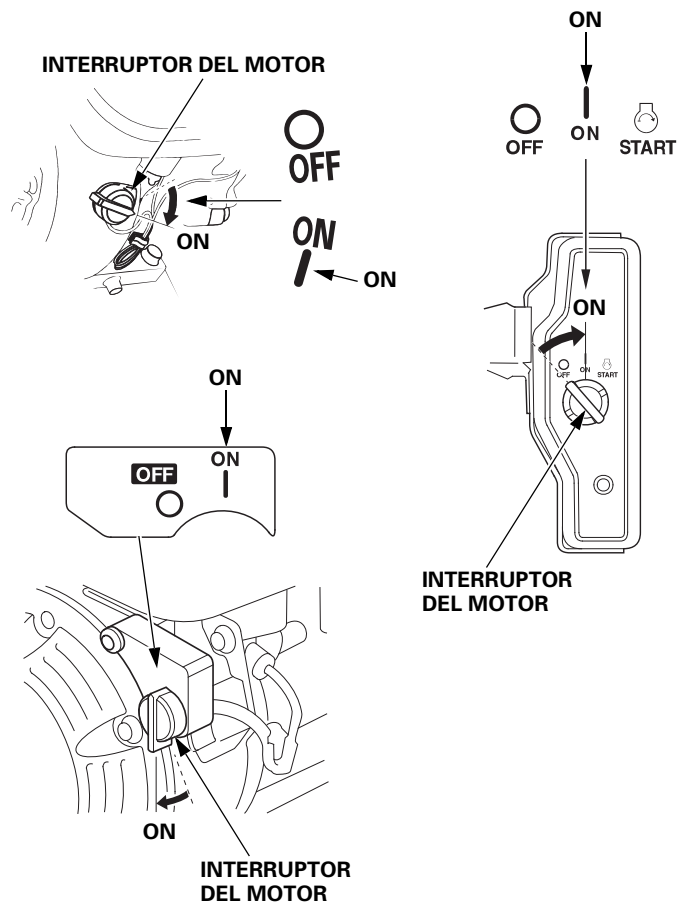


Algunas aplicaciones del motor emplean un control del acelerador montado a distancia en lugar de la palanca del acelerador montada en el motor aquí mostrada. Consulte las instrucciones suministradas por el fabricante del equipo.

- Gire el interruptor del motor a la posición ON.

EXCEPTO TIPOS CON MOTOR DE ARRANQUE ELÉCTRICO

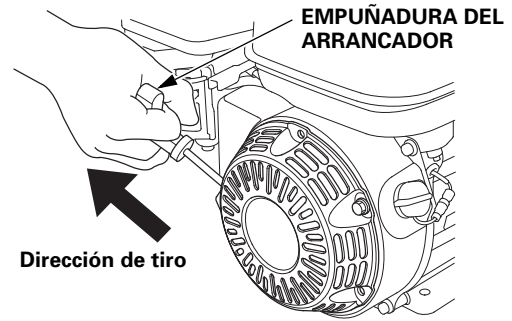
TIPOS CON MOTOR DE ARRANQUE ELÉCTRICO



- Opere el arrancador.

ARRANCADOR DE RETROCESO:

Tire ligeramente de la empuñadura del arrancador hasta notar resistencia, y entonces tire con fuerza en la dirección de la flecha como se muestra abajo. Deje que la empuñadura del arrancador retorne con suavidad.



AVISO

No permita que la empuñadura del arrancador retroceda con fuerza contra el motor. Haga que retorne con suavidad para evitar daños en el arrancador.

MOTOR DE ARRANQUE ELÉCTRICO (tipos aplicables):

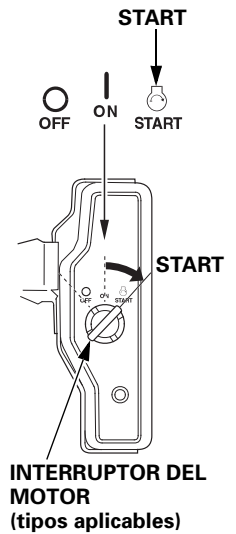
Gire la llave a la posición START, y reténgala ahí durante hasta que se ponga en marcha el motor.

Si el motor no se pone en marcha antes de 5 segundos, suelte la llave, y espere 10 segundos por lo menos antes de volver a operar el motor de arranque.

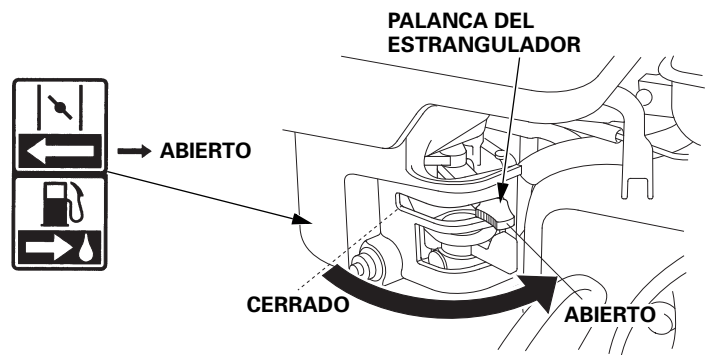
AVISO

Si se utiliza el motor de arranque eléctrico durante más de 5 segundos seguidos, el motor de arranque se sobrecalentará y puede averiarse. Este tipo de sobrecalentamiento no está cubierto por la garantía.

Cuando el motor se ponga en marcha, suelte la llave dejándola que retorne a la posición ON.



- Si se ha movido la palanca del estrangulador a la posición CLOSED para arrancar el motor, muévala gradualmente a la posición OPEN a medida que se va calentando el motor.

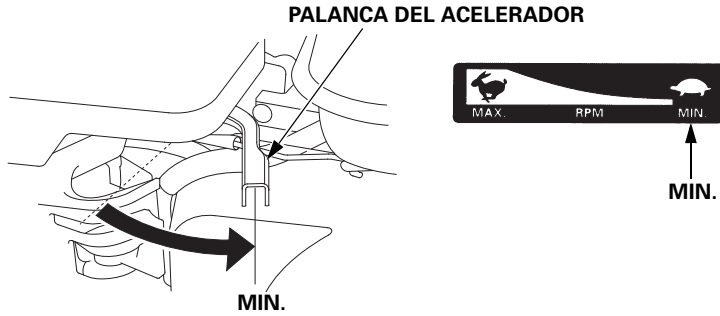


PARADA DEL MOTOR

Para parar el motor en un caso de emergencia, simplemente gire el interruptor del motor a la posición OFF. En situaciones normales, emplee el procedimiento siguiente. Consulte las instrucciones suministradas por el fabricante del equipo.

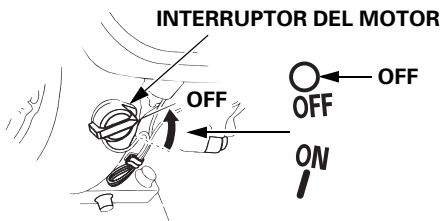
1. Mueva la palanca del acelerador a la posición MIN.

Algunas aplicaciones del motor emplean un control del acelerador montado a distancia en lugar de la palanca del acelerador montada en el motor aquí mostrada.

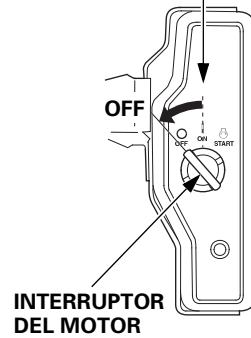
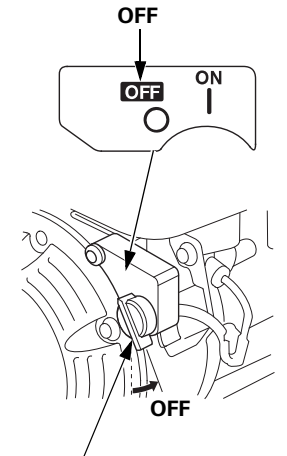
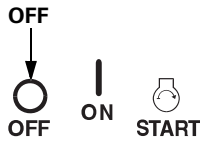


2. Gire el interruptor del motor a la posición OFF.

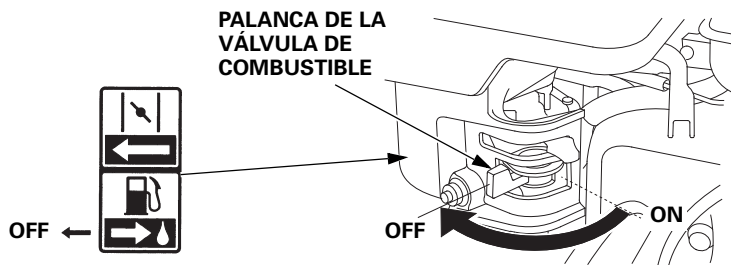
EXCEPTO TIPOS CON MOTOR DE ARRANQUE ELÉCTRICO



TIPOS CON MOTOR DE ARRANQUE ELÉCTRICO



3. Mueva la palanca de la válvula del combustible a la posición OFF.

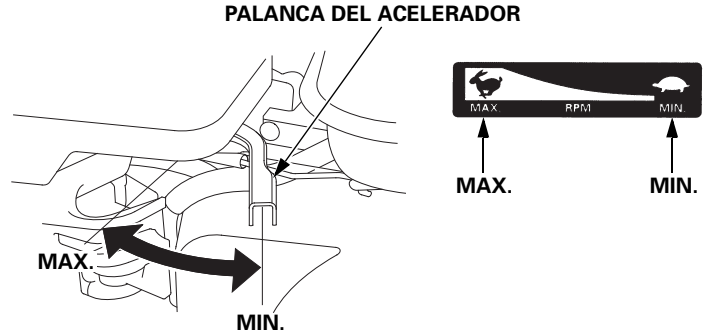


AJUSTE DE LA VELOCIDAD DEL MOTOR

Ajuste la palanca del acelerador a la velocidad deseada del motor.

Algunas aplicaciones del motor emplean un control del acelerador montado a distancia en lugar de la palanca del acelerador montada en el motor aquí mostrada. Consulte las instrucciones suministradas por el fabricante del equipo.

Para ver las recomendaciones de la velocidad del motor, consulte el manual de instrucciones suministrado con el equipo que deba funcionar con este motor.



SERVICIO DE SU MOTOR

LA IMPORTANCIA DEL MANTENIMIENTO

El buen mantenimiento es esencial para conseguir una operación segura, económica, y exenta de problemas. Ayudará también a reducir la contaminación.

⚠ ADVERTENCIA

El mantenimiento inadecuado, o la falta de reparación de un problema antes de la operación, pueden ser causa de un mal funcionamiento en el que pueda correr el peligro de heridas graves o de muerte.

Siga siempre las recomendaciones de inspección y mantenimiento y los programas de este manual del propietario.

Para ayudarle a cuidar adecuadamente el motor, las páginas siguientes incluyen un programa de mantenimiento, procedimientos de inspección rutinarios, y simple procedimientos de mantenimiento empleando herramientas manuales básicas. Las otras tareas de servicio que son más difíciles, o que requieren herramientas especiales, es mejor que sean realizadas por profesionales y normalmente las lleva a cabo un mecánico de Honda u otro mecánico cualificado.

El programa de mantenimiento se aplica a las condiciones normales de operación.

Si opera el motor en condiciones severas, tales como con una carga elevada continua o a altas temperaturas, o si lo utiliza en condiciones con mucha humedad o polvo, consulte a su concesionario de servicio para que le proporcione las recomendaciones aplicables a sus necesidades y aplicaciones individuales.

El mantenimiento, reemplazo o reparación de los dispositivos y sistemas de control de las emisiones de escape pueden efectuarse en cualquier establecimiento de reparaciones de motores o por cualquier individuo, empleando partes que estén "homologadas" según las normas EPA.

SEGURIDAD DEL MANTENIMIENTO

A continuación se mencionan algunas de las precauciones de seguridad más importantes. No obstante, no podemos avisarle sobre todos los peligros concebibles que pueden surgir al realizar el mantenimiento. Solamente usted puede decidir si debe realizar un trabajo determinado.

⚠ ADVERTENCIA

Si no sigue correctamente las instrucciones y precauciones para el mantenimiento, correrá el peligro de graves heridas o de muerte.

Siga siempre con cuidado los procedimientos y precauciones de este manual del propietario.

PRECAUCIONES DE SEGURIDAD

- Asegúrese de que el motor esté desconectado antes de comenzar cualquier trabajo de mantenimiento o de reparación. Para evitar el arranque accidental, desconecte la tapa de la bujía. De este modo eliminará muchos peligros potenciales:
 - **Envenenamiento por monóxido de carbono de los gases de escape del motor.**
Efectúe la operación al aire libre alejado de ventanas o puertas abiertas.
 - **Quemaduras en las partes calientes.**
Espere a que se enfríen el motor y el sistema de escape antes de tocarlos.
 - **Daños debidos a las partes en movimiento.**
No ponga en marcha el motor a menos que se lo indiquen las instrucciones.
- Lea las instrucciones antes de empezar, y asegúrese de disponer de las herramientas y conocimientos necesarios.
- Para reducir la posibilidad de incendio o explosión, tenga cuidado cuando trabaje cerca de gasolina. Emplee sólo solventes ininflamables, y no emplee gasolina, para limpiar las partes. Mantenga apartados los cigarrillos, las chispas y el fuego de las partes relacionadas con el combustible.

Recuerde que su concesionario de servicio autorizado Honda es quien mejor conoce su motor y que está completamente equipado para su mantenimiento y reparación.

Para asegurar la mejor calidad y fiabilidad, emplee sólo partes nuevas originales Honda Genuine o sus equivalentes para las reparaciones y reemplazos.

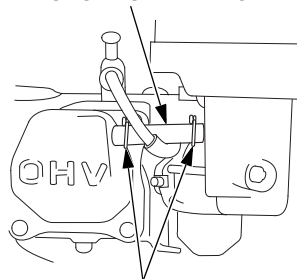
PROGRAMA DE MANTENIMIENTO

PERIODOS REGULARES DE SERVICIO (3) Realizar cada mes indicado o intervalo de horas de funcionamiento, lo que antes se cumpla.		Cada uso	Primer mes o 20 Hrs	Cada 3 meses o 50 Hrs	Cada 6 meses o 100 Hrs	Cada año o 300 Hrs	Consultar la página
ELEMENTO							
Aceite del motor	Comprobar nivel	o					9
	Cambiar		o		o		9
Aceite de la caja de reducción (tipos aplicables)	Comprobar nivel	o					9-10
	Cambiar		o		o		10
Filtro de aire	Comprobar	o					10
	Limpiar			o (1)	o*(1)		11-12
	Sustituir					o**	
Copela de sedimentos	Limpiar				o		12
Bujía	Comprobar-ajustar				o		12
	Sustituir					o	
Parachispas (tipos aplicables)	Limpiar				o (4)		13
Velocidad de ralentí	Comprobar-ajustar					o (2)	13
Holgura de las válvulas	Comprobar-ajustar					o (2)	Manual de taller
Cámara de combustión	Limpiar	Cada 500 Hrs. (2)					Manual de taller
Depósito y filtro de combustible	Limpiar				o (2)		Manual de taller
Tubo de combustible	Comprobar	Cada 2 años (Sustituir si es necesario) (2)					Manual de taller

- * • Solo tipo con carburador de ventilación interna con elemento doble.
- Tipo ciclónico cada 6 meses o 150 horas.

TIPO CON CARBURADOR DE VENTILACIÓN INTERNA

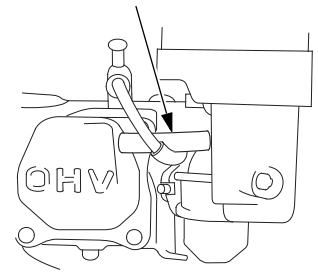
TUBO RESPIRADERO



CLIP DEL TUBO

TIPO ESTÁNDAR

TUBO RESPIRADERO



- ** • Sustituir solo tipo con elemento de papel.
- Tipo ciclónico cada 2 años o 600 horas.

- (1) Realice el servicio con mayor frecuencia cuando lo utilice en zonas polvorientas.
- (2) El servicio de estas partes deberá realizarlo su concesionario de servicio, a menos que usted disponga de las herramientas adecuadas y posea suficientes conocimientos mecánicos. Para ver los procedimientos de servicio, consulte el manual de taller Honda.
- (3) Para aplicaciones comerciales, registre las horas de operación para poder determinar los intervalos adecuados de mantenimiento.
- (4) En Europa y en los otros países en los cuales se aplica la Directiva "máquinas" 2006/42/CE, esta limpieza deberá realizarla su concesionario de servicio.

Si no sigue este programa de mantenimiento pueden producirse fallas que no entran en la garantía.

REPOSTAJE

Combustible recomendado

Gasolina sin plomo	
EE.UU.	86 octanos de bomba o superior
Excepto EE.UU.	91 octanos de investigación o superior
	86 octanos de bomba o superior

Este motor está homologado para funcionar con gasolina sin plomo con un valor de octanos de bomba de 86 o más alto (un valor de octanos de investigación de 91 o más alto).

Suministre el combustible en una zona bien ventilada con el motor parado. Si el motor ha estado funcionando, espere primero a que se enfríe. No reposte nunca el motor dentro de un edificio donde los gases de la gasolina pudieran llegar a fuegos o chispas.

Podrá emplear gasolina sin plomo con un contenido máximo del 10% de etanol (E10) o del 5% de metanol por volumen. Adicionalmente, el metanol debe contener cosolventes e inhibidores contra la corrosión. El empleo de combustible con un contenido de etanol o de metanol mayor que el indicado arriba puede ocasionar problemas en el arranque y/o en el funcionamiento. También puede causar daños en las partes metálicas, de goma, y de plástico del sistema de combustible. Los daños del motor o los problemas de funcionamiento debidos al empleo de un combustible con porcentajes de etanol o metanol mayores que los indicados arriba no están cubiertos por la Garantía.

Si su equipo se utiliza con poca frecuencia o de forma intermitente, consulte la sección sobre el combustible del capítulo ALMACENAJE DEL MOTOR (vea la página 13) para encontrar más información sobre el deterioro del combustible.

No emplee nunca gasolina pasada o sucia ni mezcla de aceite/gasolina. Evite la entrada de suciedad o agua en el depósito de combustible.

⚠ ADVERTENCIA

La gasolina es muy inflamable y explosiva, y correrá el peligro de quemaduras o de heridas graves al repostar.

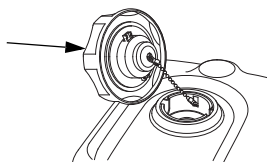
- Pare el motor y mantenga apartados el calor, las chispas, y el fuego.
- Reposte sólo al aire libre.
- Frote inmediatamente el líquido derramado.

AVISO

El combustible puede dañar la pintura y ciertos tipos de plástico. Tenga cuidado para que no se derrame combustible mientras llena el depósito de combustible. La garantía no cubre daños causados por el derrame de combustible. Garantía limitada del distribuidor. Apártese por lo menos 1 metro de la fuente y lugar de suministro de combustible antes de arrancar el motor.

1. Con el motor parado y sobre una superficie nivelada, extraiga la tapa de relleno de combustible y compruebe el nivel del combustible. Llène el depósito si el nivel de combustible es bajo.
2. Añada combustible hasta la parte inferior del límite del nivel máximo de combustible del depósito de combustible. No llene excesivamente. Frote el combustible que se haya derramado antes de arrancar el motor.

TAPA DE RELLENO DE COMBUSTIBLE



NIVEL MÁXIMO DE COMBUSTIBLE

Reposte con cuidado para que no se derrame combustible. No llene por completo el depósito de combustible. Es posible que sea necesario reducir el nivel del combustible dependiendo de las condiciones de operación. Después de repostar, vuelva a enroscar la tapa de relleno de combustible hasta que produzca un sonido seco de confirmación.

Mantenga la gasolina apartada de las luces piloto de los aparatos, barbacoas, aparatos eléctricos, herramientas eléctricas, etc.

El combustible derramado no sólo le hará correr el peligro de incendio, sino que además causa daños en el medio ambiente. Frote inmediatamente el líquido derramado.

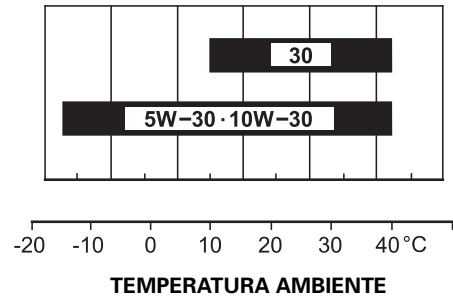
ACEITE DE MOTOR

El aceite es uno de los principales factores que afectan al rendimiento y a la vida útil.

Utilice aceite detergente para automóviles de 4 tiempos.

Aceite recomendado

Emplee aceite de motor de 4 tiempos que satisfaga o exceda los requisitos para la categoría de servicio API de SJ o posterior (o equivalente). Compruebe siempre la etiqueta de servicio API del recipiente de aceite para asegurarse que incluye las letras SJ o posterior (o equivalente).

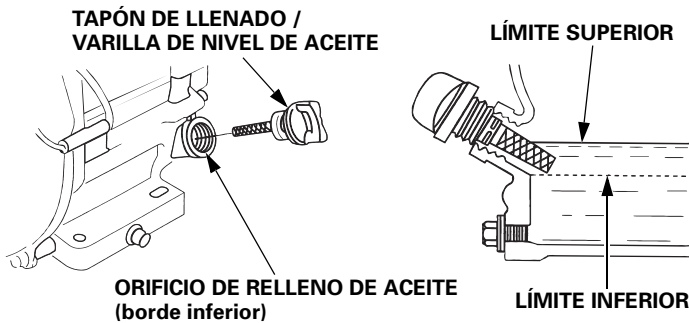


Se recomienda el SAE 10W-30 para aplicaciones generales. Las otras viscosidades mostradas en la gráfica pueden utilizarse cuando la temperatura media de su zona está dentro del margen indicado.

Comprobación del nivel de aceite

Compruebe el nivel del aceite de motor con el motor parado y en una posición nivelada.

1. Extraiga la tapa de relleno/varilla de medición del nivel de aceite y frótelas para limpiarla.
2. Inserte la tapa de relleno/varilla de medición del nivel de aceite en el cuello de relleno como se muestra, pero no la enrosque, y luego extraígalas para comprobar el nivel de aceite.
3. Si el nivel de aceite está cerca o por debajo de la marca del límite inferior de la varilla de medición del nivel, llene aceite del recomendado (vea la página 8) hasta la marca del límite superior (borde inferior del orificio de relleno de aceite). No llene excesivamente.
4. Vuelva a instalar la tapa de relleno/varilla de medición del nivel de aceite.



AVISO

El motor puede dañarse si se utiliza con un nivel bajo de aceite. Este tipo de daños no está cubierto por la garantía limitada del distribuidor.

El sistema de alerta de aceite Oil Alert (tipos aplicables) parará automáticamente el motor antes de que el nivel de aceite caiga por debajo del límite de seguridad. Sin embargo, para evitar la inconveniencia de una parada inesperada, compruebe siempre el nivel de aceite de motor antes de empezar.

Cambio del aceite

Drene el aceite usado cuando el motor esté caliente. El aceite caliente se drena con más rapidez y por completo.

1. Ponga un recipiente adecuado debajo del motor para recibir el aceite usado, y extraiga entonces la tapa de relleno/varilla de medición del nivel de aceite, el tapón de drenaje de aceite y la arandela de estanqueidad.
2. Deje que el aceite usado se drene por completo, y vuelva a instalar entonces el tapón de drenaje de aceite y una arandela de sellado nueva, y apriete con seguridad el tapón de drenaje de aceite.

Tire el aceite de motor usado de manera que sea compatible con el medio ambiente. Le aconsejamos que lleve el aceite usado en un recipiente cerrado al centro de reciclaje de su localidad o a una gasolinera para que se encarguen de su eliminación. No lo tire a la basura, no lo derrame al suelo, ni lo vierta por una alcantarilla.

3. Con el motor en una posición nivelada, llene aceite del recomendado (vea la página 8) hasta la marca del límite superior (parte inferior del orificio de relleno de aceite) de la varilla de medición del nivel.

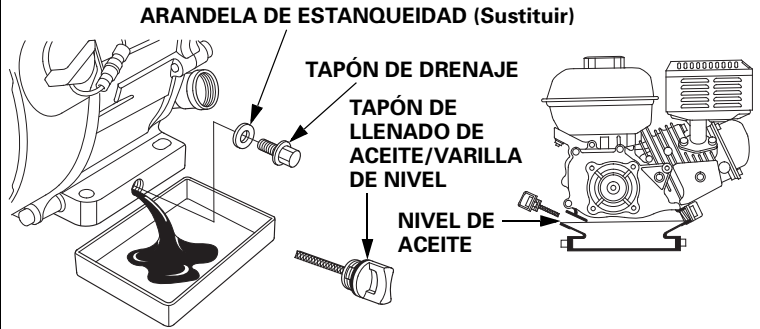
AVISO

El motor puede dañarse si se utiliza con un nivel bajo de aceite. Este tipo de daños no está cubierto por la garantía limitada del distribuidor.

El sistema de alerta de aceite Oil Alert (tipos aplicables) parará automáticamente el motor antes de que el nivel de aceite caiga por debajo del límite de seguridad.

Sin embargo, para evitar la inconveniencia de una parada inesperada, llene hasta el límite superior, y compruebe con regularidad el nivel del aceite.

4. Instale la tapa de relleno/varilla de medición del nivel de aceite y apriétela con seguridad.



Lávese las manos con agua y jabón después de haber manipulado aceite usado.

ACEITE DE LA CAJA DE REDUCCIÓN (tipos aplicables)

Aceite recomendado

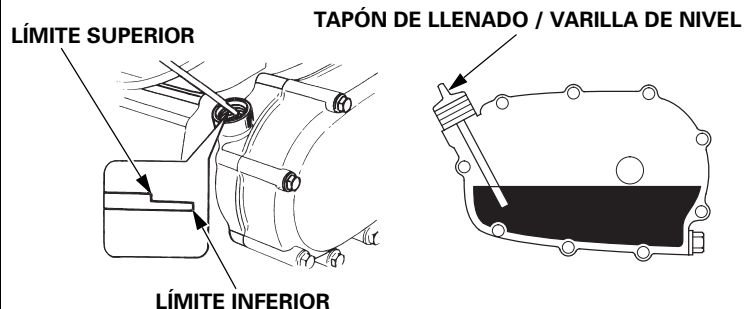
Emplee el mismo aceite que el recomendado para el motor (vea la página 8).

Comprobación del nivel de aceite

Compruebe el nivel del aceite de la caja de reducción con el motor parado y en una posición nivelada.

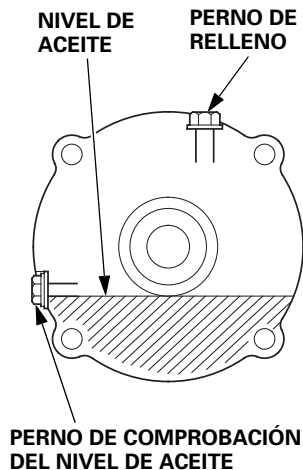
2 : Caja de reducción 1 con embrague centrífugo

1. Extraiga la tapa de relleno/varilla de medición del nivel de aceite y frótelas para limpiarla.
2. Inserte y extraiga la tapa de relleno/varilla de medición del nivel de aceite sin enrosclarla en el orificio de relleno. Compruebe el nivel de aceite indicado en la tapa de relleno/varilla de medición del nivel de aceite.
3. Si el nivel de aceite es bajo, añada aceite del recomendado hasta que llegue a la marca del límite superior de la varilla de medición del nivel.
4. Enrosque la tapa de relleno/varilla de medición del nivel de aceite y apriétela con seguridad.



6 : 1 Caja de reducción

1. Extraiga el perno de comprobación del nivel de aceite y la arandela, y mire si el nivel de aceite llega al borde del orificio del perno.
2. Si el nivel de aceite está por debajo del orificio del perno de comprobación, extraiga el perno de relleno y la arandela. Añada aceite del recomendado (vea la página 9) hasta que empiece a rebosar por el orificio del perno de comprobación.
3. Instale el perno de comprobación del nivel de aceite, el perno de relleno y arandelas nuevas. Apriételos con seguridad.



Cambio del aceite

2 : Caja de reducción 1 con embrague centrífugo

Drene el aceite usado mientras el motor esté caliente. El aceite caliente se drena con más rapidez y por completo.

1. Ponga un recipiente adecuado debajo de la caja de reducción para recibir el aceite usado, y extraiga entonces la tapa de relleno/varilla de medición del nivel de aceite, el tapón de drenaje y la arandela.
2. Deje que el aceite usado se drene por completo, y vuelva a instalar entonces el tapón de drenaje y una arandela nueva, y apriete con seguridad el tapón.

Tire el aceite de motor usado de manera que sea compatible con el medio ambiente. Le aconsejamos que lleve el aceite usado en un recipiente cerrado al centro de reciclaje de su localidad o a una gasolinera para que se encarguen de su eliminación. No lo tire a la basura, no lo derrame a la tierra, ni lo tire tampoco por una cloaca.

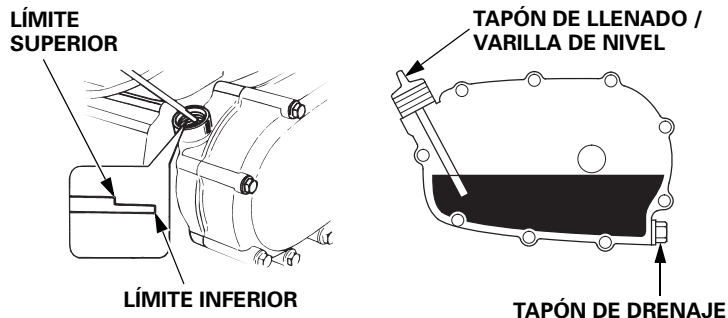
3. Teniendo el motor en una posición nivelada, rellene aceite del recomendado (vea la página 9) hasta la marca del límite superior de la varilla de medición del nivel. Para comprobar el nivel de aceite, inserte y extraiga la varilla de medición del nivel sin enroscarla en el orificio de relleno.

Capacidad de aceite de la caja de reducción: 0,50 L

AVISO

La caja de reducción puede dañarse si se utiliza el motor con un nivel bajo de aceite de la caja de reducción.

4. Enrosque con seguridad la tapa de relleno/varilla de medición del nivel.



Lávese las manos con agua y jabón después de haber manipulado aceite usado.

6 : 1 Caja de reducción

Drene el aceite usado mientras el motor esté caliente. El aceite caliente se drena con más rapidez y por completo.

1. Ponga un recipiente adecuado debajo de la caja de reducción para recibir el aceite usado, y extraiga entonces el perno de relleno, el perno de comprobación del nivel de aceite y las arandelas.
2. Drene por completo el aceite usado en el recipiente inclinando el motor hacia el orificio del perno de comprobación del nivel de aceite.

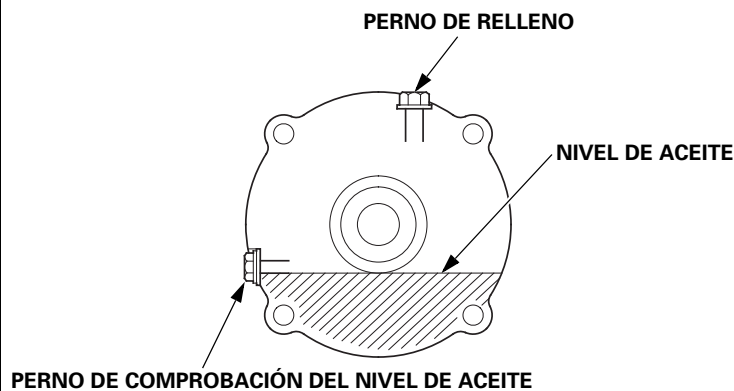
Tire el aceite de motor usado de manera que sea compatible con el medio ambiente. Le aconsejamos que lleve el aceite usado en un recipiente cerrado al centro de reciclaje de su localidad o a una gasolinera para que se encarguen de su eliminación. No lo tire a la basura, no lo derrame a la tierra, ni lo tire tampoco por una cloaca.

3. Con el motor en una posición nivelada, llene con aceite del recomendado (vea la página 9) hasta que empiece a rebosar por el orificio del perno de comprobación.

AVISO

La caja de reducción puede dañarse si se utiliza el motor con un nivel bajo de aceite de la caja de reducción.

4. Vuelva a instalar el perno de comprobación del nivel de aceite, el perno de relleno y las arandelas nuevas, y apriételos con seguridad.



Lávese las manos con agua y jabón después de haber manipulado aceite usado.

FILTRO DE AIRE

Un filtro de aire sucio restringirá el flujo de aire al carburador, reduciendo el rendimiento del motor. Si utiliza el motor en lugares muy polvorientos, limpie el filtro de aire con mayor frecuencia que la que se especifica en el PROGRAMA DE MANTENIMIENTO.

AVISO

Si se pone en funcionamiento el motor sin el filtro de aire, o con un filtro de aire dañado, la suciedad se introducirá en el motor, ocasionando su rápido desgaste. Este tipo de daños no está cubierto por la garantía limitada del distribuidor.

Inspección

Extraiga la cubierta del filtro de aire e inspeccione los elementos del filtro.

Limpie o reemplace los elementos sucios del filtro. Reemplace siempre los elementos del filtro si están dañados. Si está provisto de un filtro de aire de baño en aceite, compruebe también el nivel de aceite.

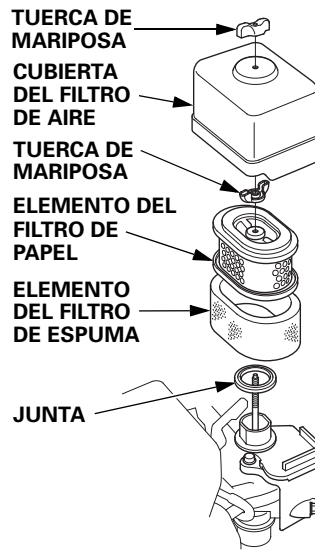
Para ver las instrucciones que se aplican al elemento y al filtro de aire de su tipo de motor, consulte las páginas 11-12.

Limpieza

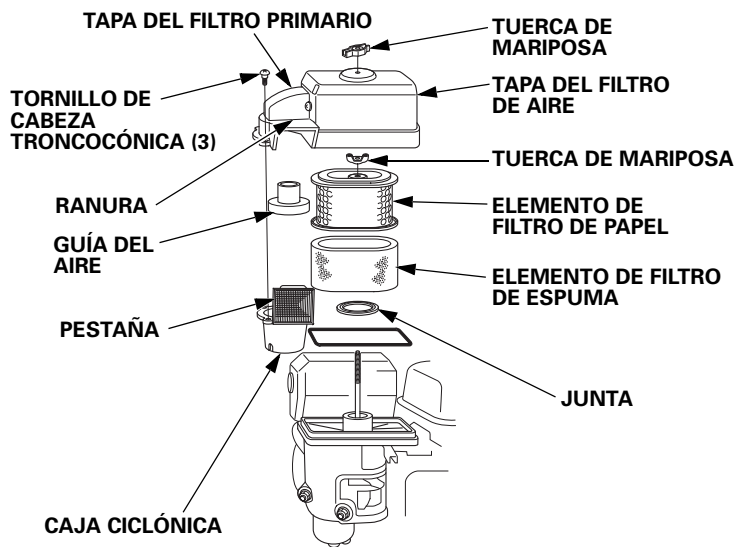
Tipos de filtro de elemento doble

1. Extraiga la tuerca de aletas de la cubierta del filtro de aire y extraiga la cubierta.
2. Extraiga la tuerca de aletas del filtro de aire, y extraiga el filtro.
3. Extraiga el elemento de espuma del filtro del elemento de papel del filtro.
4. Inspeccione los dos elementos del filtro de aire, y reemplácelos si están dañados. Reemplace siempre el elemento de papel del filtro de aire a los intervalos programados (vea la página 7).

TIPO DE FILTRO DE ELEMENTO DOBLE ESTÁNDAR



TIPO DE FILTRO DE ELEMENTO DOBLE CICLÓNICO



5. Limpie los elementos del filtro de aire si debe volver a utilizarlos.

Elemento de papel del filtro: Golpee varias veces el elemento del filtro contra una superficie dura para sacar la suciedad, o sople aire comprimido [sin exceder 207 kPa, (2,1 kgf/cm²)] por el elemento del filtro desde el interior. No trate nunca de cepillar la suciedad; el cepillo forzaría la suciedad al interior de las fibras.

Elemento del filtro de espuma: Límpielo en agua tibia con jabón, aclárelo y espere a que se seque por completo. También podrá limpiarlo en solvente inflamable y dejarlo secar. Sumerja el elemento del filtro en aceite de motor limpio, y exprima entonces todo el aceite excesivo. Si se deja demasiado aceite en la espuma, el motor producirá humo cuando se arranque.

6. SÓLO EL TIPO CICLÓNICO: Extraiga los tres tornillos de cabeza troncocónica de la tapa del filtro primario, y extraiga entonces la caja ciclónica y la guía de aire. Lave las partes con agua, séquelas por completo, y vuévalas a montar.

Asegúrese de instalar la guía de aire como se muestra en la ilustración.

Instale la caja ciclónica de modo que la lengüeta de admisión se acople en la ranura de la tapa del filtro primario.

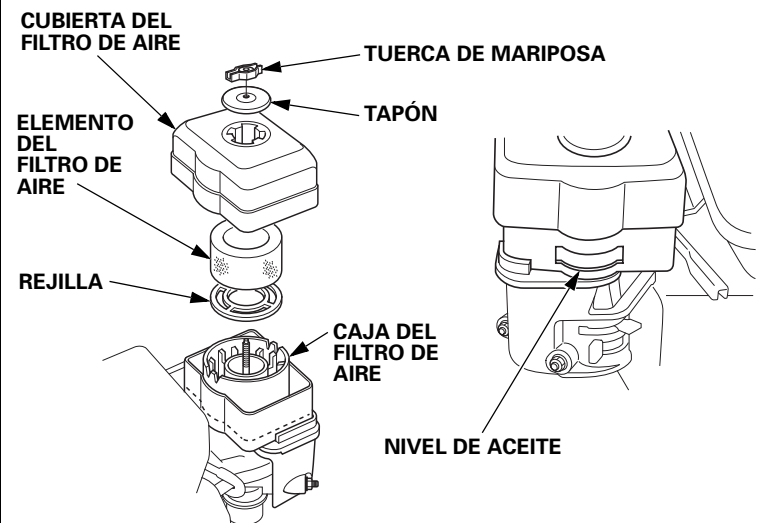
7. Frote la suciedad desde el interior de la cubierta del filtro de aire y la cubierta empleando un paño humedecido. Tenga cuidado para evitar que la suciedad se introduzca en el conducto de aire que va al carburador.
8. Ponga el elemento de espuma del filtro de aire sobre el elemento de papel, y vuelva a instalar el filtro de aire montado. Asegúrese de que la empaquetadura esté en su lugar de debajo del filtro de aire. Apriete con seguridad la tuerca de aletas del filtro de aire.
9. Instale la cubierta del filtro de aire, y apriete con seguridad la tuerca de aletas.

Tipo de baño en aceite

1. Extraiga la tuerca de aletas, y extraiga la tapa y la cubierta del filtro de aire.
2. Extraiga el elemento del filtro de aire de la cubierta. Lave la cubierta y el elemento del filtro en agua tibia enjabonada, aclárelos, y espere a que se sequen por completo. También podrá limpiarlo en solvente inflamable y dejarlo secar.
3. Sumerja el elemento del filtro en aceite de motor limpio, y luego exprima todo el aceite excesivo. El motor producirá humo si se deja demasiado aceite en la espuma.
4. Vacíe el aceite usado de la caja del filtro de aire, lave la suciedad que se haya acumulado con solvente inflamable, y seque la caja.
5. Llene la caja del filtro de aire con el mismo aceite que el recomendado para el motor, hasta la marca del nivel OIL LEVEL (vea la página 8).

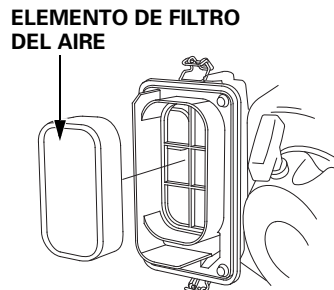
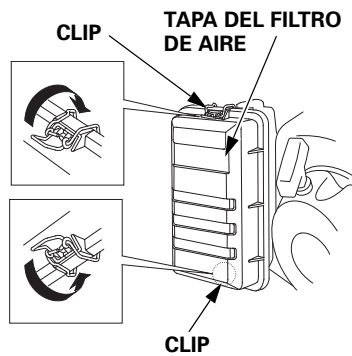
Capacidad de aceite: 60 cm³

6. Vuelva a montar el filtro de aire, y apriete con seguridad la tuerca de aletas.



Tipos de bajo perfil

1. Abra los retenedores de la cubierta del filtro de aire, extraiga la cubierta del filtro de aire, y extraiga el elemento del filtro de aire.
2. Lave el elemento en una solución de detergente de cocina y agua caliente, y luego enjuáguelo bien, o lávelo en solvente ininflamable o de alto punto de inflamación y dejar que se seque.
3. Humedezca el elemento del filtro de aire en aceite de motor limpio, y exprima el aceite excesivo. Si se deja demasiado aceite en el elemento, el motor producirá humo durante el arranque inicial.
4. Vuelva a instalar el elemento del filtro de aire y la cubierta.



ELEMENTO DE FILTRO DEL AIRE

COPELA DE SEDIMENTOS

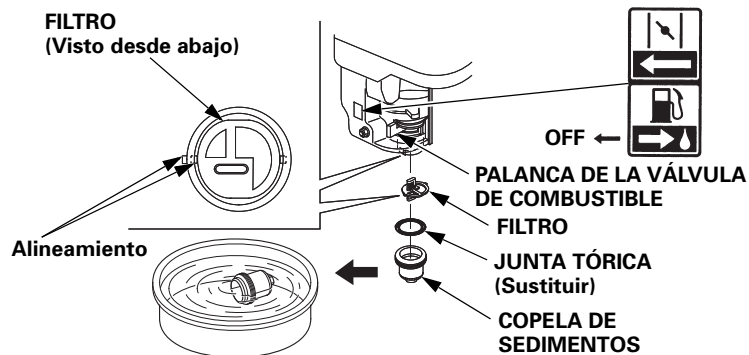
Limpieza

⚠ ADVERTENCIA

La gasolina es muy inflamable y explosiva, y correrá el peligro de quemaduras o de heridas graves al manipular el combustible.

- Pare el motor y mantenga apartados el calor, las chispas, y el fuego.
- Manipule el combustible sólo en exteriores.
- Frote inmediatamente el líquido derramado.

1. Mueva la válvula de combustible en la posición OFF, y extraiga entonces la copela de sedimentos, la junta tórica y el filtro.
2. Lave la copela de sedimentos y el filtro con solvente ininflamable, y séquelos bien.



3. Vuelva a instalar el filtro, una junta tórica nueva y la taza de sedimentos. Apriete con seguridad la taza de sedimentos.

4. Mueva la válvula de combustible a la posición ON, y compruebe si hay fugas.

BUJÍA

Bujías recomendadas: BPR6ES (NGK)
W20EPR-U (DENSO)

La bujía recomendada tiene el margen térmico correcto para las temperaturas normales de operación del motor.

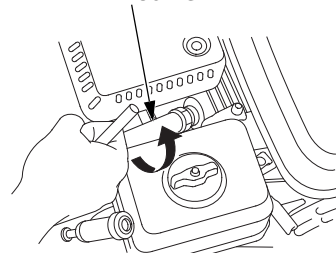
AVISO

Una bujía incorrecta puede causar daños en el motor.

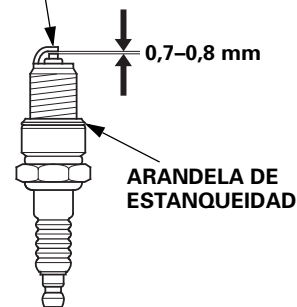
Para obtener un buen rendimiento, el huelgo de los electrodos de al bujía deberá ser correcto y no deberá haber carbonilla acumulada.

1. Desconecte la tapa de la bujía, y saque la suciedad que pudiera haber en torno al área de la bujía.
2. Extraiga la bujía con una llave para bujías de 13/16 pulgadas.
3. Inspeccione la bujía. Reemplácela si está dañada o muy sucia, si la arandela de sellado está en mal estado, o si el electrodo está gastado.
4. Mida el huelgo del electrodo de la bujía con un calibre de espesores del tipo de alambre. Corrija según sea necesario doblando el electrodo lateral. La holgura debe ser: 0,7-0,8 mm

LLAVE DE BUJÍAS



ELECTRODO LATERAL



5. Instale con cuidado la bujía, con la mano, para evitar que se dañen las roscas.
6. Después de haberse asentado la bujía, apriétela con una llave de bujías de 13/16 pulgadas para comprimir la arandela de sellado.

Cuando instale una bujía nueva, apriétela 1/2 de vuelta después de haberse asentado la bujía para comprimir la arandela.

Cuando vuelva a instalar la bujía original, apriétela 1/8-1/4 de vuelta después de haberse asentado la bujía para comprimir la arandela.

AVISO

Una bujía floja puede causar sobrecalentamiento y daños en el motor.

El apriete excesivo de la bujía puede dañar las roscas de la culata de cilindros.

7. Instale la tapa de la bujía en la bujía.

PARACHISPAS (tipos aplicables)

En Europa y en los otros países en los cuales se aplica la Directiva "máquinas" 2006/42/CE, esta limpieza deberá realizarla su concesionario de servicio.

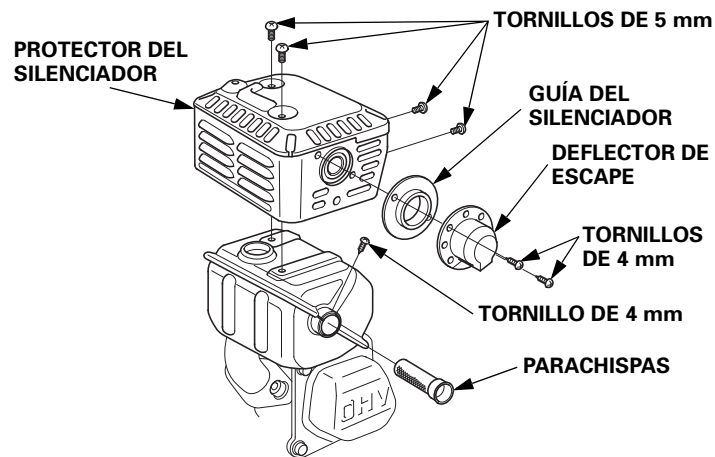
El parachispas puede ser el estándar o uno opcional, dependiendo del tipo de motor. En algunas áreas, es ilegal operar un motor sin un parachispas. Verifique las leyes y regulaciones locales. Los concesionarios de servicio autorizados Honda tienen disponibles parachispas.

El servicio del parachispas debe realizarse cada 100 horas para que pueda seguir funcionando como ha sido diseñado.

Si el motor había estado en marcha, el silenciador estará caliente. Deje que se enfríe antes de realizar el servicio del parachispas.

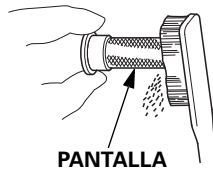
Extracción del parachispas

1. Extraiga el filtro de aire (vea la página 11).
2. Extraiga los dos tornillos de 4 mm del deflector de escape, y luego extraiga el deflector y la guía del silenciador (tipos aplicables).
3. Extraiga los cuatro tornillos de 5 mm del protector del silenciador y extraiga el protector del silenciador.
4. Extraiga el tornillo de 4 mm del parachispas, y extraiga el parachispas del silenciador.



Inspección y limpieza del parachispas

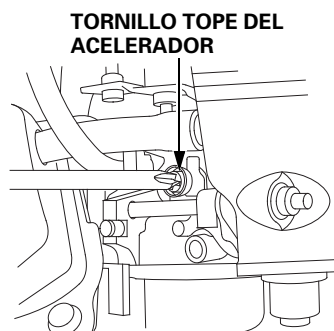
1. Emplee un cepillo para sacar la carbonilla acumulada en la rejilla del parachispas. Tenga cuidado para no dañar la rejilla. Reemplace el parachispas si está dañado o agujereado.
2. Instale el parachispas, el protector del silenciador, el deflector de escape y la guía del silenciador en el orden inverso al de la extracción.
3. Instale el filtro de aire (vea la página 11).



VELOCIDAD DE RALENTÍ

Ajuste

1. Arranque el motor al aire libre, y deje que se caliente hasta alcanzar la temperatura de funcionamiento.
2. Mueva la palanca del acelerador a la posición mínima.
3. Gire el tornillo de tope de la mariposa de gases para obtener la velocidad de ralentí estándar.



Velocidad de ralentí estándar: 1.400⁺²⁰⁰/₋₁₅₀ rpm

SUGERENCIAS Y OBSERVACIONES DE UTILIDAD

ALMACENAJE DEL MOTOR

Preparativos para el almacenaje

Los preparativos adecuados para el almacenaje son esenciales para mantener el motor exento de problemas y con buena apariencia exterior. Los pasos siguientes ayudarán a evitar que la oxidación y la corrosión afecten el funcionamiento y el aspecto exterior del motor, y facilitarán el arranque del motor cuando lo vuelva a utilizar.

Limpieza

Si el motor ha estado en marcha, espere a que se enfríe por lo menos media hora antes de efectuar la limpieza. Limpie todas las superficies exteriores, retoque cualquier parte dañada con pintura, y revista las otras partes que puedan oxidarse con una capa fina de aceite.

AVISO

Si se emplea una manguera de jardín o un equipo de lavado a presión, el agua puede forzarse al interior del filtro de aire o a la abertura del silenciador. Al agua dentro del filtro de aire mojará el filtro de aire, y el agua que pasa por el filtro de aire o el silenciador puede introducirse en el cilindro, y ocasionar daños.

Combustible

AVISO

Dependiendo de la zona donde se propongá utilizar el equipo, las fórmulas del combustible pueden deteriorarse y oxidarse con rapidez. El deterioro y la oxidación del combustible pueden producirse en tan sólo 30 días y pueden causar daños en el carburador y/o en el sistema de combustible. Consulte las recomendaciones sobre el almacenaje local solicitando asistencia a su concesionario de servicio.

La gasolina se oxida y deteriora durante el almacenaje. La gasolina deteriorada dificulta el arranque, y deja acumulaciones de suciedad que obstruyen el sistema de combustible. Si se deteriora la gasolina del motor durante el almacenaje, es posible que tenga que solicitar el servicio o el reemplazo del carburador y de otros componentes del sistema de combustible.

El periodo de tiempo en el que la gasolina puede permanecer en el depósito de combustible y carburador sin causar problemas funcionales dependerá de diversos factores, como la mezcla de gasolina, la temperatura de almacenamiento y el nivel de carburante presente en el depósito. El aire dentro de un depósito de combustible parcialmente lleno deteriora el combustible. Las temperaturas de almacenamiento muy cálidas aceleran el deterioro del combustible. Los problemas de deterioro del combustible suelen ocurrir después de pocos meses, o incluso menos si la gasolina no era nueva cuando se llenó el depósito de combustible.

La garantía no cubre los daños al sistema del combustible ni los problemas de funcionamiento debidos a una preparación de la conservación inadecuada. *Garantía limitada del distribuidor.*

Podrá extender la vida de servicio durante el almacenaje del combustible añadiendo un estabilizador de gasolina que esté formulado para este propósito, o podrá evitar los problemas del deterioro del combustible drenando el depósito de combustible y el carburador.

Adición de un estabilizador de gasolina para extender la duración de almacenaje del combustible

Cuando añada un estabilizador de gasolina, llene el depósito de combustible con gasolina nueva. Si sólo lo llena parcialmente, el aire que quede en el depósito acelerará el deterioro durante el almacenaje. Si conserva un recipiente de gasolina para repostar, asegúrese de que sólo contenga gasolina nueva.

1. Añada el estabilizador de gasolina siguiendo las instrucciones del fabricante.
2. Después de añadir un estabilizador de gasolina, deje en marcha el motor al aire libre durante 10 minutos para asegurarse de que la gasolina tratada ha reemplazado a la gasolina que no está tratada en el carburador.
3. Pare el motor.

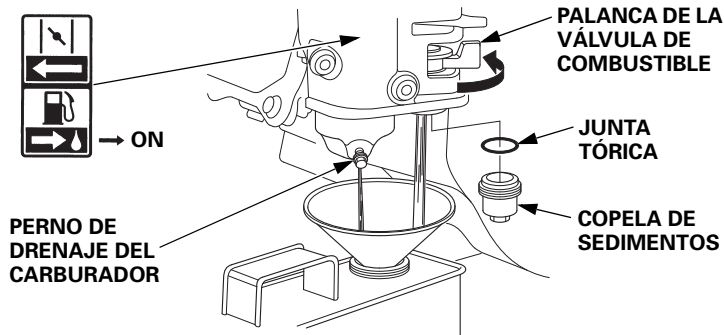
Drenaje del depósito de combustible y del carburador

⚠ ADVERTENCIA

La gasolina es muy inflamable y explosiva, y correrá el peligro de quemaduras o de heridas graves al manipular el combustible.

- Pare el motor y mantenga apartados el calor, las chispas, y el fuego.
- Manipule el combustible sólo en exteriores.
- Frote inmediatamente el líquido derramado.

1. Mueva la palanca de la válvula del combustible a la posición OFF (vea la página 6).
2. Ponga un recipiente de gasolina homologado debajo del carburador, y emplee un embudo para evitar el derrame de combustible.
3. Afloje el perno de drenaje de carburador. Extraiga la taza de sedimentos y la junta tórica, y luego mueva la palanca de la válvula del combustible a la posición ON (vea la página 4).



4. Después de haber drenado todo el combustible en el recipiente, vuelva a instalar la taza de sedimentos y una junta tórica nueva. Apriete con seguridad el tornillo de drenaje del carburador y la taza de sedimentos.

Aceite de motor

1. Cambie el aceite de motor (vea la página 9).
2. Extraiga la bujía (vea la página 12).
3. Introduzca una cucharilla de 5–10 cm³ (5–10 cc) de aceite de motor limpio en el cilindro.
4. Tire varias veces de la cuerda del arrancador para que el aceite se distribuya por el cilindro.
5. Vuelva a instalar la bujía.
6. Tire lentamente de la cuerda del arrancador hasta notar resistencia y hasta que la muesca de la polea del arrancador se alinee con el orificio de la parte superior de la cubierta del arrancador de retroceso. De este modo se cerrarán las válvulas para que no pueda introducirse suciedad en el cilindro del motor. Deje que la cuerda del arrancador retorne con suavidad.



7. Tipo de arrancador eléctrico: Extraiga la batería y guárdela en un lugar fresco y seco. Recárguela una vez al mes.
8. Cubra el motor para protegerlo contra el polvo.

Precauciones para el almacenaje

Si el motor debe almacenarse con gasolina en el depósito de combustible y en el carburador, es importante reducir el peligro de que se enciendan los gases de la gasolina. Seleccione un lugar de almacenaje bien ventilado apartado de todos los aparatos que funcionen con fuego, como puedan ser los hornos, calentadores de agua, o secadoras para la ropa. Evite también los lugares con motores eléctricos que produzcan chispas, o donde se utilicen herramientas eléctricas.

Si es posible, evite los lugares de almacenaje con mucha humedad, porque aceleran la oxidación y la corrosión.

Mantenga el motor nivelado durante el almacenaje. La inclinación podría ocasionar fugas de combustible o de aceite.

Cuando el motor y el sistema de escape estén fríos, cubra el motor para protegerlo contra el polvo. Si el motor y el sistema de escape están calientes pueden hacer que se enciendan o derritan algunos materiales. No emplee un trozo de plástico como cubierta contra el polvo.

Una cubierta que no sea porosa no dejará escapar la humedad en torno al motor, acelerando la oxidación y la corrosión.

Si está provisto de una batería para los tipos de motor de arranque eléctrico, recargue la batería una vez al mes mientras el motor esté almacenado.

De este modo ayudará a prolongar la vida de servicio de la batería.

Salida del almacenaje

Compruebe el motor como se describe en la sección de *COMPROBACIONES PREVIAS A LA OPERACIÓN* de este manual (vea la página 4).

Si se había drenado el combustible durante los preparativos para el almacenaje, llene el depósito con gasolina nueva. Si conserva un recipiente de gasolina para repostar, asegúrese de que sólo contenga gasolina nueva. La gasolina se oxida y deteriora con el tiempo, dificultando el arranque.

Si se había revestido el cilindro con aceite durante los preparativos para el almacenaje, el motor produce un poco de humo al principio. Esto es normal.

TRANSPORTE

Si el motor ha estado en marcha, espere como mínimo 15 minutos a que se enfríe antes de cargar el equipo motorizado en el vehículo de transporte. Si el motor y el sistema de escape están calientes pueden causarle quemaduras y hacer que se enciendan algunos materiales.

Mantenga nivelado el motor cuando lo transporte para reducir la posibilidad de que se produzcan fugas de combustible. Mueva la palanca de la válvula del combustible a la posición OFF (vea la página 6).

CUIDADOS PARA PROBLEMAS INESPERADOS

NO ARRANCA EL MOTOR

Causa posible	Corrección
Batería descargada.	Recargue la batería.
Fusible fundido.	Sustituya el fusible (p. 15).
Válvula de combustible APAGADA.	Mueva la palanca a la posición ON.
Estrangulador abierto.	Mueva la palanca a la posición CLOSED excepto si el motor está caliente.
Interruptor del motor APAGADO.	Gire el interruptor del motor a la posición ON.
Bajo nivel de aceite del motor (Modelos con Oil Alert).	Rellene con el aceite recomendado hasta el nivel correcto (p. 9).
Sin combustible.	Repueste (p. 8).
Combustible en mal estado; motor guardado sin tratamiento o drenaje de la gasolina o repostado con gasolina en mal estado.	Drene el depósito de combustible y el carburador (p. 14). Repueste con gasolina nueva (p. 8).
Bujía averiada, desgastada o con huelgo incorrecto.	Coloque o sustituya la bujía (p. 12).
Bujía mojada con combustible (motor inundado).	Seque y vuelva a instalar la bujía. Arranque el motor con la palanca del acelerador en la posición MAX.
Filtro de combustible obstruido, avería del carburador, mal funcionamiento del encendido, válvulas atascadas, etc.	Lleve el motor a su concesionario de servicio o consulte el manual de taller.

FALTA DE POTENCIA EN EL MOTOR

Causa posible	Corrección
Elemento(s) de filtro obstruido(s).	Limpie o sustituya los elemento(s) de filtro (p. 11-12).
Combustible en mal estado; motor guardado sin tratamiento o drenaje de la gasolina o repostado con gasolina en mal estado.	Drene el depósito de combustible y el carburador (p. 14). Repueste con gasolina nueva (p. 8).
Filtro de combustible obstruido, avería del carburador, mal funcionamiento del encendido, válvulas atascadas, etc.	Lleve el motor a su concesionario de servicio o consulte el manual de taller.

REEMPLAZO DE FUSIBLES (tipos aplicables)

El circuito del relé del motor de arranque eléctrico y el circuito de carga de la batería están protegidos por un fusible. Si se quema el fusible, el motor de arranque eléctrico no funcionará. El motor podrá ponerse en marcha manualmente si se quema el fusible, pero el funcionamiento del motor no cargará la batería.

1. Extraiga el tornillo especial de 6 × 12 mm de la cubierta trasera de la caja del interruptor del motor, y extraiga la cubierta trasera.
2. Extraiga la cubierta del fusible, y luego inspeccione el fusible.

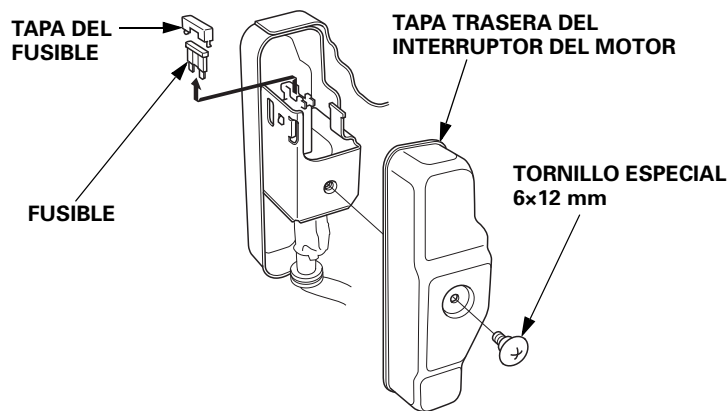
Si el fusible está quemado, tire el fusible quemado. Instale un fusible nuevo con el mismo amperaje que el desmontado y vuelva a instalar la cubierta.

Para cualquier consulta relativa al amperaje del fusible original, póngase en contacto con su concesionario de servicio Honda.

AVISO

No utilice nunca un fusible con un amperaje mayor que el del que estaba originalmente equipado en el motor. Podrían producirse serios daños en el sistema eléctrico o podría producirse un incendio.

3. Vuelva a instalar la cubierta trasera. Instale el tornillo de 6 × 12 mm y apriételo bien.

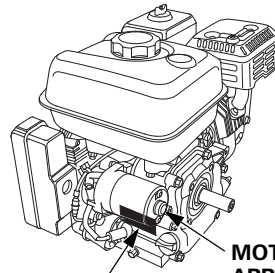


Los fallos frecuentes del fusible normalmente indican que hay un cortocircuito o una sobrecarga en el sistema eléctrico. Si el fusible se quema repetidamente, lleve el motor a un concesionario de servicio Honda para que lo repare.

INFORMACIÓN TÉCNICA

Situación del número de serie

Anote el número de serie del motor, el tipo y la fecha de adquisición en los espacios siguientes. Necesitará esta información cuando realice pedidos de partes y consultas técnicas o sobre la garantía.



UBICACIÓN DEL NÚMERO DE SERIE Y DEL TIPO DE MOTOR

MOTOR DE ARRANQUE ELÉCTRICO (tipos aplicables)

Número de serie del motor: _____

Tipo de motor: _____

Fecha de adquisición: ____ / ____ / ____

Conexión de la batería para el motor de arranque eléctrico (tipos aplicables)

Emplee una batería de 12 voltios con un amperaje-hora de 18 Ah como mínimo.

Tenga cuidado para no conectar la batería con las polaridades invertidas, porque cortocircuitaría el sistema de carga de la batería. Conecte siempre el cable positivo (+) de la batería al terminal de la batería antes de conectar el cable negativo (-) de la batería, para que sus herramientas no puedan causar un cortocircuito si tocan una parte puesta a tierra mientras se aprieta el extremo del cable positivo (+) de la batería.

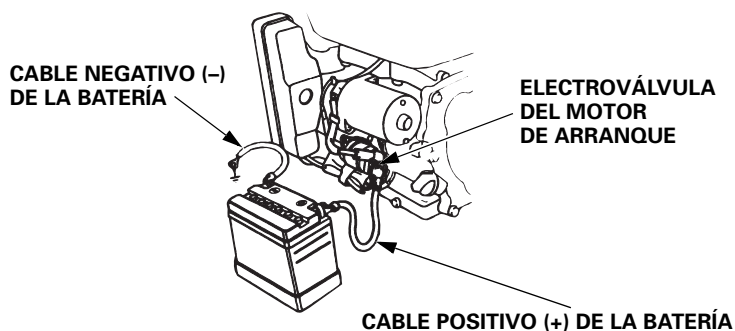
⚠ ADVERTENCIA

Una batería puede explotar si no se sigue el procedimiento correcto, pudiendo ocasionar heridas a las personas que estén cerca.

Mantenga las chispas, el fuego, y el tabaco apartados de la batería.

ADVERTENCIA: Los bornes, terminales, y accesorios relacionados con la batería contienen plomo y compuestos de plomo. **Lávese las manos después de la manipulación.**

1. Conecte el cable positivo (+) de la batería al terminal del solenoide del arrancador como se muestra.
2. Conecte el cable negativo (-) de la batería a un perno de montaje del motor, perno del bastidor, o a otro lugar de conexión de tierra apropiado del motor.
3. Conecte el cable positivo (+) de la batería al terminal positivo (+) de la batería como se muestra.
4. Conecte el cable negativo (-) de la batería al terminal negativo (-) de la batería como se muestra.
5. Revista los terminales y los extremos de los cables con grasa.

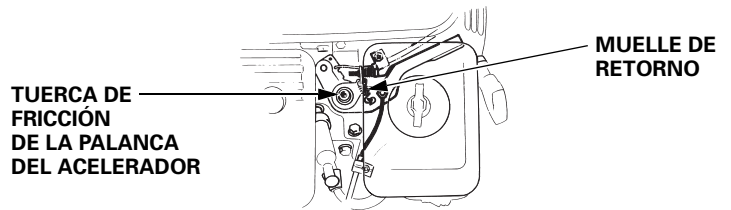


Enlace de control remoto

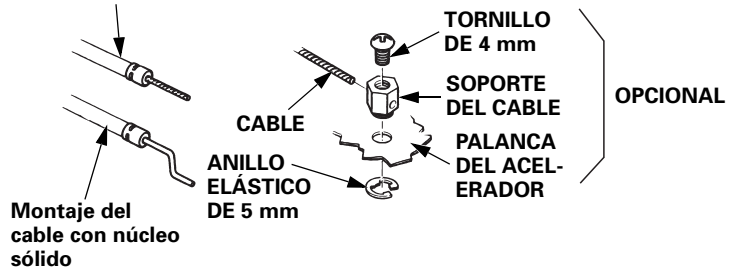
Las palancas de control del acelerador y del estrangulador están provistas de orificios para la instalación del cable opcional. Las ilustraciones siguientes muestran ejemplos de instalación de un cable macizo y de un cable trenzado flexible. Si emplea un cable trenzado flexible, añada un resorte de retorno como se muestra.

Es necesario aflojar la tuerca de fricción de la palanca del acelerador cuando se opere el acelerador con un control montado a distancia.

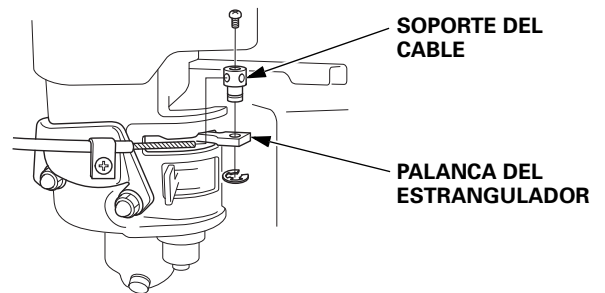
ENLACE DEL ACELERADOR REMOTO



Montaje del cable con núcleo flexible



ENLACE DEL ESTRANGULADOR REMOTO



Modificaciones del carburador para funcionar a gran altitud

A grandes altitudes, la mezcla normal de aire-combustible del carburador será demasiado rica. El rendimiento disminuirá, y aumentará el consumo de combustible. Si la mezcla es demasiado rica, ensuciará también la bujía y puede dificultar el arranque. El funcionamiento a una altitud distinta de la certificada para este motor, durante períodos prolongados de tiempo, puede ocasionar un incremento en las emisiones de escape.

El rendimiento a grandes altitudes podrá mejorar mediante modificaciones específicas en el carburador. Si siempre opera el motor a altitudes de más de 1.500 metros, solicite a su concesionario de servicio que efectúe esta modificación del carburador. Este motor conformará cada una de las normas sobre las emisiones de escape durante toda su vida de servicio cuando se opere a gran altitud con las modificaciones del carburador para funcionar a grandes altitudes.

Incluso con la modificación del carburador, la potencia del motor se reducirá aproximadamente el 3,5 % por cada 300 m de incremento de la altitud. El efecto de la altitud en la potencia será mayor si no se han efectuado las modificaciones en el carburador.

AVISO

Cuando se haya modificado el carburador para funcionar a gran altitud, la mezcla de aire-combustible será demasiado pobre para funcionar a bajas altitudes. El funcionamiento a altitudes de menos de 1.500 metros con el carburador modificado puede causar sobrecalentamiento del motor y ocasionar serios daños en el motor. Para el funcionamiento a bajas altitudes, solicite a su concesionario de servicio que reajuste el carburador a las especificaciones originales de fábrica.

Información del sistema de control de las emisiones de escape

Origen de las emisiones de escape

El proceso de combustión produce monóxido de carbono, óxidos de nitrógeno, e hidrocarburos. El control de los hidrocarburos y de los óxidos de nitrógeno es muy importante porque, bajo ciertas condiciones, reaccionan para formar humo fotoquímico cuando se exponen a la luz solar. El monóxido de carbono no reacciona del mismo modo, pero es tóxico.

Honda emplea las relaciones apropiadas de aire-combustible y otros sistemas de control de las emisiones para reducir las emisiones de monóxido de carbono, de óxidos de nitrógeno, y de hidrocarburos. Adicionalmente, los sistemas de combustible Honda emplean componentes y tecnologías de control para reducir las emisiones evaporativas.

Acta sobre el aire limpio de California, EE.UU., y sobre el medio ambiente de Canadá

Las regulaciones de EPA, de California, y Canadá estipulan que todos los fabricantes deben proporcionar instrucciones escritas que describan la operación y el mantenimiento de los sistemas de control de las emisiones de escape.

Deberán seguirse las instrucciones y procedimientos siguientes para mantener las emisiones de escape del motor Honda dentro de lo estipulado por las normas sobre las emisiones de escape.

Manipulación indebida y alteraciones

La manipulación indebida o las alteraciones del sistema de control de las emisiones de escape pueden incrementar las emisiones hasta sobrepasar el límite legal. Entre los actos que constituyen manipulación indebida se encuentran:

- Extracción o alternación de cualquier parte de los sistemas de admisión, combustible, o escape.
- Alternación o supresión de la articulación del regulador o del mecanismo de ajuste de la velocidad para que el motor funcione fuera de sus parámetros de diseño.

Problemas que pueden afectar las emisiones de escape

Si percibe alguno de los síntomas siguientes, solicite a su distribuidor de servicio que inspeccione y repare el motor.

- Cuesta arrancar o se cala después de arrancar.
- Ralentí irregular.
- Fallos de encendido o detonaciones bajo carga.
- Combustión retardada (detonaciones).
- Humo negro de escape o alto consumo de combustible.

Repuestos

Los sistemas de control de las emisiones de escape de su motor Honda han sido diseñados, fabricados y certificados para conformar las regulaciones de las emisiones de escape estipuladas por EPA, de California y Canadá. Recomendamos el empleo de repuestos genuinos de Honda cuando se haga el mantenimiento.

Estos repuestos de diseño original están fabricados con las mismas normas que las partes originales, por lo que podrá confiar en su rendimiento. El empleo de repuestos que no son de diseño y calidad originales puede degradar la efectividad de su sistema de control de las emisiones de escape.

Los fabricantes del mercado de repuestos asumen la responsabilidad de que el repuesto no afectará adversamente el rendimiento de las emisiones de escape. El fabricante o el remodelador del repuesto deberá certificar que el empleo del repuesto no ocasionará fallas del motor para que éste pueda cumplir las regulaciones sobre las emisiones de escape.

Mantenimiento

Siga el programa de mantenimiento de la página 7. Recuerde que este programa se basa en la suposición de que su máquina se utiliza para su propósito original. El funcionamiento continuado con grandes cargas o altas temperaturas, o la utilización en condiciones de mucha humedad o polvo, requerirá que se realice el servicio con más frecuencia.

Índice de aire
(Modelos homologados para la venta en California)

En los motores que están certificados para un período de durabilidad de las emisiones de acuerdo con las estipulaciones del Consejo de recursos de aire de California se les pone una etiqueta de información sobre el índice de aire.

El gráfico de barras tiene el propósito de proporcionarle a usted, nuestro cliente, la posibilidad de comparar el rendimiento de las emisiones de escape de los motores disponibles. Cuanto más bajo es el índice de aire, menos contaminación produce.

La descripción de la durabilidad tiene el propósito de informarle sobre el período de durabilidad de las emisiones de escape del motor.

El término descriptivo indica el período de vida de servicio del sistema de control de las emisiones de escape del motor. Consulte la *garantía del sistema de control de las emisiones de escape* para encontrar más información al respecto.

Término descriptivo	Aplicable al período de durabilidad de las emisiones
Moderado	50 horas (0–80 cc, incluido) 125 horas (más que 80 cc)
Intermedio	125 horas (0–80 cc, incluido) 250 horas (más que 80 cc)
Extendido	300 horas (0–80 cc, incluido) 500 horas (más que 80 cc) 1.000 horas (225 cc y más)

Especificaciones

GX120 (TDF de eje tipo S, con depósito de combustible)

Longitud × Anchura × Altura	297 × 346 × 329 mm
Masa en seco [peso]	13,0 kg
Tipo de motor	4 tiempos, monocilíndrico, válvulas en culata
Cilindrada [Diámetro × carrera]	118 cm ³ [60,0 × 42,0 mm]
Potencia neta (según SAE J1349*)	2,6 kW (3,5 CV) a 3.600 rpm
Par máx. neto (según SAE J1349*)	7,3 N·m (0,74 kgf·m) 2.500 rpm
Capacidad del aceite del motor	0,56 L
Capacidad del depósito de combustible	2,0 L
Sistema de refrigeración	Aire forzado
Sistema de encendido	Magneto transistorizado
Rotación del eje de la TDF	Hacia la izquierda

GX160 (TDF de eje tipo S, con depósito de combustible)

Longitud × Anchura × Altura	304 × 362 × 346 mm
Masa en seco [peso]	15,1 kg
Tipo de motor	4 tiempos, monocilíndrico, válvulas en culata
Cilindrada [Diámetro × carrera]	163 cm ³ [68,0 × 45,0 mm]
Potencia neta (según SAE J1349*)	3,6 kW (4,9 CV) a 3.600 rpm
Par máx. neto (según SAE J1349*)	10,3 N·m (1,05 kgf·m) a 2.500 rpm
Capacidad del aceite del motor	0,58 L
Capacidad del depósito de combustible	3,1 L
Sistema de refrigeración	Aire forzado
Sistema de encendido	Magneto transistorizado
Rotación del eje de la TDF	Hacia la izquierda

GX200 (TDF de eje tipo S, con depósito de combustible)

Longitud × Anchura × Altura	313 × 376 × 346 mm
Masa en seco [peso]	16,1 kg
Tipo de motor	4 tiempos, monocilíndrico, válvulas en culata
Cilindrada [Diámetro × carrera]	196 cm ³ [68,0 × 54,0 mm]
Potencia neta (según SAE J1349*)	4,1 kW (5,6 CV) a 3.600 rpm
Par máx. neto (según SAE J1349*)	12,4 N·m (1,26 kgf·m) a 2.500 rpm
Capacidad del aceite del motor	0,60 L
Capacidad del depósito de combustible	3,1 L
Sistema de refrigeración	Aire forzado
Sistema de encendido	Magneto transistorizado
Rotación del eje de la TDF	Hacia la izquierda

* La potencia nominal del motor indicada en este documento es la potencia de salida neta probada en un modelo de motor fabricado en serie y medida conforme a la norma SAE J1349 a 3.600 rpm (potencia neta) y a 2.500 rpm (par motor neto máx.). Los motores de producción de masas pueden tener un valor distinto a este. La potencia de salida real del motor instalado en el vehículo final variará dependiendo de numerosos factores, entre los que destacan la velocidad de funcionamiento aplicada al motor, las condiciones medioambientales, el mantenimiento y otras variables.

Especificaciones de puesta a punto GX120/160/200

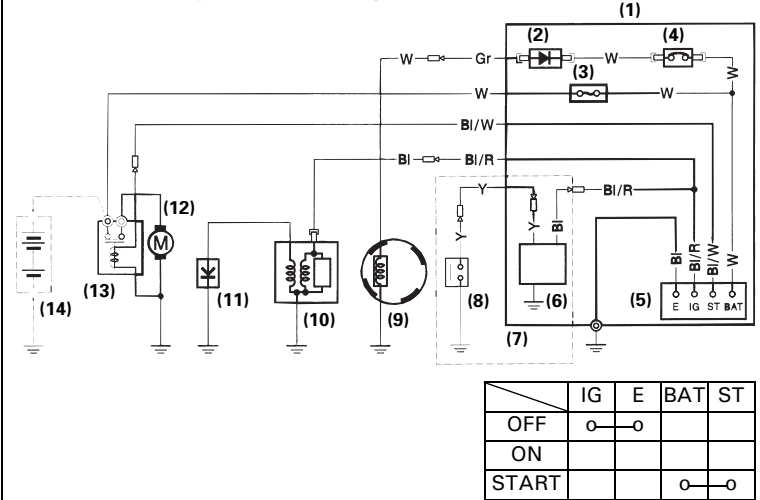
ELEMENTO	ESPECIFICACIÓN	MANTENIMIENTO	
Huelgo de bujía	0,7-0,8 mm	Consultar la página: 12	
Velocidad de ralentí	1.400 ⁺²⁰⁰ ₋₁₅₀ rpm	Consultar la página: 13	
Holgura de la válvula (frío)	GX120 GX200	AD: 0,15 ± 0,02 mm ES: 0,20 ± 0,02 mm	Consulte a su concesionario autorizado Honda
	GX160	AD: 0,08 ± 0,02 mm ES: 0,10 ± 0,02 mm	
Otras especificaciones	No se necesita ningún otro ajuste.		

Información de referencia rápida

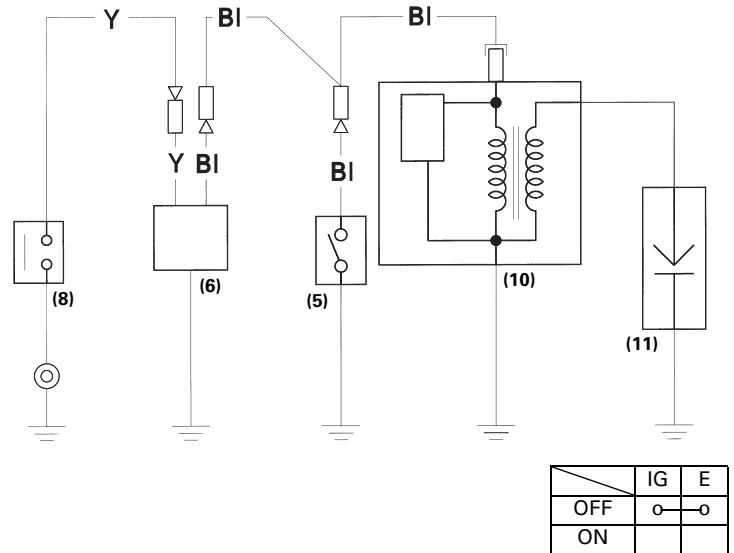
Combustible	Gasolina sin plomo (Consulte la página 8)	
	EE.UU.	86 octanos de bomba o superior
	Excepto EE.UU.	91 octanos de investigación o superior
Aceite del motor	SAE 10W-30, API SJ o posterior, para usos generales. Consultar la página 8.	
Aceite de la caja de reducción	Mismo aceite que el del motor, ver arriba (tipos aplicables).	
Bujía	BPR6ES (NGK) W20EPR-U (DENSO)	
Mantenimiento	Antes de cada uso:	
	<ul style="list-style-type: none"> • Compruebe el nivel de aceite del motor. Consultar la página 9. • Compruebe el aceite de la caja de reducción (tipos aplicables). Consultar la página 9-10. • Compruebe el filtro de aire. Consultar la página 10. 	
	Primeras 20 horas:	
	<ul style="list-style-type: none"> • Cambie el aceite del motor. Consultar la página 9. • Cambie el aceite de la caja de reducción (tipos aplicables). Consultar la página 10. 	
	Siguietes: Consultar el programa de mantenimiento de la página 7.	

Diagramas de conexiones

Con Oil Alert y motor de arranque eléctrico



Con Oil Alert y sin motor de arranque eléctrico



- | | |
|-------------------------------|---|
| (1) CAJA DE CONTROL | (8) INTERRUPTOR DE NIVEL DE ACEITE |
| (2) RECTIFICADOR | (9) BOBINA DE CARGA |
| (3) FUSIBLE | (10) BOBINA DE ENCENDIDO |
| (4) DISYUNTOR | (11) BUJÍA |
| (5) INTERRUPTOR DEL MOTOR | (12) MOTOR DE ARRANQUE |
| (6) UNIDAD DE AVISO DE ACEITE | (13) ELECTROVÁLVULA DEL MOTOR DE ARRANQUE |
| (7) Tipo con unidad Oil Alert | (14) BATERÍA (12 V) |

Bl	Negro	Br	Marrón
Y	Amarillo	O	Naranja
Bu	Azul	Lb	Azul claro
G	Verde	Lg	Verde claro
R	Rojo	P	Rosa
W	Blanco	Gr	Gris

INFORMACIÓN DEL CONSUMIDOR

Garantía e información para encontrar distribuidores/concesionarios

Estados Unidos, Puerto Rico, e Islas Vírgenes Estadounidenses:

Visite nuestro sitio en la Web: www.honda-engines.com

Canadá:

Llame al (888) 9HONDA9

o visite nuestro sitio Web: www.honda.ca

Para la zona de Europa:

Visite nuestro sitio en la Web: <http://www.honda-engines-eu.com>

Australia:

Llame al (03) 9270 1348

o visite nuestro sitio en la Web: www.hondampe.com.au

Información de servicio de clientes

El personal de los concesionarios de servicio son profesionales entrenados. Ellos podrán contestar a cualquier pregunta que usted les haga. Si se encuentra con un problema que su concesionario no puede resolver para dejarle satisfecho, comuníquese al jefe del concesionario. El jefe de servicio, el director general, o el propietario podrán ayudarle.

Casi todos los problemas se resuelven de este modo.

Estados Unidos, Puerto Rico, e Islas Vírgenes Estadounidenses:

Si no queda satisfecho con la decisión tomada por los jefes del concesionario, póngase en contacto con el distribuidor regional de motores Honda de su localidad.

Si todavía no está satisfecho después de hablar con el distribuidor de motor regional, podrá ponerse en contacto con la Oficina de Honda como se muestra.

Todas las otras zonas:

Si no queda satisfecho con la decisión tomada por los jefes del concesionario, póngase en contacto con la Oficina de Honda como se muestra.

«Oficina de Honda»

Cuando escriba o llame, tenga la amabilidad de incluir la información siguiente:

- Nombre del fabricante y número de modelo del equipo al que se ha montado el motor
- Modelo, número de serie, y tipo del motor (vea la página 16)
- Nombre del concesionario que le vendió el motor
- Nombre, dirección, y persona de contacto del concesionario que realiza el servicio de su motor
- Fecha de adquisición
- Su nombre, dirección y número de teléfono
- Una descripción detallada del problema

Estados Unidos, Puerto Rico, e Islas Vírgenes Estadounidenses:

American Honda Motor Co., Inc.

Power Equipment Division

Oficina de relaciones con el cliente

4900 Marconi Drive

Alpharetta, GA 30005-8847

O llamar por teléfono: (770) 497-6400, 8:30 am - 7:00 pm ET

Canadá:

Honda Canada, Inc.

180 Honda Blvd.

Markham, ON L6C 0H9

Teléfono: (888) 9HONDA9 Llamada gratuita

(888) 946-6329

Fax: (877) 939-0909 Llamada gratuita

Australia:

Honda Australia Motorcycle and Power Equipment Pty. Ltd.

1954-1956 Hume Highway

Campbellfield Victoria 3061

Teléfono: (03) 9270 1111

Fax: (03) 9270 1133

Para la zona de Europa:

Honda Motor Europe Logistics NV.

European Engine Center

<http://www.honda-engines-eu.com>

Todas las otras zonas:

Póngase en contacto con el distribuidor Honda de su zona para que le ayude.

HONDA
The Power of Dreams