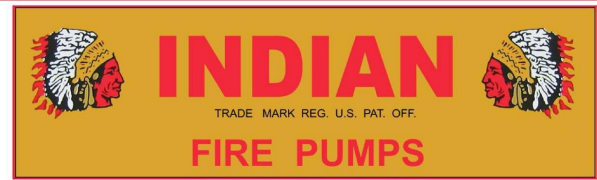




Table of Contents

2018 Featured Products

VIPER NOZZLES	Page
Select Gallonage	4-5
Blue Devil Select.....	6-7
Constant Gallonage	8-9
Automatic.....	10-11
Industrial.....	12-13
FOAM EQUIPMENT	
Viper Eductors and Foam Nozzles.....	14
Foam Gun Proportioner	15
NOZZLES and SHUTOFFS	
Piercing Nozzle.....	16
Small Dual Range Tips	17
Small Constant Flow Tips	17
Smooth Bores and Stacked Tips.....	18
Viper Integrated Smooth Bores.....	19
Ball Shutoffs.....	20-21
Smooth Bore Combos & CAFS.....	22
Combo "Break-Apart" Nozzles	23
FORESTRY PRODUCTS	
Wildland Equipment.....	24
Hose Coilers	25
GENFO Water Backpacks	26
INDIAN Water Backpacks	27
Drip Torch	28
High-Viz™ (High Visibility Products)	29
WATERFLOW ACCESSORIES	
Wye Valves.....	30
Hydrant Accessories	31
Brass Ball Valves/Strainers	32
Adapters & Reducers.....	33
Repair Parts	
C&S Repair Parts	34
INDIAN/GENFO Repair Parts	35
VIPER Repair Parts	36-37
TECHNICAL DATA	
Flow Data	38-40
Cross Reference.....	41-42
Viper Valve Diagram/Maintenance	43-44
Nozzle Selling Basics	45-46
Ordering and Warranty	47



SEE PAGE 27 for full Details



SEE PAGE 19 for full Details

CSsupplyinc.com

888-663-4966

VIPER - SELECT GALLONAGE

High performance nozzles with select flows

SG540

- MOP-10-25-40 GPM @ 100 psi
 - 1" swivel inlet NST or NPSH threads
- Wt: 3.6 lbs. Length: 8.85"



SG1560

- 15-30-50-60 GPM @ 100 psi
 - 1" swivel inlet NST or NPSH threads
- Wt: 3.6 lbs. Length: 8.85"



VIPER - SELECT GALLONAGE

High performance nozzles with select flows

SG9520(1.5)

- 95-125-150-200 GPM @ 100 psi
 - Swivel inlet 1.5" NST or NPSH threads
- Wt: 7 lbs. Length: 11.2"



SG9520(2.5)

- 95-125-150-200 GPM @ 100 psi
 - Swivel inlet 2.5" NST ONLY threads
- Wt: 7.5 lbs. Length: 12.8"



Features and Specifications:

- Nozzles are extruded with E-LITE alloy
- Hard-coated for corrosion protection and durability
- The Spinning Teeth offer a wide, complete coverage fog pattern
- Pistol Grip is comfortable and durable
- Selection ring has 4 flow positions without pattern change
- Viper Select Gallonage offers constant gallonage in all positions
- FLUSH without shutting down
- Low Pressure options available

Custom Options:

- Metal Handle
- Colored Handles and Pistol Grips
- Remove the pistol grip
- Lower operating pressures available 50 psi or 75 psi
- 1" and 1.5" available in both NST and NPSH
- Tip only available to make "Break-Apart" nozzles
- Tip only works great matched with our new integrated smooth bore shutoffs

SG3012

- 30-60-95-125 GPM @ 100 psi
 - 1.5" swivel inlet NST or NPSH threads
- Wt: 4.5 lbs. Length: 8.85"



SG7515

- 75-100-125-150 GPM @ 100 psi
 - FLUSH without shutting down
 - 1.5" swivel inlet NST or NPSH threads
- Wt: 4.5 lbs. Length: 8.85"



SG12250(1.5)

- 125-150-200-250 GPM @ 100 psi
 - Swivel inlet 1.5" NST or NPSH threads
- Wt: 7 lbs. Length: 11.2"



SG12250(2.5)

- 125-150-200-250 GPM @ 100 psi
 - Swivel inlet 2.5" NST ONLY threads
- Wt: 7.5 lbs. Length: 12.8"



4

888-663-4966

CSsupplyinc.com

5

VIPER - SELECT GALLONAGE

High performance nozzles with select flows



BlueDevil®

- BD550** (replaced BDS752)
5-10-25-50 GPM @ 100 psi
1" Swivel



Wt: 3.6 lbs. Length: 8.5"

- BD1560**
15-30-50-60 GPM @ 100 psi
1" Swivel



Wt: 3.6 lbs. Length: 8.5"

VIPER - SELECT GALLONAGE

High performance nozzles with select flows



BlueDevil®

- BD9520(1.5)**
95-125-150-200 GPM @ 100 psi
1.5" Swivel



Wt: 6.8 lbs. Length: 11"

- BD9520(2.5)**
95-125-150-200 GPM @ 100 psi
2.5" Swivel



Wt: 7.8 lbs. Length: 12.75"

Features and Specifications

- NFPA 1964 compliant (EN 15182-4 TYPE 3 certified)
- New 90 degree rotation from 30 degree fog to straight stream (one twist of the hand)
- Raised lug indicators on the selector and fog barrels for easier pattern and flow identification
- No teeth to break - Rylostatic teeth in the nozzle head to break up the water but not cause fingers in the stream like traditional fixed teeth
- Metal ball with front and rear seals to work under higher pressures (max 580 psi)
- Deeper ribs in selector ring for better grip
- 4 or 5 setting selection ring without pattern change
- FLUSH without shutting down
- Constant flow through fog and straight stream
- Standard operating pressure @ 100 psi (75 psi and 50 psi operating pressures available)
- Swivel inlet 1" and 1.5" NST or NPSH threads. (2.5" threads NST ONLY)



- BD3012**
30-60-95-125 GPM @ 100 psi
1.5" Swivel



Wt: 4.2 lbs. Length: 9.88"

- BD7515**
75-100-125-150 GPM @ 100 psi
1.5" Swivel



Wt: 4.2 lbs. Length: 9.88"

- BD3015**
30-60-95-125-150 GPM @ 100 psi
1.5" Swivel



Wt: 4.2 lbs. Length: 9.88"

- BD12250(1.5)**
125-150-200-250 GPM @ 100 psi
1.5" Swivel



Wt: 6.8 lbs. Length: 11"

- BD12250(2.5)**
125-150-200-250 GPM @ 100 psi
2.5" Swivel



Wt: 7.8 lbs. Length: 12.75"

6

888-663-4966

CSsupplyinc.com

7

VIPER - CONSTANT GALLONAGE

Heavy-duty, professional constant flow nozzles

CG1550

- Constant Flow- 30 GPM @ 100 psi (Standard)
- 1" swivel inlet NST or NPSH threads

Wt: 3.5 lbs. Length: 9.25"



Available Flow Configurations

CG1550	30GPM	40GPM
100 psi	•	•
75 psi	N/A	N/A
50 psi	N/A	N/A

VIPER - CONSTANT GALLONAGE

Heavy-duty, professional constant flow nozzles

CG8020(1.5)

- Constant Flow- 200 GPM @ 100 psi (Standard)
- 1.5" swivel inlet NST or NPSH threads

Wt: 6.5 lbs. Length: 11.2"



CG8020(2.5)

- Constant Flow- 200 GPM @ 100 psi (Standard)
- 2.5" swivel inlet NST threads ONLY

Wt: 7.5 lbs. Length: 13"



CG2510

- Constant Flow- 95 GPM @ 100 psi (Standard)
- 1.5" swivel inlet NST or NPSH threads

Wt: 4 lbs. Length: 9.84"



Features and Specifications:

- Choose your flow at your operating pressure
- Nozzles are extruded with E-LITE alloy
- Hard-coated for corrosion protection and durability
- Constant flow through fog and straight stream
- BIMATIC flush system allows flush without shutting down
- The Spinning Teeth offer a wide, complete coverage fog pattern
- Pistol Grip is comfortable and durable

Custom Options:

- Metal Handle
- Colored Handles and Pistol Grips
- Remove the pistol grip
- Lower operating pressures available 50 psi or 75 psi
- 1" and 1.5" available in both NST and NPSH
- Tip only available to make "Break-Apart" nozzles
- Tip only works great matched with our new integrated smooth bore shutoffs

CG5016

- Constant Flow- 125 GPM @ 100 psi (Standard)
- 1.5" swivel inlet NST or NPSH threads

Wt: 4 lbs. Length: 9.84"



Available Flow Configurations

CG2510	60 GPM	95 GPM
100 psi	•	•
75 psi	•	•
50 psi	•	•

Available Flow Configurations

CG5016	125 GPM	150GPM
100 psi	•	•
75 psi	•	N/A
50 psi	•	N/A

CG8020 Available Flow Configurations

CG8020	150 GPM	175 GPM	200 GPM	250 GPM
100P psi	•	•	•	•
75 psi	•	•	•	•
50 psi	•	•	•	N/A

VBPP-CG8020 (COMBO)

- Constant Flow- 250 GPM @ 100 psi (Standard)
- VBPP9520(2.5) + CG8020TIP
- 2.5" swivel inlet NST threads ONLY

Wt: 10 lbs. Length: 22"



8

888-663-4966

CSsupplyinc.com

9

VIPER - AUTOMATIC GALLONAGE

Automatic nozzles with modulated flows

FT1550

- Flow Range - 15 to 50 GPM
- 1" swivel inlet NST or NPSH threads

Wt: 4 lbs. Length: 9.25"



VIPER - AUTOMATIC GALLONAGE

Automatic nozzles with modulated flows

FT8020(2.5)

- Flow Range - 80 to 200 GPM
- 2.5" swivel inlet NST ONLY

Wt: 7.5 lbs. Length: 13"



FT8020(1.5)

- Flow Range - 80 to 200 GPM
- 1.5" swivel inlet NST or NPSH threads

Wt: 6.5 lbs. Length: 11.2"



FT2510

- Flow Range - 25 to 100 GPM
- 1.5" swivel inlet NST or NPSH threads

Wt: 5 lbs. Length: 9.84"



Features and Specifications:

- Internal spring modulates flow without sacrificing pattern
- Nozzles are extruded with E-LITE alloy
- Hard-coated for corrosion protection and durability
- Constant flow through fog and straight stream
- BIMATIC flush system allows flush without shutting down
- The Spinning Teeth offer a wide, complete coverage fog pattern
- Pistol Grip is comfortable and durable

Custom Options:

- Metal Handle
- Colored Handles and Pistol Grips
- Remove the pistol grip
- Lower operating pressures available 50 psi or 75 psi
- 1" and 1.5" available in both NST and NPSH
- Tip only available to make "Break-Apart" nozzles
- Tip only works great matched with our new integrated smooth bore shutoffs

FT5016

- Flow Range - 50 to 160 GPM
- 1.5" swivel inlet NST or NPSH threads

Wt: 5 lbs. Length: 9.84"



FT12250(1.5)

- Flow Range - 125 to 250 GPM
- 1.5" swivel inlet NST or NPSH threads

Wt: 6.5 lbs. Length: 11.2"



FT12250(2.5)

- Flow Range - 125 to 250 GPM
- 2.5" swivel inlet NST ONLY

Wt: 7.5 lbs. Length: 13"



10

888-663-4966

CSsupplyinc.com

11

VIPER - INDUSTRIAL NOZZLES

Heavy-duty Utility nozzles

ST1530-PV

1" Constant Flow nozzle 30 GPM with ball shutoff and pistol grip.



Features and Specifications:

- Can be used as a break-apart
- Large protective rubber bumpers
- Tip twists to shut off
- Safe and durable (individually tested)
- Shutoff handles available in colors to match pre-connect lines: Black, Red, Yellow, Orange, Blue, Green
- 30 GPM @ 100 psi
- 1" swivel NST or NPSH
- Break-apart tip is 1" rigid base NST or NPSH

Wt: 3.5 lbs. Length: 9.45"

ST2510-PV

1 1/2" Constant Flow nozzle 95 GPM with ball shutoff and pistol grip.

Features and Specifications:

- Can be used as a break-apart (NST Model Only)
- Large protective rubber bumpers
- Tip twists to shut off
- Safe and durable (individually tested)
- Shutoff handles available in colors to match pre-connect lines: Black, Red, Yellow, Orange, Blue, Green
- 95 GPM @ 100 psi
- 1 1/2" swivel NST or NPSH
- Break-apart tip is 1 1/2" rigid base NST Only

Wt: 3.5 lbs. Length: 10.6"



ST5016-PV

1 1/2" Constant Flow nozzle 125 GPM with ball shutoff and pistol grip.



Features and Specifications:

- Can be used as a break-apart (NST Model Only)
- Large protective rubber bumpers
- Tip twists to shut off
- Safe and durable (individually tested)
- Shutoff handles available in colors to match pre-connect lines: Black, Red, Yellow, Orange, Blue, Green
- 125 GPM @ 100 psi
- 1 1/2" swivel NST or NPSH
- Break-apart tip is 1 1/2" rigid base NST Only

Wt: 3.5 lbs. Length: 10.6"

VIPER - INDUSTRIAL NOZZLES

Heavy-duty Utility nozzles

ST2510-PV(2.5)

2.5" Constant Flow nozzle 95 GPM with ball shutoff and pistol grip.



Features and Specifications:

- Can be used as a break-apart
- Large protective rubber bumpers
- Tip twists to shut off
- Safe and durable (individually tested)
- Shutoff handles available in colors to match pre-connect lines: Black, Red, Yellow, Orange, Blue, Green
- 95 GPM @ 100 psi
- 2.5" swivel NST Only
- Break-apart tip is 1.5" rigid base NST Only

Wt: 6.2 lbs. Length: 13.25"

ST5016-PV(2.5)

2.5" Constant Flow nozzle 125 GPM with ball shutoff and pistol grip.



Features and Specifications:

- Can be used as a break-apart
- Large protective rubber bumpers
- Tip twists to shut off
- Safe and durable (individually tested)
- Shutoff handles available in colors to match pre-connect lines: Black, Red, Yellow, Orange, Blue, Green
- 125 GPM @ 100 psi
- 2.5" swivel NST Only
- Break-apart tip is 1.5" rigid base NST Only

Wt: 6.2 lbs. Length: 13.25"

VTE1550-B

- Composite Nozzle
- 30 GPM Constant Flow
- 1" NST or NPSH

Wt: 1 lb. Length: 5"



ST2510-B TIP

- 95 GPM BRASS Constant Flow
- Spinning teeth
- 1.5" NST

Wt: 2.6 lb. Length: 5"



VTE2510

- Composite Nozzle
- 95 GPM Constant Flow
- 1.5" NST or NPSH

Wt: 1 lb. Length: 5"



Black Knight

- Fiberglass Reinforced Composite
- 95 GPM Constant Flow
- 1.5" NST or NPSH

Wt: 1 lb. Length: 5"



ST2510 TIP

- 95 GPM Constant Flow
- Spinning teeth
- 1.5" NST

Wt: 1 lb. Length: 5"



ST5016 TIP

- 125 GPM Constant Flow
- Spinning teeth
- 1.5" NST

Wt: 1 lb. Length: 5"



CSsupplyinc.com

12

888-663-4966

13

PORTABLE FOAM EQUIPMENT

Simple, Lightweight and Durable

BYPP1550-DIAL

Foam Eductor with Water Bypass & Metering Dial

- 30 GPM
- 1" rigid thread NST

BYPP3012-DIAL

Foam Eductor with Water Bypass & Metering Dial

- 60 GPM
- 1.5" rigid thread NST

BYPP7515-DIAL

Foam Eductor with Water Bypass & Metering Dial

- 95 GPM
- 1.5" rigid thread NST

BYPP9520-DIAL

Foam Eductor with Water Bypass & Metering Dial

- 125 GPM
- 1.5" rigid thread NST



Wt: 3 lbs. Length: 15.5"

PVB1560

- 30 GPM
- 1" Swivel NST or NPSH
- Expansion rate from 8:1 to 12:1

Wt: 3 lbs. Length: 15.5"



PVB3012

- 60 GPM
- 1.5" Swivel NST or NPSH
- Expansion rate from 8:1 to 12:1

Wt: 3.5 lbs. Length: 19"



PVB7515

- 95 GPM
- 1.5" Swivel NST or NPSH
- Expansion rate from 8:1 to 12:1

Wt: 3.5 lbs. Length: 19"



CEP 1560

Foam tube designed to easily clamp on Viper SG1560, BD550 and BD1560

- Expansion rate from 8:1 to 12:1

Wt: 1 lb. Length: 12"



CEP 3012

Foam tube designed to easily clamp on Viper SG, FT and CG nozzles

- For: SG3012 / SG7515 / SG9520 - CG2510 / CG5016 / CG8020 - FT2510 / FT5016 / FT8020
- Expansion rate from 8:1 to 12:1

Wt: 2 lbs. Length: 16"



14

888-663-4966



CSsupplyinc.com

15

Foam Gun Proportioner

THE FOAM GUN PROPORTIONER FOAM CARTRIDGES

FGP12-1

- For 12" or smaller hard cartridge foam sticks
- 1" Rigid Fe. X 1" M. NST or NPSH
- Now includes 2 class "A" Foam Cartridges

Wt: 2.2 lbs. Length: 15.5"



FGP12-15

- For 12" or smaller hard cartridge foam sticks
- 1.5" Rigid Fe. X 1.5" M. NST or NPSH
- Now includes 2 class "A" Foam Cartridges

Wt: 2.2 lbs. Length: 15.5"



FGP6-1

- For 6" or smaller hard cartridge foam sticks
- 1" Rigid Fe. X 1" M. NST or NPSH
- Now includes 2 class "A" Foam Cartridges

Wt: 1.6 lbs. Length: 9.25"



FGP6-15

- For 6" or smaller hard cartridge foam sticks
- 1.5" Rigid Fe. X 1.5" M. NST or NPSH
- Now includes 2 class "A" Foam Cartridges

Wt: 1.6 lbs. Length: 9.25"



FCA-24

- Price per box if 1-9 boxes are purchased (See Price List)
- 1 BOX of 24 - 12" Class A foam cartridges

Wt: 14.4 lbs. Length: 12"

FCA-240

- Price per box if 10+ boxes are purchased (See Price List)
- 1 BOX of 24 - 12" Class A foam cartridges

Wt: 14.4 lbs. Length: 12"



PIERCING NOZZLE

PN-100

- Stainless steel construction
- Removable penetrating tip for replacement
- Durable strike plate to drive the nozzle through dense materials
- Spray pattern from 60° forward to 10° backward for complete coverage
- Recessed spray holes keeps debris out so the flow is not obstructed
- 100 gpm @ 100 psi
- 120 gpm @ 150 psi

Swivel: 1.5" NST or NPSH

Length: 41" Weight: 13 lbs.



PN-100-HOSE

- 6' Hose extension for PN-100
- 1.75" double jacket with 1.5" couplings

Swivel: 1 1/2" NST

Length: 6' Weight: 3.2 lbs.



PN-100-TIP

- Spray pattern from 60° forward to 10° backward for complete coverage
- 100 gpm @ 100 psi
- 120 gpm @ 150 psi

Length: 10"

Weight: 2.4 lbs.



PN-100-EXT

- 3' stainless steel extension for PN-100

Length: 36"

Weight: 10.4 lbs.



PN-100-COMBO

- PN100 + PN-100-HOSE + SBV155S
- COMBO increases maneuverability of the nozzle at a nice price.

Swivel: 1.5" NST

Length: 41" Weight: 17 lbs.



16

888-663-4966



Wt: 1 lb. Length: 4"

CSsupplyinc.com

17

SMALL NOZZLE TIPS

Durable and Economical

- All C&S Nozzle Tips can be combined with a C&S Shutoff valve to make a custom 'Combo' nozzle
- C&S Nozzles are constructed of hard anodized aluminum and stainless steel components
- Most come with a heavy duty rubber bumper for added protection (Exception: Bumperless models)
- Flow from 5 GPM to 100 GPM
- Ideal for firefighting and industrial uses
- Adjustable from fog to straight stream to off with twist shutoff
- All C&S Nozzle Tips can be combined with a C&S Shutoff valve to make a custom 'Combo' nozzle (see pg. 23)
- (Dual flow nozzles starting from the off position twist to Low Flow Straight Stream, to Low Flow Partial Fog, to High Flow Straight Stream to High Flow Fog)

105/15BL

- NEW LOWER FLOW!
- 5 to 15 GPM Dual Flow
- 1" NST or NPSH

110/23BL

- 10 to 23 GPM Dual Flow
- 1" NST or NPSH

110/23BL GHT

- 10 to 23 GPM Dual Flow
- 3/4" GHT



Wt: 1 lb. Length: 4"

105/15

- NEW LOWER FLOW!
- 5 to 15 GPM Dual Flow
- 1" NST or NPSH

110/23

- 10 to 23 GPM Dual Flow
- 1" NST or NPSH

110/23 GHT

- 10 to 23 GPM Dual Flow
- 3/4" GHT



Wt: 1 lb. Length: 4"

1560/20

- 20 to 60 GPM Dual Flow
- 1.5" NST or NPSH

1590/20

- 20 to 90 GPM Dual Flow
- 1.5" NST or NPSH



Wt: 1 lb. Length: 5"

MADDDOG

- Low/Medium expansion foam tube
- Fits 105/15, 110/23, 1560/20, 1590/20, 115, 130, 1560, 15100. Can be added to VTE2510 and Black Knight if the bumper is removed.



Wt: 1 lb. Length: 4"

CSsupplyinc.com

115BL

- NEW LOWER FLOW!
- 15 GPM Constant Flow
- 1" NST or NPSH

130BL

- 30 GPM Constant Flow
- 1" NST or NPSH

130BL GHT

- 30 GPM Constant Flow
- 3/4" GHT



Wt: 1 lb. Length: 4"

115

- NEW LOWER FLOW!
- 15 GPM Constant Flow
- 1" NST or NPSH

130

- 30 GPM Constant Flow
- 1" NST or NPSH

130 GHT

- 30 GPM Constant Flow
- 3/4" GHT



Wt: 1 lb. Length: 4"

1560

- 60 GPM Constant Flow
- 1.5" NST or NPSH

15100

- 100 GPM Constant Flow
- 1.5" NST or NPSH



Wt: 1 lb. Length: 5"

SMOOTH BORES AND STACKED TIPS

The standard in smooth bore nozzles



1" Smooth Bore features:

- Constructed of anodized aluminum
- Available in 1" NST and NPSH
- 1" Straight Bores are best used with the VB1560 Shutoff

Wt: 0.8 lbs. Length: 4"

1 1/2" Smooth Bore features:

- Constructed of anodized aluminum
- Available in both NST and NPSH
- 1 1/2" Straight Bores are best used with the VB9520 Shut-Off

Wt: 0.8 lbs. Length: 5"



1" ST BR 3/16"	3/16" Outlet	Smooth Bore Nozzle	ST BR 3/8"	3/8" Outlet	Smooth Bore Nozzle
1" ST BR 1/4"	1/4" Outlet	Smooth Bore Nozzle	ST BR 1/2"	1/2" Outlet	Smooth Bore Nozzle
1" ST BR 3/8"	3/8" Outlet	Smooth Bore Nozzle	ST BR 5/8"	5/8" Outlet	Smooth Bore Nozzle
1" ST BR 1/2"	1/2" Outlet	Smooth Bore Nozzle	ST BR 3/4"	3/4" Outlet	Smooth Bore Nozzle
1" ST BR 5/8"	5/8" Outlet	Smooth Bore Nozzle	ST BR 7/8"	7/8" Outlet	Smooth Bore Nozzle
1" ST BR 3/4"	3/4" Outlet	Smooth Bore Nozzle	ST BR 15/16"	15/16" Outlet	Smooth Bore Nozzle
1" ST BR 15/16"	15/16" Outlet	Smooth Bore Nozzle	ST BR 1"	1" Outlet	Smooth Bore Nozzle
			ST BR 1-1/16"	1 1/16" Outlet	Smooth Bore Nozzle
			ST BR 1-1/8"	1 1/8" Outlet	Smooth Bore Nozzle
			ST BR 1-1/4"	1 1/4" Outlet	Smooth Bore Nozzle

1.5" Stacked Tip features:

- Constructed of anodized aluminum
- 1 1/2" NST and NPSH

STT-2 15/16" and 1/2" Outlets

- Dual Stacked Tip

Wt: 1 lb. Length: 8"

STT-1 1 1/4", 1 1/8", and 1" Outlets

- Triple stacked tip

Wt: 2 lbs. Length: 12"



SMOOTH BORE THEORETICAL FLOW DATA/ GPM

psi	3/16"	1/4"	3/8"	1/2"	5/8"	3/4"	7/8"	15/16"	1"	1 1/16"	1 1/8"	1 1/4"
40	6.5	11	27	48	73	107	143	166	189	212	239	295
50	7.5	13	31	54	82	119	160	186	211	237	267	329
60	8	14	32	57	89	129	176	202	230	259	291	359
80	9.3	16.6	37	66	103	149	203	233	265	299	336	415
100	10	18	43	75	116	168	227	262	298	335	377	465

VB1560 VB1560 VB1560 VB1560 VB1560 VB1560 (CAFS) VB1560 (CAFS)
 VB3012 VB3012 VB3012
 VB9520 VB9520 VB9520 VB9520 VB9520 VB9520 VB9520 VB9520
 VB9520-2.5 VB9520-2.5 VB9520-2.5 VB9520-2.5 VB9520-2.5 VB9520-2.5 VB9520-2.5 VB9520-2.5

WORKS BEST WITH:

18

888-663-4966



INTEGRATED SMOOTH BORE NOZZLES

The new standard in smooth bore nozzles

VB9520-ISB1(1.5)

- 1" Smooth bore tip Integrated into the shutoff
- Made of extruded E-Lite alloy and hard coated
- Light-weight and durable
- Quality polymer balls & seats and shutoff handles
- Smooth full 1 3/8" waterway
- 1.5" Swivel Fe. NST or NPSH x 1.5" M. NST

Wt: 4 lbs.

VB9520-ISB15/16(1.5)

- 15/16" Smooth bore tip Integrated into the shutoff
- Made of extruded E-Lite alloy and hard coated
- Light-weight and durable
- Quality polymer balls & seats and shutoff handles
- Smooth full 1 3/8" waterway
- 1.5" Swivel Fe. NST or NPSH x 1.5" M. NST

Wt: 4 lbs.

VB9520-ISB7/8(1.5)

- 7/8" Smooth bore tip Integrated into the shutoff
- Made of extruded E-Lite alloy and hard coated
- Light-weight and durable
- Quality polymer balls & seats and shutoff handles
- Smooth full 1 3/8" waterway
- 1.5" Swivel Fe. NST or NPSH x 1.5" M. NST

Wt: 4 lbs.



Add a nozzle tip to any VB9520-ISB to create a "Break-Apart" nozzle



CG8020TIP-150LP50 + VB9520-ISB7/8(1.5)

CSsupplyinc.com

19

BALL SHUTOFFS

Economical, Lightweight, Easy to Operate

VB1560

- Made of extruded E-Lite alloy and hard coated
- Light-weight and durable
- Quality polymer balls & seats and shutoff handles
- Smooth full 1" waterway
- Full time swivel
- Comfortable pistol grip
- 1" Swivel Fe. NST or NPSH x 1" M. NST or NPSH

Wt: 2.5 lbs.

VB3012

- Made of extruded E-Lite alloy and hard coated
- Light-weight and durable
- Quality polymer balls & seats and shutoff handles
- Smooth full 1" waterway
- Full time swivel
- Comfortable pistol grip
- 1.5" Swivel Fe. NST or NPSH x 1.5" M. NST or NPSH

Wt: 2.5 lbs.

VB9520 (1.5)

- Made of extruded E-Lite alloy and hard coated
- Light-weight and durable
- Quality polymer balls & seats and shutoff handles
- Smooth full 1 3/8" waterway
- Full time swivel
- Comfortable pistol grip
- 1.5" Swivel Fe. NST or NPSH x 1.5" M. NST or NPSH

Wt: 4 lbs.

VB9520 (2.5)

- Made of extruded E-Lite alloy and hard coated
- Light-weight and durable
- Quality polymer balls & seats and shutoff handles
- Smooth full 1 3/8" waterway
- Full time swivel
- Comfortable pistol grip
- 2.5" Swivel Fe. NST x 1.5" M. NST or NPSH

Wt: 5 lbs.

VBPP9520 (2.5)

- Made of extruded E-Lite alloy and hard coated
- Light-weight and durable
- Quality polymer balls & seats and shutoff handles
- Smooth full 1 3/8" waterway
- Full time swivel
- Wrap around playpipe handles
- 2.5" Swivel Fe. NST x 1.5" M. NST

Wt: 5 lbs.



Also Available with metal handle
VB1560-M



Also Available with metal handle
VB3012-M



Also Available with metal handle
VB9520-M 1.5"



Also Available with metal handle
VB9520-M 2.5"



BALL SHUTOFFS

Economical, Lightweight, Easy to Operate

SBV10SS-M

- Made of hard coated Aluminum
- Light-weight and durable
- Quality polymer balls & seats
- Cast aluminum shutoff handle
- Smooth full 1" waterway
- 1" Swivel Fe. NST or NPSH x 1" M. NST or NPSH

Wt: 1.2 lbs.

SBV10SS

- Made of hard coated Aluminum
- Light-weight and durable
- Quality polymer balls & seats and shutoff handles
- Smooth full 1" waterway
- 1" Swivel Fe. NST or NPSH x 1" M. NST or NPSH

Wt: 1 lb.

SBV15SS-M

- Made of hard coated Aluminum
- Light-weight and durable
- Quality polymer balls & seats
- Cast aluminum shutoff handle
- Smooth full 1" waterway
- 1.5" Swivel Fe. NST or NPSH x 1.5" M. NST or NPSH

Wt: 1.2 lbs.

SBV15SS

- Made of hard coated Aluminum
- Light-weight and durable
- Quality polymer balls & seats and shutoff handles
- Smooth full 1" waterway
- 1.5" Swivel Fe. NST or NPSH x 1.5" M. NST or NPSH

Wt: 1.5 lbs.

VB9520NPG (1.5)

- Made of extruded E-Lite alloy and hard coated
- Light-weight and durable
- Quality polymer balls & seats and shutoff handles
- Smooth full 1 3/8" waterway
- 1.5" Swivel Fe. NST or NPSH x 1.5" M. NST or NPSH

Wt: 4 lbs.

VB9520NPG (2.5)

- Made of extruded E-Lite alloy and hard coated
- Light-weight and durable
- Quality polymer balls & seats and shutoff handles
- Smooth full 1 3/8" waterway
- 2.5" Swivel Fe. NST x 1.5" M. NST or NPSH

Wt: 5 lbs.



20

888-663-4966

CSsupplyinc.com

21

CAFS & SMOOTH BORE NOZZLES

Quality COMPRESSED AIR FOAM solutions

CAFS-VIP-10

The C&S 1" CAFS Nozzle is a combination of the VB1560 Ball shutoff with full 1" waterway with a choice of a C&S Supply 1" Smooth bore tip (3/16", 1/4", 3/8", 1/2", 5/8", 3/4" or 15/16" outlet) Not using CAFS? This combo makes a great complete smooth bore nozzle. Both parts are constructed of hard coated aluminum.

COMBO consists of:

- 1 ST BR 15/16" (page 18)
- Note: Choice of outlet sizes above, w/ 1" base (comes standard with 15/16" outlet)
- VB1560 (page 20)
- 1" Fe. Swivel Inlet NST or NPSH

Wt: 2.8 lbs Length: 9.25"



CAFS-VIP-15

The C&S 1.5" CAFS Nozzle is a combination of the VB9520 Ball shutoff with full 1 3/8" waterway with a choice of a C&S Supply 1 1/2" Smooth bore tip (3/4", 15/16", 1", 1-1/16", 1-1/8" outlet) Not using CAFS? This combo makes a great complete smooth bore nozzle. Both parts are constructed of hard coated aluminum.

COMBO consists of:

- ST BR 1-1/8" (page 18)
- Note: Choice of outlet sizes above, w/ 1.5" base (comes standard with 1-1/8" outlet)
- VB9520(1.5) (page 20)
- 1.5" Fe. Swivel Inlet NST or NPSH

Wt: 4.4 lbs. Length: 11"



STBR-VIP-25

The C&S 2.5" Straight Bore Nozzle is a combination of the VB9520 2.5" Ball shutoff with full 1 3/8" waterway with a choice of a C&S Supply 1 1/2" Smooth bore tip (3/4", 15/16", 1", 1-1/16", 1-1/8" outlet) This combo makes a great complete smooth bore nozzle. Both parts are constructed of hard coated aluminum.

COMBO consists of:

- ST BR 1" (page 18)
- Note: Choice of outlet sizes above, w/ 1.5" base (comes standard with 1" outlet)
- VB9520(2.5) (page 20)
- 2.5" Fe. Swivel Inlet NST Only

Wt: 5.6 lbs. Length: 12.75"



VBPP-STT1

The C&S Playpipe combo is a combination of the VBPP9520-2.5 Ball shutoff with full 1 3/8" waterway with a Triple Stack smooth bore nozzle with 1 1/4", 1 1/8", and 1" outlets. This combo makes a great complete 2.5" smooth bore nozzle. All parts are constructed of hard coated aluminum.

COMBO consists of:

- STT-1" (page 18)
- Note: Outlet sizes: 1 1/4", 1 1/8", and 1" w/ 1.5" NST base
- VBPP9520(2.5) (page 20)
- 2.5" Fe. Swivel Inlet NST Only

Wt: 7.2 lbs. Length: 22"



888-663-4966

22

COMBO "BREAK-APART" NOZZLES

SB-VIP-10

The C&S 1" Economy Special, "BREAK-APART" nozzle is a combination of the VB1560 Ball shutoff with full 1" waterway with a C&S Supply 1" Bumperless Dual Range nozzle which flows 10 and 23 GPM. Both parts are constructed of hard coated aluminum.

COMBO consists of:

- 110/23BL (page 17)
- VB1560 (page 20)
- 1" NST or NPSH

Wt: 2.5 lbs. Length: 7.5"



SB-VIP-15

The C&S 1.5" Economy Special, "BREAK-APART" nozzle is a combination of the VB9520 Ball shutoff with full 1 3/8" waterway with a choice of a C&S Supply 1 1/2" Small Dual range or Constant Flow Nozzle. The combo comes standard with the 1560/20 (optional tips: 1550/20, 1560, or 15100) Both parts are constructed of hard coated aluminum.

COMBO consists of:

- 1560/20 (page 17)
- VB3012 (page 20)
- 1.5" NST or NPSH

Wt: 3.4 lbs. Length: 7.5"

SB-FGP12-1

1" High performance hard foam cartridge proportioner nozzle with pistol grip for 12" or smaller hard cartridge foam sticks. The combo comes standard with the 110/23 (optional tips: 105/15, 115, or 130)

COMBO consists of:

- VB1560 - 1" Shutoff with pistol grip
- FGP12-1 - 1" Foam Gun Proportioner
- 110/23 - 1" Nozzle tip 10/23 GPM
- FCA-02 - 2 X 12" Class "A" Foam Cartridges

Wt: 5lbs. Length: 25"



COMBO available with the shorter 6" proportioner as well:
SB-FGP6-1

SB-FGP12-15

1.5" High performance hard foam cartridge proportioner nozzle with pistol grip for 12" or smaller hard cartridge foam sticks. The combo comes standard with the 1560/20 (optional tips: 1590/20, 1560, or 15100)

COMBO consists of:

- VB3012 - 1.5" Shutoff with pistol grip
- FGP12-15 - 1.5" Foam Gun Proportioner
- 1560/20 - 1.5" Nozzle tip 20/60 GPM
- FCA-02 - 2 X 12" Class "A" Foam Cartridges

Wt: 5lbs. Length: 25"



COMBO available with the shorter 6" proportioner as well:
SB-FGP6-15

CSsupplyinc.com

23

WILDLAND EQUIPMENT

TT300

- Valve has three positions: Lower Outlet, Upper Outlet, and Off
- Outlets are 3/4" NH (Garden Hose Threads)
- Standard tips are 3 GPM Fog and 3/16" straight Bore Tip
- Other tip options are (Specify configuration):

Fog tips:

- TT300 FOG TIP - 3 GPM (Standard)
- TT300 FOG TIP - 6 GPM
- TT300 FOG TIP - 15 GPM

- 1" Fe. Rigid NST or NPSH
- Wt: 1.5 lbs. Length: 6"



Straight bore tips:

- TT300 STRAIGHT TIP 3/16" (Standard)
- TT300 STRAIGHT TIP - 1/4"
- TT300 STRAIGHT TIP - 3/8"

FLT130

- Compact Smooth bore nozzle with flat stream pan
 - 30GPM@100 psi fully open in smooth bore position
 - 20GPM@100 psi in flat stream position
 - 3/4" garden hose insert in a 1" Fe. NPSH Rigid Base
- Wt: 0.5 lbs. Length: 5"



TV1510

- The T-Valve is cast aluminum designed to help extend wildland fire fighting hose lays and to supply an additional 1" line for filling pump cans or mop-up use
 - The 1" outlet is controlled by an internal valve with a handle
 - 1.5" Fe. x 1.5" M. x 1" M. Any combination of NST or NPSH (Specify Thread Combination)
- Wt: 1 lb. Length: 5"



T-1

- No Valve
 - Includes cap and chain
 - 1" Fe. NST x 1.5" M. NST or NPSH
- Wt: .05 lbs. Length: 4"



T-1.5

- No Valve
 - Includes cap and chain
 - 1.5" Fe. NST x 1.5" M. NST x 1" M. NPSH or
 - 1.5" Fe. NST x 1.5" M. NST x 1" M. NST
- Wt: .05 lbs. Length: 5"



CAP & CHAIN

- Aluminum Cap with Brass Chain
 - Can be added to TV1510
 - Comes with T-1 and T-1.5 as shown on the left
 - 1" Fe. NST or NPSH
- Wt: .5 lbs.



HC1510

- More rigid design with knuckle guard
 - Curved clamping area and clasp design for easy, secure operation
 - The wildland hose clamp is made of cast aluminum
 - Designed for use on single jacket fire hose up to 1.75"
 - It has a built-in spanner for use on fittings 2.5" and smaller
- Wt: 1.8 lbs. Length: 10.75"



24

888-663-4966



CSsupplyinc.com

25

HOSE COILERS

Saving firefighters backs since 1996

MC40 & MC65

- Designed to make easy work out of coiling 100' of single jacket or 50' of double jacket hose
- Folds up for small storage and easy transportation
- Capable of Dutch rolls
- Mounting bracket (MB) included
- Trailer Hitch and Wildland Mounting Brackets available for more flexibility in where hose can be coiled, see below



MC40 OR MC65 (WALL MOUNTED FOR USE)

MC80

- Designed to make easy work out of coiling 4" to 7" hose
- Attaches to the Hitch Receiver of a pickup or the Tailboard of a truck using TB80 or to your trailer hitch mount using TH80. Both are included
- Constructed of heavy gauge steel for superb durability



MC80

MC40

- Rolls 1" - 1.5" hose
 - MB mount included
- Wt: 6.5 lbs.



MC40 OR MC65 (COLLAPSED FLAT FOR STORAGE) Dimensions: 15" x 11" x 2"

MC65

- Rolls 1.5" to 3" hose
 - MB mount included
- Wt: 7 lbs.

MC80

- Rolls 4" to 7" hose
 - Comes with both a TB80 and a TH80 mount included
- Wt: 10 lbs.



MC80

TB80

TH80

MB

- Additional Square Mount for the MC40 or MC65 Coilers. The Square Mount can be bolted to any Vertical surface
- Wt: 1 lb.



THMB

- The THMB (Trailer Hitch Mounting Bracket) makes for quick field setup, use, and breakdown of the MC40 or MC65 Hose Coilers. It slides into any class 4 (2") hitch receiver tube
- Wt: 5 lbs.



WLMB

- The WLMB (Wild Land Mounting Bracket) is great for remote use where finding a place to mount the MC40 or MC65 can be tricky. Simply drive the mount into the ground roll up the hose
- Wt: 6 lb.



TH80

- Extra trailer hitch mount for the MC80 Hose Coiler
- Wt: 1 lb.



TB80

- Extra mount for the MC80 bolts to the Tailboard so hose can be directly loaded into the hose bed of the engine. The Tailboard Mount can be bolted to any sturdy horizontal surface
- Wt: 1.5 lbs.



24

888-663-4966



CSsupplyinc.com

25

Genfo Water Backpacks

The Cadillac of water backpacks

GENFO45

- The C&S original Water Back Pack
 - Padded shoulder straps and waist belt
 - 5 gallon capacity (only 4 minutes to completely discharge)
 - Industrial quick connects for quick fill or stowing the pump wand
 - Double action chrome plated brass hand pump
 - Effective stream distance of up to 24 feet (max 30 feet)
 - Large 4" filtered polymer cap for easy refill
 - Durable polymer and textile collapsible reservoir
 - Thermo-welded seams for strength and durability
 - Reinforced at the top and bottom for extra durability
 - Flexible horizontal baffle inside to reduce shifting water weight
 - Nozzle tip adjusts from straight stream to spray pattern
 - Easy 'No Tool' maintenance
- Wt: 5 lbs. (dry weight)

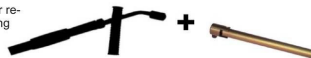


GENFO-PRO

- The new more comfortable and versatile Water backpack
 - 5 gallon capacity (only 4 minutes to completely discharge)
 - Industrial quick connects for quick fill or stowing the pump wand
 - Double action chrome plated brass hand pump
 - Effective stream distance of up to 24 feet (max 30 feet)
 - Large 4" polymer cap with Screen for easy refill
 - Durable textile pack with separate replaceable reservoir
 - Thermo welded seams for strength and durability
 - Padded shoulder straps and waist belt
 - Storage pouch for foam concentrate
 - Straps to hold the wand and/or hold a tool
 - Nozzle tip adjusts from straight stream to spray pattern
 - Easy 'No Tool' maintenance
- Wt: 5 lbs. (dry weight)

GENFO45 FOAM TUBE

- Foam attachment option is quick to install or remove and aspirates the foam solution making finished foam
- Wt: 1 lb.



26

888-663-4966



Indian Water Backpacks

The Original - Made in USA

IN-90G (Galvanized) or IN-90S (Stainless)

- 5 gallon capacity
 - INDIAN brass hand pump (larger bodied original style pump)
 - Effective stream distance of up to 30 feet
 - Large 4" cap for easy refill
 - Internal vertical baffle to minimize water slosh
 - Air cooled lumbar support
 - Easy 'No Tool' maintenance
- Wt: 11 lbs. (dry weight)



IN-FER501 (Poly)

- 5 gallon capacity with measurement marks on the side
 - FEDCO brass hand pump (newer efficient pump)
 - Effective stream distance of up to 30 feet
 - Large 4" cap with debris filter for easy refill
 - Yoke style padded shoulder straps
 - Easy 'No Tool' maintenance
- Wt: 8.8 lbs. (dry weight)



IN-CRSTEEL

- Carry Rack for steel packs
- Wt: 2 lbs.



IN-CRPLY

- Carry Rack for Poly packs
- Wt: 2 lbs.



IN-DBD500 (INDIAN CHIEF)

- Rolls up to fit in small areas when not in use
 - 5 gallon capacity
 - FEDCO brass hand pump
 - Effective stream distance of up to 30 feet
 - Large 4" cap for easy refill
 - Industrial quick connects for quick fill or stowing the pump
 - Padded Shoulder straps with quick side release buckles and clip to hold the pump
 - Dual bag system - Nylon outer bag and vinyl inner bladder
 - Tool pocket
 - Easy 'No Tool' maintenance
- Wt: 5.2 lbs. (dry weight)



IN-FSV500 (SMOKECHASER)

- Rolls up to fit in small areas when not in use
 - 5 gallon capacity
 - FEDCO brass hand pump
 - Effective stream distance of up to 30 feet
 - Large 4" cap with debris filter for easy refill
 - Industrial quick connects for quick fill or stowing the pump
 - Military Spec Padded Shoulder straps and clip to hold the pump
 - Easy 'No Tool' maintenance
- Wt: 5.2 lbs. (dry weight)



26

888-663-4966



CSsupplyinc.com

27

Drip Torch

The best drip torch on the market

- Conforms to Forest Service Specifications (USDA FS 5100-614)
- Meets DOT regulations for transport of flammable fuel UN # 1B1-150
- Red body complies with new OSHA regulations 29 CFR 1910.114
- Heavy duty, light weight aluminum body
- Reversible burner for easy storage and transport
- Check valve to protect against flashback
- Breather valve
- Large diameter mouth for ease in filling
- Double bottom for extra durability

DT125

Height: 14" (closed), 25.5" (assembled)
 Diameter: 6"
 Weight: 4.6 lbs. (empty), 16 lbs. (full)
 Capacity: 1.25 U.S. Gallons
 Ship Wt: 6 lbs.



(Closed for transport)



(Assembled for use)

DT125-MB

- Steel mount to secure the DT-125 for transport
- Designed so the DT-125 Lifts out
- Bolt holes in the bottom to attach to the tail board, skid unit or other horizontal sturdy surface

Wt: 2.6 lbs. Ht: 8 7/16"



REPLACEMENT PARTS:

- DRT03 Tank cover
- DRT0506 Check valve ball and seat
- DRT07 Outlet screen
- DRT08 Discharge plug
- DRT11 Spout and fuel trap
- DRT14 Nozzle/igniter mount
- DRT15 Igniter
- DRT22 Tank collar gasket
- DRT23 Tank cover lock ring
- DRT35 Air breather valve
- DRT83 Chain assembly

DT125-QFMB

- Mount to secure the DT-125 for transport
- Designed so the DT-125 pulls straight out
- 3 Bolt/screw holes in the mount to attach in a compartment, on a skid unit or other vertical sturdy surface
- NOTE: When mounting the unit, a shelf or piece of angle iron needs to support the base of the torch

Wt: .8 lbs.



888-663-4966

28

High Viz™

Can you see me now?

All Forestry Products meet or exceed USDA FS 5100 Series Specification

WV1010-HIGH-VIZ

- 1" Fe. Swivel x (2) 1" M. outlets
- Powder coated High Visibility Yellow with Red ORALITE® Reflective Tape
- Front and rear seats for less friction loss
- Any combination of NST and NPSH

Wt: 3 lbs.



WV1510-HIGH-VIZ

- 1.5" Fe. Swivel x (2) 1" M. outlets
- Powder coated High Visibility Yellow with Red ORALITE® Reflective Tape
- Front and rear seats for less friction loss
- Any combination of NST and NPSH

Wt: 4 lbs.



WV15-HIGH-VIZ

- 1.5" Fe. Swivel x (2) 1.5" M. outlets
- Powder coated High Visibility Yellow with Red ORALITE® Reflective Tape
- Front and rear seats for less friction loss
- Any combination of NST and NPSH

Wt: 4 lbs.



TV1510-HIGH-VIZ

- The T-Valve is cast aluminum designed to help extend wildland fire fighting hose lays and to supply an additional 1" line for filling pump cans or mop-up
- Powder coated High Visibility Yellow with Red ORALITE® Reflective Tape
- The 1" outlet is controlled by an internal valve with a handle
- 1.5" Fe. x 1.5" M. x 1" M. Any combination of NST or NPSH (Specify Thread Combination)

Wt: 1 lb. Length: 5"



HC1510-HIGH-VIZ

- Powder coated High Visibility Yellow with Red ORALITE® Reflective Tape
- More rigid design with knuckle guard
- Curved clamping area and clasp design for easy, secure operation
- The wildland hose clamp is made of cast aluminum
- Designed for use on single jacket fire hose up to 1.75"
- It has a built-in spanner for use on fittings 2.5" and smaller

Wt: 1.8 lbs. Length: 10.75"



CSsupplyinc.com

29

WYE VALVES

Smooth pathway for less friction loss

All Forestry Products meet or exceed USDA FS 5100 Series Specification

WV1010

- 1" Fe. Swivel x (2) 1" M. outlets
- Front and rear seats for less friction loss
- Any combination of NST and NPSH

Wt: 3 lbs.



WV1510

- 1.5" Fe. Swivel x (2) 1" M. outlets
- Front and rear seats for less friction loss
- Any combination of NST and NPSH

Wt: 4 lbs.



WV15

- 1.5" Fe. Swivel x (2) 1.5" M. outlets
- Front and rear seats for less friction loss
- Any combination of NST and NPSH

Wt: 4 lbs.



WV2510

- 2.5" Fe. Swivel x (2) 1" M. outlets
- Front and rear seats for less friction loss
- 2.5" NST ONLY
- 1" outlets NST or NPSH
- Powder-coated red

Wt: 5 lbs.



WV2515

- 2.5" Fe. Swivel x (2) 1.5" M. outlets
- Front and rear seats for less friction loss
- 2.5" NST ONLY
- 1.5" outlets NST or NPSH
- Powder-coated red

Wt: 5 lbs.



WV2515-B (Brass)

- 2.5" Fe. Swivel x (2) 1.5" M. outlets
- NST only
- Powder-coated red
- CALL FOR AVAILABILITY

Wt: 7 lbs.



WV2525

- 2.5" Fe. Swivel x (2) 2.5" M. outlets
- NST only
- Powder-coated silver

Wt: 9 lbs.



BEHIND THE SCENES
 "PROUDLY MADE IN THE U.S.A."
 SCENE - FORGED IN FIRE...

Ask us about special size and thread combinations

888-663-4966

30

HYDRANT ACCESORIES

The standard in valves and innovative wrench design

HYDRANT GATE VALVE HGV25

- Designed with stainless steel non-rising internal stems
- The aluminum body, internal gate and the inlet/outlet fittings are hard anodized for maximum protection against corrosion
- The units take approximately 10 turns to open and close
- 2.5" Fe. Swivel and 2.5" M. outlet NST

Wt: 4 lbs. Ht: 11 1/2"



BRASS HYDRANT GATE VALVE HGV25-B

- They are designed with brass non-rising internal stems
- The units take 10 turns to open and close
- 2.5" Fe. Swivel and 2.5" M. outlet NST

Wt: 9 lbs. Ht: 11 1/2"



HYDRANT WRENCH HW733

- Fits hydrant stems BOTH 1" (square and pentagon) and 1.5" (pentagon)
- Will work on worn stems
- No more adjusting, just put the open end over the Hydrant stem and pull the handle, the harder you pull, the tighter the grip
- To release, just relax and lift it off the stem
- Will actually stay on the stem and not in the mud while you work
- The spanner end of the wrench is designed for use on 2 1/2" and larger fittings

Wt: 5 lbs. Length: 18"



CSsupplyinc.com

31

BRASS BALL VALVES/STRAINERS

Prevent rocks, sticks and other gunk from getting into suction hose line

BRASS FULL PORT VALVES

Heavy duty brass full port valves. Use to control or shutoff water, gas, oil or steam. Great for use on skid units and brush trucks.

- 600 W.O.G.
- Teflon Seals
- Full Port Chrome Plated Ball
- Adjusts Flow or Positive shutoff



BFPV38	3/8" x 3/8"	Wt: 0.3lbs.	BFPV125	1 1/4" x 1 1/4"	Wt: 1.6 lbs
BFPV50	1/2" x 1/2"	Wt: 0.5 lbs.	BFPV150	1 1/2" x 1 1/2"	Wt: 2.4 lbs.
BFPV75	3/4" x 3/4"	Wt: 0.7 lbs.	BFPV200	2" x 2"	Wt: 3.5 lbs.
BFPV100	1" x 1"	Wt: 1.1 lbs.	BFPV300	3" x 3"	Wt: 10.4 lbs.
			BFPV400	4" x 4"	Wt: 17.5 lbs.

BRASS FOOT VALVE

- Valve body is cast Brass
- Corrosion resistant, stainless steel screen, spring and lock nut

FV-B 1/2"	1/2"	Fe. NPT
FV-B 3/4"	3/4"	Fe. NPT
FV-B 1"	1"	Fe. NPT
FV-B 1 1/4"	1 1/4"	Fe. NPT
FV-B 1 1/2"	1 1/2"	Fe. NPT
FV-B 2"	2"	Fe. NPT
FV-B 3"	3"	Fe. NPT
FV-B 4"	4"	Fe. NPT



Stainless Steel Foot Valve Strainers

- All stainless steel construction
- Extremely durable & corrosion resistant

FV-SS 1"	1"	Fe. NPT
FV-SS 1 1/4"	1 1/4"	Fe. NPT
FV-SS 1 1/2"	1 1/2"	Fe. NPT



Plastic Foot Valve Strainers

- Non-corrosive Brady plastic construction
- Nose cone design reduces water turbulence

FV-P 3/4"	3/4"	Fe. NPT
FV-P 1"	1"	Fe. NPT
FV-P 1 1/4"	1 1/4"	Fe. NPT
FV-P 1 1/2"	1 1/2"	Fe. NPT



888-663-4966

ADAPTERS & REDUCERS



AD75GHT1NH
3/4" Fe. GHT X 1" M. NST
AD75GHT1NP
3/4" Fe. GHT X 1" M. GHT



AD1NH1NP
1" Fe. NST x 1" M. NPSH
AD1NP1NH
1" Fe. NPSH x 1" M. NST



AD1.5NH1NH
1.5" Fe. NST x 1" M. NST
AD1.5NH1NP
1.5" Fe. NST x 1" M. NPSH



AD2.5NH1.5NH
2.5" Fe. NST x 1.5" M. NST



ADBM15M
BS-336 65MM - BI M. x 1.5" M. NST
ADBM25M
BS-336 65MM - BI M. x 2.5" M. NST



ADS1.5M1.5NH
1.5" STORZ x 1 1/2" RIGID M. NST
ADS5M2.5NH
5" STORZ x 2.5" RIGID M. NST



AD1NH75GHT
1" Fe. NST x 3/4" M. GHT
AD1NP75GHT
1" Fe. NPSH x 3/4" M. GHT



AD1NH1.5NH
1" Fe. NST x 1.5" M. NST
AD1NP1.5NH
1" Fe. NPSH x 1.5" M. NST



AD1.5NH75GHT
1.5" Fe. NST x 3/4" M. GHT
AD1.5NP75GHT
1.5" Fe. NPSH x 3/4" M. GHT



ADMM1.5NH1.5NH
1.5" M. NST x 1.5" M. NST
ADMM2.5NH2.5NH
2.5" M. NST x 2.5" M. NST



ADFF1.5NH1.5NH
1.5" Fe. NST X 1.5" Fe. NST
ADFF2.5NH2.5NH
2.5" Fe. NST x 2.5" Fe. NST

Don't see the adapter you are looking for?
Call us for availability & pricing!!

CSsupplyinc.com

32

33

C&S REPAIR PARTS

Repair service and Repair kits

C&S Repair Service:

C&S Supply services all of the products we sell. Our hourly labor charge is nominal and it includes disassembling and diagnosing the problem, cleaning the nozzle, repairs as necessary, and reassembly. Every Nozzle is flow tested at the appropriate pressure, then each nozzle/valve pressure tested at 200-250 psi before it is returned. C&S Supply is the only authorized U.S. repair location of Viper nozzles. C&S Supply only warranties repairs made by C&S Supply.



HGV25 Parts:

- Z-1600**
 - Valve Body for HGV25
- Z-1601**
 - Gate for HGV25
- Z-1602**
 - Gate Guide for HGV25
- Z-1603**
 - 2.5" Swivel for HGV25
- Z-1604**
 - 2.5" Discharge Coupling for HGV25
- Z-1609**
 - "L" shaped handle for HGV25

Wye Valve Parts:

- WYE-RK2515**
 - Parts Commonly used in the repair of models WV2515, WV2510, WV15, WV1510, WV1010. balls, seats, seals, orings, handles, roll pins, set screws, bearings and Gaskets

- Z-1701_10**
 - VALVE BODY FOR WV1010
- Z-1701_15**
 - VALVE BODY FOR WV15 or WV1510
- Z-1702**
 - VALVE BODY FOR WV2515 or WV2510

WYE HANDLE

- For models WV15, WV1510, WV2515, WV2525 (with roll pin)
RIGHT and LEFT sides are now the same

Small Constant Flow and Dual Range Nozzle tip Parts:

- 1TIP-RK**
 - Most common parts for repairing 105/15, 115, 110/23, 130
- 15TIP-RK60**
 - Most common parts for repairing 1560, 1560/20,
- 15TIP-RK100**
 - Most common parts for repairing 15100, 1590/20

WATER BACKPACK REPAIR PARTS

Repair service and Repair kits

C&S Repair Service:

C&S Supply services all of the products we sell. Our hourly labor charge is nominal and it includes disassembling and diagnosing the problem, cleaning the nozzle, repairs as necessary, and reassembly. Every Nozzle is flow tested at the appropriate pressure, then each nozzle/valve pressure tested before it is returned. C&S Supply is the only authorized U.S. repair location of Viper nozzles. C&S Supply only warranties repairs made by C&S Supply.



INDIAN :

IN-FEDPUMP

- Item # 175764 FEDCO pump assembly w/ nozzle for IN-FER501, IN-FSV500, IN-DBD500, IN-SP500 water backpacks

IN-FEDPUMP-PG

- Item # 182373 FEDCO pump assembly w/pistol grip for IN-FER501, IN-FSV500, IN-DBD500, IN-SP500 water backpacks

IN-INPUMP

- Item # 175111 Indian 90G & 90S fire pump with nozzle

IN-RK-FEDCO

- Item # 182348 FEDCO parts kit

IN-RK-INDIAN

- Item # 182347 INDIAN Pump service kit



GENFO:

GENFO TIP

- Replacement Spray Tip for GENFO45 water backpack

GENFO45 BLADDER

- Replacement Pack without wand for GENFO45 water backpack

GENFO45-PRO BLADDER

- Replacement Pack without wand for GENFO45-PRO water backpack

GENFO HOSE WAND

- Replacement pump with hose for GENFO45 water backpack

GENFOQCKIT

- Quick connect adapters (Female male and hose clamp) for the GENFO45 water backpack
great for retrofitting older Genfos to quick connect

GENFO HARNESS

- Replacement Shoulder Straps and Clips for GENFO45

GENFO CLIP

- Replacement clip for GENFO45 harness

34

888-663-4966

CSsupplyinc.com

35

VIPER REPAIR

Repair service and Repair kits

C&S Repair Service:

C&S Supply services all of the products we sell. Our hourly labor charge is nominal and it includes disassembling and diagnosing the problem, cleaning the nozzle, repairs as necessary, and reassembly. Every Nozzle is flow tested at the appropriate pressure, then each nozzle/valve pressure tested at 200-250 psi before it is returned. C&S Supply is the only authorized U.S. repair location of Viper nozzles. C&S Supply only warranties repairs made by C&S Supply.



Viper Nozzle Repair Kits:

- Kits include all internal seals, shutoff ball, rubber bumper, pistol grip, shutoff handle, shutoff handle hardware, locator pin, swivel bearings, set pins, spinning teeth, and o-rings needed to repair a Viper nozzle.

See our Viper Valve repair Videos on You Tube

VNRK-1560

- Repair Kit for model SG1560

VNRK-3012

- Repair Kit for models SG3012 & SG7515

VNRK-9520

- Repair Kit for models SG9520 & SG12250

VNRK-BDS752

- Repair Kit for model BDS752

VNRK-BD3012

- Repair Kit for models BD3012 & BD7515

VNRK-1550

- Repair Kit for models CG1550 & FT1550

VNRK-2510

- Repair Kit for models CG2510, CG5016, FT2510 & FT5016

VNRK-8020

- Repair Kit for models CG8020, FT8020, & FT12250

VNRK-IND

- Repair Kit for models ST2510-PV & ST5016-PV

VNRK-IND2.5

- Repair Kit for models ST2510-PV & ST5016-PV



Viper Valve Repair Kits:

- Kits include: shutoff ball, seal, shutoff handle, shutoff handle hardware, swivel ball bearings, o-rings, and set pins.

VVRK-3012

- Repair Kit for Small VIPER shutoff Valves. Models ending in 1550, 1560, 2510, 3012, 5016, 7515 & 752

VVRK-9520

- Repair Kit for Large VIPER shutoff Valves. Models ending in 8020, 9520, & 12250



VIPER REPAIR

Common Valve Parts

Viper Handle Hardware:

- Kits include: ball locator, ball actuator, pan head cover and two O-rings.

V-HH5-3012

- Handle Hardware for Small VIPER shutoff Valves. Models ending in 1550, 1560, 2510, 3012, 5016, 7515 & 752

V-HH5-9520

- Handle Hardware for Large VIPER shutoff Valves. Models ending in 8020, 9520 & 12250



Ball and Seat Combos:

VBSC-3012

- Ball & Seat for Small VIPER shutoff Valves. Models ending in 1550, 1560, 2510, 3012, 5016, 7515 & 752

VBSC-9520

- Ball & Seat for Large VIPER shutoff Valves. Models ending in 8020, 9520 & 12250



Viper Pistol Grip:

V-PG15V

- Replacement Pistol Grip for ALL VIPER shutoffs

Viper Handles:

V-HANDLE-3012

- Replacement handle and attaching hardware for Small VIPER shutoff. Models ending in 1550, 1560, 2510, 3012, 5016, 7515 & 752

- NOTE: The above handle is now a kit. It was developed due to a handle design improvement in 2016

- Available in an assortment of colors: Red, Orange, Yellow, Green, Blue, and Black

V-HANDLE-9520

- Replacement handle only for Large VIPER shutoff. Models ending in 8020, 9520 & 12250

- NOTE: The above handle is now a kit. It was developed due to a handle design improvement in 2016

- Available in an assortment of colors: Red, Orange, Yellow, Green, Blue, and Black

V-HANDLE-M-3012

- Replacement handle only for Small VIPER shutoff. Models ending in 1550, 1560, 2510, 3012, 5016, 7515 & 752

- Compact And durable replacement option to the traditional composite

V-HANDLE-M-9520

- Replacement handle only for Large VIPER shutoff. Models ending in 8020, 9520 & 12250

- Compact And durable replacement option to the traditional composite



36

888-663-4966

CSsupplyinc.com

37

FLOW DATA

Select Gallonage

MODEL	NOZZLE PRES-SURE (psi)	NOZZLE FLOW (GPM)	STREAM SETTING	EFFECTIVE REACH
	75	13	SS	59
		26	SS	82
		43	SS	92
		52	SS	102
		15	SS	62
		30	SS	85
	100	50	SS	98
		60	SS	108
		17	SS	69
		34	SS	98
		56	SS	105
		67	SS	108
	75	26	SS	75
		52	SS	105
		82	SS	125
		108	SS	131
		30	SS	85
		60	SS	112
	100	95	SS	131
		125	SS	141
		34	SS	92
		67	SS	118
		106	SS	138
		140	SS	148
	75	65	SS	112
		87	SS	121
		108	SS	135
		130	SS	138
		75	SS	118
		100	SS	138
	100	125	SS	114
		150	SS	148
		84	SS	125
		112	SS	141
		140	SS	151
		168	SS	157
	75	82	SS	121
		108	SS	131
		130	SS	141
		173	SS	144
		95	SS	128
		125	SS	141
	100	150	SS	148
		200	SS	154
		106	SS	128
		140	SS	141
		168	SS	144
		224	SS	161
	75	94	SS	125
		113	SS	135
		150	SS	144
		188	SS	148
		125	SS	131
		150	SS	144
	100	200	SS	151
		250	SS	157
		140	SS	135
		168	SS	144
		224	SS	154
		280	SS	164

38

888-663-4966

CSsupplyinc.com

39

FLOW DATA

Constant Gallonage, Automatic Gallonage



CONSTANT GALLONAGE FLOW DATA

STYLE	NOZZLE PRES-SURE (psi)	NOZZLE FLOW (GPM)	STREAM SETTING	EFFECTIVE REACH
CG1550-30	75	26	SS	72
	100	30	SS	85
	150	37	SS	98
CG2510-95	75	82	SS	125
	100	95	SS	135
	150	116	SS	144
CG5016-125	75	108	SS	131
	100	125	SS	144
	150	153	SS	154
CG8020-200	75	182	SS	144
	100	210	SS	157
	150	257	SS	164



AUTOMATIC FLOW DATA

STYLE	NOZZLE PRES-SURE (psi)	NOZZLE FLOW (GPM)	STREAM SETTING	EFFECTIVE REACH
FT1550	75	15	SS	69
	100	23	SS	82
	150	50	SS	112
FT2510	75	25	SS	121
	100	38	SS	131
	150	100	SS	141
FT5016	75	50	SS	128
	100	70	SS	138
	150	160	SS	151
FT8020	75	80	SS	131
	100	145	SS	144
	150	200	SS	161
FT12250	50	125	SS	151
	100	200	SS	145
	150	250	SS	165

FLOW DATA

Low Pressure, Foam Equipment

LOW PRESSURE NOZZLES FLOW DATA

STYLE	NOZZLE PRES-SURE (psi)	NOZZLE FLOW (gpm)	STREAM SETTING	EFFECTIVE REACH
SG7515-LP	75	75	SS	115
		100	SS	125
		125	SS	131
		150	SS	138
		175	SS	141
SG9520-LP	75	95	SS	125
		125	SS	135
		150	SS	141
		200	SS	148
		110	SS	131
FT5016-LP	75	70	SS	131
		100	SS	141
		110	SS	141
FT8020-LP	75	200	SS	138
		265	SS	151
CG-5016-LP	75	125	SS	148
		144	SS	148
CG8020-LP	75	210	SS	151
		242	SS	157

FOAM NOZZLES FLOW DATA

STYLE	NOZZLE PRES-SURE (psi)	NOZZLE FLOW (gpm)	EXPANSION RATE	EFFECTIVE REACH
PVB1560	75	30	10:1	30
		35	10:1	36
PVB3012	75	60	12:1	39
		69	12:1	46
PVB7515	75	95	9:1	46
		110	9:1	56

FOAM PROPORTIONER FLOW DATA

STYLE	PRESSURE (psi)	FLOW (gpm)	PRESSURE LOSS	
			FOAM	By-PASS
BYPP1560	100	18	39%	7%
			39%	7%
BYPP3012	100	46	33%	14%
			33%	14%
BYPP7515	100	92	30%	15%
			30%	15%
BYPP9520	100	110	30%	15%
			30%	15%

CROSS REFERENCE CHART

C & S PRODUCTS	AKRON	ELKHART	TFT	PROTEK	POK	CRESTAR
CONSTANT FLOW						
1560						
1560	4717	N/A	N/A	N/A	12600	N/A
15100	N/A	N/A	ME1-STO*	814*	N/A	N/A
ST2510	4817	L-205-BA	ME1-STO*	814*	N/A	N/A
ST5016	4817	L-205-BA	ME1-STO*	N/A	N/A	N/A
DUAL RANGE NOZZLES						
11023	N/A	S-205-BAF	D1024*	N/A	17748	FN1030*
159020	N/A	L-205-BAF	F2060	N/A	N/A	17506
159020	N/A	L-205-BAF	F2095*	N/A	N/A	N/A
STRAIGHT BORE NOZZLES						
1STBR3/16	N/A	N/A	DSB*	N/A	17156	N/A
1STBR1/4	N/A	N/A	DSB*	N/A	17156	N/A
1STBR3/8	1410	N/A	DSB*	N/A	1546-S	SBT45
1STBR1/2	N/A	N/A	DSB*	N/A	1546	N/A
1STBR5/8	N/A	N/A	N/A	N/A	1612	N/A
1CAF3/34	N/A	N/A	N/A	N/A	1703	N/A
1CAF315/16	N/A	N/A	N/A	N/A	8335	N/A
STBR1-1/4	1417 or 1499	187A	FSS11	N/A	8947	SBT61250
STBR1-1/8	1417 or 1499	187A	FSS10	105	N/A	SBT61125
STBR1-1/16	N/A	N/A	N/A	N/A	N/A	N/A
STBR1	1417 or 1499	187A	FSS9	105	1536	SBT6100
STBR15/16	1417 or 1499	187A	FSS12	105	1537	N/A
STBR7/8	1417 or 1499	187A	FSS8	105	14234	SBT60875
STBR3/4	1417	187A	FSS7	105	1704	N/A
STBR1/2	1417	187A	FSS5	105	1566	N/A
STT1	1420	ST-190-BA	FS-3STACK	115	8911	ST312
NOZZLE & SHUTOFF COMBO						
SBV10SSPG-110/23	N/A	N/A	DS1024P*	N/A	N/A	N/A
SBV15SSPG-1560/20	N/A	N/A	FS2060P*	N/A	N/A	N/A
SBV15SSPG-1590/20	N/A	N/A	FS2095P*	N/A	N/A	N/A
BALL SHUT OFF'S						
SBV10R	N/A	SB-275A-R	D75DR	N/A	N/A	N/A
SBV10SS-OR	2101	SB-275A	D75D	N/A	9981	BS10*
SBV10SSPG-OR	2102	SB-275GA	D75DP	100	9982	BS10
SBV15R	N/A	N/A	N/A	N/A	N/A	N/A
SBV15SS-OR	2115	LB-275A	F100F	N/A	9983	BS15*
SBV15SSPG-OR	2116	LB-275GA	F100FP	101	9984	BS15
SBV25SS	2130 or 1828	JB-275 or B-96A	J140J	595	984	CHVY
WYE VALVES						
WV1010	N/A	B-100-SAF	ALYND-ND	505	90060	FWNL1000
WV15	2580	B-100-LA	ALYNF-NF	506	16015	FWNL1500
WV1510	2580	B-100-SAF	ALYNF-ND	506*	16014	FWNL1510
WV2515	2581	B-100A	ALYNF-NF	520	9896	LWNL
WV2515-B	2581	B-100	N/A	520-BC	17030	N/A
WV2525	1582	B-97A	N/A	541	2772	HWNL
PLAIN WYE						
W15	N/A	1A	N/A	N/A	9911	N/A
W2515	N/A	1A	N/A	587*	9912	N/A
HYDRANT GATE VALVES						
HGV25	2285	X 86A	ACSANJ-NJ	596	12782	CHGV
HGV25-B	285	X 86	ACSBNJ-NJ	N/A	12784	N/A
T-VALVE						
TV1510	N/A	N/A	ATNF/NF-ND	N/A	17548	N/A

* DENOTES SIMILAR BUT NOT EQUIVALENT MODEL

CSsupplyinc.com

40

888-663-4966

41

SMALL VIPER VALVES

Part numbers ending in: 10SS, 15SS, 1530, 1550, 1560, 2510, 3012, 3015, 5016, 550, 540, 7515

CROSS REFERENCE CHART VIPER MODELS

C & S PRODUCTS	AKRON	ELKHART	TFT	PROTEK	POK	CRESTAR
Select Gallonage Nozzles						
SG1560	1702	PSFS-HPG	DQ540P*	360	2311*	SF 40*
TIP	1703	TPSFS-HP	DQ40*	N/A	13133	N/A
SG3012	1720	SFL-OG	FQS125P*	366	8370	SF 125
TIP	1714	TSFL	FQ125	366-TO	8370T	SF 125 TIP ONLY
SG3012-BA	1718	STSP-L	FQ125T	366-BA	N/A	N/A
SG7515	N/A	N/A	FTS200P*	N/A	N/A	N/A
TIP	N/A	N/A	FTS200S*	N/A	N/A	N/A
SG9520	1723	SFM-G	FTS200P*	367	10648	SF 200
TIP	1737	STFM	FTS200S*	367-TO	9974	SF 200 TIP ONLY
SG12250	1733	SF-G	FTS200P*	368*	9724	SF250*
TIP	1744	TSF	FTS200S*	368-TO*	8346	SF 250 TIP ONLY*
LOW PRESSURE						
SG3012-LP	1720-75psi	N/A	FQ125PL*	366*	N/A	SF125LP-75
SG7515-LP	N/A	N/A	FTS200PL*	N/A	N/A	N/A
SG9520-LP	1723-75psi	N/A	FTS250PL*	367*	N/A	SF 200LP-75
TIP	1737-75psi	N/A	FT250L*	367-TO*	N/A	SF 200LP-75 TIP ONLY
SG12250-LP	1733-75psi	N/A	FTS250PL*	368*	N/A	SF 250LP-75*
TIP	1744-75psi	N/A	FT250L*	368-TO*	N/A	SF 250LP-75 TIP ONLY*
AUTOMATIC NOZZLES						
FT1550	N/A	SM-3FG	B-BGH*	310*	2317	AF 125*
TIP	N/A	TSM-3F	N/A	N/A	9970	N/A
FT2510	N/A	SM-10FG*	BGH-125*	310*	7674*	AF 125*
TIP	N/A	TSM-10F*	BTO-125*	N/A	9947*	N/A
FT5016	N/A	SM-10FG	N/A	311*	7674	AF 125*
TIP	N/A	TSM-10F	N/A	N/A	9947	N/A
FT5016-LP	N/A	N/A	N/A	N/A	N/A	AF 125LP-75*
FT8020	N/A	SM-20FG	HM-VPGI*	323	83977*	AF 200
FT8020-LP	N/A	N/A	HML-VPGI*	N/A	N/A	AF 200LP-75
FT12250	N/A	DSM-30FG*	H-2VPGI	324*	83977*	AF 200*
CONSTANT GALLONAGE						
CG1550	4802*	4000-03	N/A	371	3570	CF 23
CG2510	4820	4000-13	ME1-VPGI	372	3568	CF 95
TIP	4814	4000-14	ME1-TO	372-TO	9978	CF 95
CG5016	4820	4000-13	ME1-VPGI	372	3567	CF 95
TIP	4814	4000-14	ME1-TO	372-TO	9979	N/A
CG8020	4820	N/A	ME1-VPGI	373	N/A	CF 200
TIP	4814	N/A	ME1-TO	373-TO	N/A	CF 200 TIP ONLY
CG8020 5"	4823	N/A	ME2-2VPGI	374	N/A	CF 250
CG5016-LP	4820-75psi	4000-14-LP	ME1-VPGI	N/A	8929	CF 95LP-75 or 50
BALL SHUTOFFS						
SBV10SS	2101	SB-275A	D75D	100*	9981	BS10*
VB1560	2102	SB-275-GA	D75DP	100	9982	BS10*
SBV15SS	2115	LB-275A	F100F	100*	9983	BS15*
VB3012	2116	LB-275-GA	F100FP	101	9984	BS15
VB9520NPG	2129	B-275-A	F140F	102*	9985	BS2515*
VB9520	2127	B-275-GA	F140FP	102	9990	BS2515
VB9520NPG-2.5"	2125	DB-275-A	J140F	102*	9986	BS2525*
VB9020-2.5"	2126	DB-275-GA	J140FP	102	9987	BS2525

* DENOTES SIMILAR BUT NOT EQUIVALENT MODEL

REFERENCE	PART NAME	PART #	QUANTITY
1	1" GASKET	GASKET 1	1
1a	1.5" GASKET	GASKET 15	1
2	1" SWIVEL	V-1" SWIVEL	1
2a	1.5" SWIVEL	V-1.5" SWIVEL	1
3	SWIVEL O-RING	V-ORING-SW-3012	1
4	BALL	V-BALL-3012	1
5	PISTOL GRIP	V-PG15V	1
6	BALL LOCATOR (2 PIECES)	V-BALLLOC-3012	1
7			
8	PISTOL GRIP SET PIN	V-SETPIN-3012	1
9	VALVE BODY	VLVBVY-3012	1
10			
11	SEAT RETAINER (3 PIECES)	V-SEATRNR-3012	1
12			
13	BALL ACUATOR (2 PIECES)	V-BALLACT-3012	1
14			
15	PAN HEAD COVER	V-PANHEAD-3012	1
16	SWIVEL SET PIN	V-SETPIN-3012	1
17	BALL BEARINGS	V-BEARINGS-3012	32
18	HANDLE (BALL)	V-HANDLE-3012	1

- SHUTOFF USE:**
- Open and close the valve slowly to reduce risk of water hammer.
 - Pull the bail handle toward the swivel to OPEN the valve.
 - Push the bail handle toward the tip of the nozzle to CLOSE the valve.
 - Maximum Operating Pressure for VIPER Valves is 380 psi

- Maintenance:**
- Test nozzle before putting into service.
 - Clean nozzle by flushing with water after use.
 - Use non-detergent soap to clean dirt from the exterior to reduce wear.
 - Regularly check the bail handle screws that they are tight. If taken out use medium strength thread locker on the threads before reassembly.
 - Periodically service your nozzle or have your fire equipment dealer service it.
 - Normally serviced parts are the: Ball, Seat assembly, and the handle hardware (Ball locator screw, Actuator, Pan head cover).

KIT#	KIT Name	PARTS CONTAINED
VVRK-3012	Valve Repair Kit Small	1,1a,3,4,6,7,10,11,12,13,14,15,16,17,18
VBSC-3012	Ball & Seat Combo Small	4,10,11,12
V-HHS-3012	Handle Hardware Small	6,7,13,14,15
V-SWKIT1560	Swivel Kit 1.5" Small	1,3,16,17
V-SWKIT3012	Swivel Kit 1.5" Small	1a,3,16,17

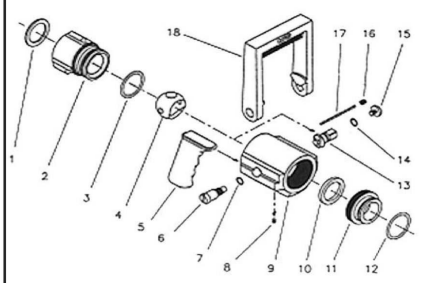
⚠ DANGER

PLEASE BE RESPONSIBLE! PLEASE BE CAREFUL!

THE USER OF THIS EQUIPMENT IS PERSONALLY RESPONSIBLE FOR THE FOLLOWING:

1. You need to know and understand that Fire-fighting and Emergency response is dangerous and proper training is needed.
2. You need to be physically fit and skillful in the use of any equipment that you may need to use.
3. You need to know that your equipment is in proper working order.
4. You need to know carelessness or negligence may result in injury or death.

PLEASE BE RESPONSIBLE! PLEASE BE CAREFUL!



42

888-663-4966

CSsupplyinc.com

43

LARGE VIPER VALVES

Part numbers ending in: 8020, 9520, 12250



REFERENCE	PART NAME	PART #	QUANTITY
1	1.5" GASKET	GASKET 15	1
1a	2.5" GASKET	GASKET 25	1
2	1.5" SWIVEL (LARGE)	V-1.5" SWIVEL-9520	1
2a	2.5" SWIVEL	V-2.5" SWIVEL-9520	1
3	SWIVEL O-RING	V-ORING-SW-9520	1
4	BALL	V-BALL-9520	1
5	PISTOL GRIP	V-PG15V	1
6	BALL LOCATOR (2 PIECES)	V-BALLLOC-9520	1
7	PISTOL GRIP SET PIN	V-SETPIN-PG	1
8	VALVE BODY	VLVBDY-9520	1
10	SEAT RETAINER (3 PIECES)	V-SEATRTRN-9520	1
11			
12			
13	BALL ACTUATOR (2 PIECES)	V-BALLACT-9520	1
14			
15	PAN HEAD COVER	V-PANHEAD-9520	1
16	SWIVEL SET PIN	V-SETPIN-9520	1
17	BALL BEARINGS	V-BEARINGS-9520	32
18	HANDLE (BALL)	V-HANDLE-9520	1

KIT#	KIT Name	PARTS CONTAINED
VVRK-9520 (*)	Valve Repair Kit Lg.	1,1a,3,4,6,7,10,11,12,13,14,15,16,17,18
VBSC-9520	Ball & Seat Combo Lg.	4,10,11,12
V-HHS-9520	Handle Hardware Lg.	6,7,13,14,15
V-SWKIT9520	Swivel Kit 1" Lg.	1,3,16,17
V-SWKIT9520-2.5	Swivel Kit 1.5" Lg.	1a,3,16,17

SHUTOFF USE:
 - Open and close the valve slowly to reduce risk of water hammer.
 - Pull the ball handle toward the swivel to OPEN the valve.
 - Push the ball handle toward the tip of the nozzle to CLOSE the valve.
 - Maximum Operating Pressure for VIPER Valves is 580 psi

Maintenance:
 - Test nozzle before putting into service.
 - Clean nozzle by flushing with water after use.
 - Use non-detergent soap to clean dirt from the exterior to reduce wear.
 - Regularly check the ball handle screws that they are tight. If taken out use medium strength thread locker on the threads before reassembly.
 - Periodically service your nozzle or have your fire equipment dealer service it.
 - Normally serviced parts are the: Ball, Seat assembly, and the handle hardware (Ball locator screw, Actuator, Pan head cover).

Nozzle Selling Basic Line of Questioning (page 1 of 2)

PRICE LIST (P.L.) WILL LIST ALL PRODUCTS AND CATALOG (CAT.) PAGES THE P.L. CAN BE A GREAT REFERENCE TOOL ...

What size inlet (hose coupling) are you looking for?
 3/4", 1", 1-1/2" (1-3/4"), or 2-1/2" *Note: 1-1/2" and 1-3/4" couplers are the same.

What threads do you use?
 National Standard Hose (NST, NH) or
 National pipe straight hose (NPSH, IPT, NPT)

What type of nozzle would you like?
 Select Gallonage, Constant Gallonage, Automatic, Foam, Smoothbore, or Small "BREAK-APART"

If: Select Gallonage, What Flow rate and at what PSI (CAT. PAGES 4-7) (P.L. Page 1,2)

Constant Gallonage, What Flow rate and at what PSI (CAT. PAGES 8, 9) (P.L. Page 3)

Automatic, What Flow rate or range and at what PSI (CAT. PAGES 10-11) (P.L. Page 3)

Foam, What Flow rate (CAT. PAGES 14,15 & 23) (P.L. Page 4)

Smoothbore Nozzle Tip, what orifice size or flow rate? Please note which valve, VB model, should go with each smoothbore tip (CAT. PAGES 18, 19 & 22) (P.L. Page 6)

SMOOTH BORE THEORETICAL FLOW DATA/ GPM

PSI	3/16"	1/4"	3/8"	1/2"	5/8"	3/4"	7/8"	15/16"	1"	1 1/16"	1 1/8"	1 1/4"
40	6.5	11	27	48	73	107	143	166	189	212	239	295
50	7.5	13	31	54	82	119	160	186	211	237	267	329
60	8	14	32	57	89	129	176	202	230	259	291	359
80	9.3	16.6	37	66	103	149	203	233	265	299	336	415
100	10	18	43	75	116	168	227	262	298	335	377	465

VB1560 VB1560 VB1560 VB1560 VB1560 VB1560 (CAPS) VB1560 (CAPS)
 WORKS BEST WITH: VB3012 VB3012 VB3012
 VB9520 VB9520 VB9520 VB9520 VB9520 VB9520 VB9520 VB9520 VB9520
 VB9520-2.5 VB9520-2.5 VB9520-2.5 VB9520-2.5 VB9520-2.5 VB9520-2.5 VB9520-2.5 VB9520-2.5 VB9520-2.5

OR

Small "BREAK-APART", continue to instructions on next page

MOST OF THESE PRODUCTS ARE ON PAGES 5 OF THE PRICE LIST
 SMOOTH BORES ARE ON PAGE 6

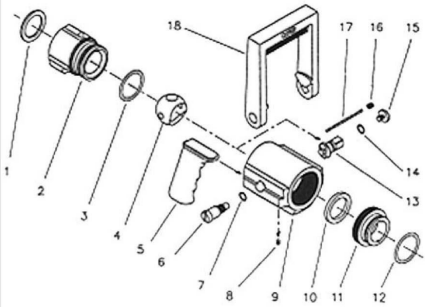
⚠ DANGER

PLEASE BE RESPONSIBLE!
PLEASE BE CAREFUL!

THE USER OF THIS EQUIPMENT IS PERSONALLY RESPONSIBLE FOR THE FOLLOWING:

- You need to know and understand that Fire-fighting and Emergency response is dangerous and proper training is needed.
- You need to be physically fit and skillful in the use of any equipment that you may need to use.
- You need to know that your equipment is in proper working order.
- You need to know carelessness or negligence may result in injury or death.

PLEASE BE RESPONSIBLE!
PLEASE BE CAREFUL!



44

888-663-4966

45



Nozzle Selling Basic Line of Questioning (page 2 of 2)

Does customer want a Ball shutoff or build a 'Break-Apart' nozzle

Step 1 BALL SHUTOFF

What size inlet are they looking for?		(CAT. PAGES 19-21)	(P.L. Page 5)
1" (w/ 1" waterway)	1.5" (w/ 1 1/2" waterway)	1.5" (1.75") (w/ 1 3/8" waterway)	2.5" with 1.5" outlet (w/ 1 3/8" waterway)
SBV10SS	SBV15SS	VB9520NPG	VB9520NPG-2.5
VB1560	VB3012	VB9520	VB9520-2.5

What threads do you use?
 National Standard Hose (NST, NH) or
 National pipe straight hose (NPSH, IPT, NPT)

Step 2 NOZZLE TIP

For break apart or inexpensive nozzles, a nozzle tip can be added to a ball shutoff.

What Type of nozzle is preferred?		
Dual Range Nozzle	(CAT. PAGE 17)	(P.L. Page 5)
Constant flow Nozzle	(CAT. PAGE 17)	(P.L. Page 5)
Smoothbore Nozzle	(CAT. PAGE 18)	(P.L. Page 6)

What GPM do they want? (For smoothbore sizes see the chart on page 44)

MOST OF THESE PRODUCTS ARE ON PAGE 5 OF THE PRICE LIST.

HOSE COILERS:

- What size hose are they going to roll?
MC40 rolls 1" & 1.5" hose
- MC65** rolls 1.5" to 3" hose (this roller can also roll 1" hose with some guidance from the operator)
- *** One mounting bracket (MB) is included with the MC40 and MC65
- THMB** trailer hitch mounting bracket is the most popular accessory for these mounts
- MC80** rolls 4" -7" hose
- ***One each Tailboard Mount and Trailer Hitch Mount are included with each unit.

Extra mounting brackets can be ordered separately (CAT. PAGE 25) (P.L. Page 7)

TEL: 888-663-4966 sales@cssupplyinc.com FAX: 970-663-3878

46

888-663-4966

47