

**Fyrelane USA** is a Hydra Shield brand that was introduced in October of 2015. The Fyrelane USA brand was launched to gain more growth in the fire industry and become an industry leader for adapters, valves and accessories. We are a family owned and operated company and our products are manufactured and assembled in Texas allowing us to deliver you the quality products and spectacular service you deserve. Our mission is to develop, manufacturer and introduce products into the market that will save lives and protect property. If you would like to find out more information about Fyrelane USA, please feel free to contact one of our representatives by calling 1-855-359-9555.





*YOUR FASTLANE TO FIRE PRODUCTS*

# Accessories

## Wrenches

STOCK NUMBER	DESCRIPTION	U/M	INV TYPE	LIST PRICE
ADPT-BC-WRENCH	Storz & Blind Cap Wrench	EA	Stock	\$38.62
ADPT-WRCH-HYD	Hydrant Wrench	EA	Stock	\$44.94



## Blind Caps - 4"

ADPT-4.0ST-BC	4" Storz Blind Cap (Aluminum)	EA	Stock	\$98.33
---------------	-------------------------------	----	-------	---------



## Blind Caps - 5"

ADPT-5.0ST-BC	5" Storz Blind Cap (Aluminum)	EA	Stock	\$93.03
ADPT-5.0ST-BC-ORANGE	5" Storz Blind Cap Orange (Aluminum)	EA	Stock	\$102.75



## Road Marker Accessories

STRT-MKR-BUTYL-PAD	Indv. Adhesive Pads for Markers	EA	Stock	\$2.62
STRT-MKR-EPOXY	2 Gal Epoxy Kit 1 Pt Resin/ 1 Part Hard	EA	Stock	\$370.56
STRT-MKR-EPOXY-GUN	Epoxy Dis gun for Tubes	EA	Stock	\$549.78
STRT-MKR-EPOXY-TUBE	Epoxy Tubes (Up to 15 Road Markers)	EA	Stock	\$117.60

## Road Markers

STRT-MKR-BLUE-REF-CS	Dot Aprv Blue Hydran Ref St.mk (50 pcs)	Case	Stock	\$220.50
----------------------	---	------	-------	----------

## Road Markers With Butyl Pad Combo

STRT-MKR-BLUE-REF-W/PAD-CS	Dot Aprv Hydr Blue Maker W/Pad (45 pcs)	Case	Stock	\$272.70
----------------------------	---	------	-------	----------

Note: Road Markers must be purchased in case quantities.

# 30° Aluminum Adapters

Our specialty adapters are Aluminum Adapters made of a T-6 Grade Aluminum Forged Extrusion with Fyrelane USA. strict Specifications.

We also feature a 30 Degree Aluminum Adapters which is designed to give your hose the proper angle to allow for a kink free connection. Rocker lug swivel allows for a quicker connection.

Our specialty adapters are designed to offer you a quality product that meets your requirements.



## 4" Storz Adapters (Straight & 30 Degree)

STOCK NUMBER	DESCRIPTION	U/M	INV TYPE	LIST PRICE
ADPT-4.0ST-4.0FPT	4" Storz x 4" Female Pipe Thread	EA	Non Stock	\$273.04
ADPT-4.0ST-4.0FPT-30DEG	4" Storz x 4" Female Pipe Thd. 30 Deg.	EA	Non Stock	\$288.92

## 5" Storz Adapters (Straight & 30 Degree)

ADPT-5.0ST-2.5MNH	5" Storz x 2.5" Male NH Adapter	EA	Stock	\$187.20
ADPT-5.0ST-4.0FPT	5" Storz x 4" Female Pipe Thread	EA	Stock	\$272.31
ADPT-5.0ST-4.0FPT-30DEG	5" Storz x 4" Female Pipe Thed.30 Deg.	EA	Stock	\$291.47
ADPT-5.0ST-6.0FPT	5" Storz x 6" Female Pipe Thread	EA	Stock	\$309.53
ADPT-5.0ST-6.0FPT-30DEG	5" Storz x 6" Female PipeThed.30 Deg.	EA	Stock	\$325.21

## Aluminum Fire Department Connection Round Signs (Aluminum Red/White Painted)

ADPT-FDC-4.0-ALP	FDC Aluminum Plate, Red (ID 4-5/8", OD 9-3/4")	EA	Stock	\$30.35
------------------	---	----	-------	---------



Note: Non Stock Items May take up to 6-8 weeks to complete depending on quantity.

# Storz Adapters

## 4" Storz – Open Bore

STOCK NUMBER	DESCRIPTION	U/M	INV TYPE	LIST PRICE
HYST-4.0-4.0NH-OB	4" STORZ X 4" NH THD. OPEN BORE	EA	Stock	\$151.95
HYST-4.0-4.5NH-OB	4" STORZ X 4.5" NH THD. OPEN BORE	EA	Stock	\$151.95
HYST-4.0-4.0NH-OBSET	4" STORZ X 4" NH THD. OB, W/CAP	EA	Stock	\$239.21
HYST-4.0-4.5NH-OBSET	4" STORZ X 4.5" NH THD. OB, W/CAP	EA	Stock	\$239.21



## 5" Storz – Open Bore

HYST-5.0-4.0NH-OB	5" STORZ X 4" NH THD. OPEN BORE	EA	Stock	\$140.91
HYST-5.0-4.5NH-OB	5" STORZ X 4.5" NH THD. OPEN BORE	EA	Stock	\$140.91
HYST-5.0-4.0NH-OBSET	5" STORZ X 4" NH THD. OB, W/CAP	EA	Stock	\$196.22
HYST-5.0-4.5NH-OBSET	5" STORZ X 4.5" NH THD. OB, W/CAP	EA	Stock	\$196.22



## 4" Hydra Storz

HYST-4.0-4.0NH	4" STORZ X 4" NH THD. W/FLAPS	EA	Stock	\$199.68
HYST-4.0-4.5NH	4" STORZ X 4.5" NH THD. W/FLAPS	EA	Stock	\$199.68



## 5" Hydra Storz

HYST-5.0-4.0NH	5" STORZ X 4" NH THD. W/FLAPS	EA	Stock	\$196.33
HYST-5.0-4.5NH	5" STORZ X 4.5" NH THD. W/FLAPS	EA	Stock	\$196.33



## Custom Threaded Storz\*

HYST-4.0-CUSTTHD	4" Storz x Custom Thread	EA	Non Stock	\$260.26
HYST-5.0-CUSTTHD	5" Storz x Custom Thread	EA	Non Stock	\$260.26

\*Note: For custom threaded storz you may be require to purchase a minimum of 50 pieces.



Fyrelane USA has a quality storz adapter for your fire department needs. Our storz adapter is a quick-connecting system that lets you hook up to a hydrant without removing caps, un-jamming chains or worrying about cross threading. Access is restricted to authorized personnel if you use our storz adapter with out the blind cap. (Note: Caps are needed if you are using the other 2.5" nst Ports.)

Our Hydra Storz adapter is cold pressed forged made of 6061 Aluminum, heat treated to T-6 with 316 stainless steel butterfly vanes, which opens the storz adapter when water pressure is applied. The Coating on the Hydra-Storz adapter is a MIL-A-8625 Type III anodize. The outer part is hard coat anodized class two (2)

with a black color dye additive, while the inner part is a hard coated anodized class one (1) without the color additive process. This coating provides a more durable product finish to help against harsh environments. The benefits of hard coat anodized aluminum would be as follows, corrosion resistance, improved lubrication, increase wear resistance, increase abrasion resistance & non-contaminating.

This configuration makes our storz adapter connectors tamper resistant, reduces maintenance costs and is perfect for mutual aid by standardizing the connection to a 4" or 5" base. Our Storz connectors can be installed quickly and easily. A whole system can be converted for a fraction of the cost of conventional storz fittings.

# Pre-Con Intake Valve (PC3 Model)

The Pre-con 3 is a suction inlet valve that was designed to operate as an automatic flow control valve, which eliminates the need for manual adjustments in relation to water flow. The Pre-con 3 is the choice of fire departments involved in drafting operations because of the automatic check valve action. When the suction hose is primed and water is retained when flow is stopped or switched to booster tank operations. The compact design keeps pipe extension to a minimum and no remote valve controls are needed. The PC 3 is suited for both front and rear suction inlets.

Note: Pre-con automatic inlet valves are Patented. Pre-con valves are suction inlet valves designed to operate as automatic flow control valves. This eliminated the need for manual adjustments in relation to water flow.



## Fire Truck Valves - 4" Valve Size

STOCK NUMBER	DESCRIPTION	U/M	INV TYPE	LIST PRICE
PC3-4.0FS-4.0M	Pre-Con Valve 4" NH Female Swivel x 4" NH Male	EA	Non Stock	\$1,823.95
PC3-4.0FS-4.5M	Pre-Con Valve 4" NH Female Swivel x 4.5" NH Male	EA	Non Stock	\$1,823.95
PC3-4.0FS-5.0M	Pre-Con Valve 4" NH Female Swivel x 5" NH Male	EA	Non Stock	\$1,823.95
PC3-4.0FS-6.0M	Pre-Con Valve 4" NH Female Swivel x 6" NH Male	EA	Non Stock	\$1,823.95
PC3-4.0FS-4.0ST	Pre-Con Valve 4" NH Female Swivel x 4" Storz	EA	Non Stock	\$2,336.56
PC3-4.0FS-5.0ST	Pre-Con Valve 4" NH Female Swivel x 5" Storz	EA	Non Stock	\$2,292.59

## Fire Truck Valves - 4.5" Valve Size

PC3-4.5FS-4.0M	Pre-Con Valve 4.5" NH Female Swivel x 4" NH Male	EA	Non Stock	\$1,876.80
PC3-4.5FS-4.5M	Pre-Con Valve 4.5" NH Female Swivel x 4.5" NH Male	EA	Stock	\$1,876.80
PC3-4.5FS-5.0M	Pre-Con Valve 4.5" NH Female Swivel x 5" NH Male	EA	Stock	\$1,876.80
PC3-4.5FS-6.0M	Pre-Con Valve 4.5" NH Female Swivel x 6" NH Male	EA	Stock	\$1,876.80
PC3-4.5FS-4.0ST	Pre-Con Valve 4.5" NH Female Swivel x 4" Storz	EA	Stock	\$2,163.95
PC3-4.5FS-5.0ST	Pre-Con Valve 4.5" NH Female Swivel x 5" Storz	EA	Stock	\$2,148.38

## Fire Truck Valves - 5" Valve Size

PC3-5.0FS-4.0M	Pre-Con Valve 5" NH Female Swivel x 4" NH Male	EA	Non Stock	\$1,871.89
PC3-5.0FS-4.5M	Pre-Con Valve 5" NH Female Swivel x 4.5" NH Male	EA	Stock	\$1,871.89
PC3-5.0FS-5.0M	Pre-Con Valve 5" NH Female Swivel x 5" NH Male	EA	Stock	\$1,871.89
PC3-5.0FS-6.0M	Pre-Con Valve 5" NH Female Swivel x 6" NH Male	EA	Stock	\$1,871.89
PC3-5.0FS-4.0ST	Pre-Con Valve 5" NH Female Swivel x 4" Storz	EA	Stock	\$2,170.84
PC3-5.0FS-5.0ST	Pre-Con Valve 5" NH Female Swivel x 5" Storz	EA	Stock	\$2,153.08

## Fire Truck Valves - 6" Valve Size

PC3-6.0FS-4.0M	Pre-Con Valve 6" NH Female Swivel x 4" NH Male	EA	Non Stock	\$1,853.34
PC3-6.0FS-4.5M	Pre-Con Valve 6" NH Female Swivel x 4.5" NH Male	EA	Stock	\$1,853.34
PC3-6.0FS-5.0M	Pre-Con Valve 6" NH Female Swivel x 5" NH Male	EA	Stock	\$1,853.34
PC3-6.0FS-6.0M	Pre-Con Valve 6" NH Female Swivel x 6" NH Male	EA	Stock	\$1,853.34
PC3-6.0FS-4.0ST	Pre-Con Valve 6" NH Female Swivel x 4" Storz	EA	Stock	\$2,152.02
PC3-6.0FS-5.0ST	Pre-Con Valve 6" NH Female Swivel x 5" Storz	EA	Stock	\$2,124.92

# Pre-Con Intake Valve (PC30 Model)

## Fire Truck Valves - 4" Valve Size

STOCK NUMBER	DESCRIPTION	U/M	INVTYPE	LIST PRICE
PC30-4.0FS-4.0M	Pre-Con Valve 4" NH Female Swivel x 4" NH Male	EA	Non Stock	\$2,229.15
PC30-4.0FS-4.5M	Pre-Con Valve 4" N HFemale Swivel x 4.5"NH Male	EA	Non Stock	\$2,229.15
PC30-4.0FS-5.0M	Pre-Con Valve 4" NH Female Swivel x 5" NH Male	EA	Non Stock	\$2,229.15
PC30-4.0FS-6.0M	Pre-Con Valve 4" NH Female Swivel x 6" NH Male	EA	Non Stock	\$2,229.15
PC30-4.0FS-4.0ST	Pre-Con Valve 4" NH Female Swivel x 4" Storz	EA	Non Stock	\$2,532.47
PC30-4.0FS-5.0ST	Pre-Con Valve 4" NH Female Swivel x 5" Storz	EA	Non Stock	\$2,496.03

## Fire Truck Valves - 4.5" Valve Size

PC30-4.5FS-4.0M	Pre-Con Valve 4.5" NH Female Swivel x 4" NH Male	EA	Non Stock	\$2,268.61
PC30-4.5FS-4.5M	Pre-Con Valve 4.5"NH Female Swivel x 4.5"NHMale	EA	Stock	\$2,268.61
PC30-4.5FS-5.0M	Pre-Con Valve 4.5" NH Female Swivel x 5" NH Male	EA	Stock	\$2,268.61
PC30-4.5FS-6.0M	Pre-Con Valve 4.5" NH Female Swivel x 6" NH Male	EA	Stock	\$2,268.61
PC30-4.5FS-4.0ST	Pre-Con Valve 4.5" NH Female Swivel x 4" Storz	EA	Stock	\$2,559.06
PC30-4.5FS-5.0ST	Pre-Con Valve 4.5" NH Female Swivel x 5" Storz	EA	Stock	\$2,551.24

## Fire Truck Valves - 5" Valve Size

PC30-5.0FS-4.0M	Pre-Con Valve 5" NH Female Swivel x 4" NH Male	EA	Non Stock	\$2,391.97
PC30-5.0FS-4.5M	Pre-Con Valve 5" NH Female Swivel x 4.5" NHMale	EA	Stock	\$2,391.97
PC30-5.0FS-5.0M	Pre-Con Valve 5" NH Female Swivel x 5" NH Male	EA	Stock	\$2,391.97
PC30-5.0FS-6.0M	Pre-Con Valve 5" NH Female Swivel x 6" NH Male	EA	Stock	\$2,391.97
PC30-5.0FS-4.0ST	Pre-Con Valve 5" NH Female Swivel x 4" Storz	EA	Stock	\$2,602.12
PC30-5.0FS-5.0ST	Pre-Con Valve 5" NH Female Swivel x 5" Storz	EA	Stock	\$2,569.16

## Fire Truck Valves - 6" Valve Size

PC30-6.0FS-4.0M	Pre-Con Valve 6" NH Female Swivel x 4" NH Male	EA	Non Stock	\$2,258.01
PC30-6.0FS-4.5M	Pre-Con Valve 6" NHFemale Swivel x 4.5" NH Male	EA	Stock	\$2,258.01
PC30-6.0FS-5.0M	Pre-Con Valve 6" NH Female Swivel x 5" NH Male	EA	Stock	\$2,258.01
PC30-6.0FS-6.0M	Pre-Con Valve 6" NH Female Swivel x 6" NH Male	EA	Stock	\$2,258.01
PC30-6.0FS-4.0ST	Pre-Con Valve 6" NH Female Swivel x 4" Storz	EA	Stock	\$2,592.07
PC30-6.0FS-5.0ST	Pre-Con Valve 6" NH Female Swivel x 5" Storz	EA	Stock	\$2,555.46



The PRE-CON PC 30 comes standard with a field-adjustable relief valve, large air purge valve at a stress-relieving 30° angle for Storz or large NST hose. The PC 30 only opens as far as necessary for the discharge flow requirements. As discharge lines or nozzles are opened or closed, the PC 30 continually adjusts for changes in water flow. The straight-through design enhances flow and eliminates cumbersome 90° elbows that can interfere with pump controls.

Note: Pre-con automatic inlet valves are Patented. Pre-con valves are suction inlet valves designed to operate as automatic flow control valves. This eliminated the need for manual adjustments in relation to water flow.



# Pre-Con Parts

## RIGID MALES Halfs

STOCK NUMBER	DESCRIPTION	DRAWING NO.	QTY REQUIRED	U/M	INV TYPE	LIST PRICE
PC-4.0M	RIGID MALE 4" NH	10	1	EA	Stock	\$548.43
PC-4.5M	RIGID MALE 4.5" NH	10	1	EA	Stock	\$548.43
PC-5.0M	RIGID MALE 5" NH	10	1	EA	Stock	\$548.43
PC-6.0M	RIGID MALE 6" NH	10	1	EA	Stock	\$548.43
PC-M-40 ST	RIGID MALE 4" STORZ	130	1	EA	Stock	\$700.38
PC-M-50 ST	RIGID MALE 5" STORZ	130	1	EA	Stock	\$689.34



## 30° MALE Halfs

PC30-4.5-M	ANGLE MALE 4.5" NH	140	1	EA	Stock	\$644.57
PC30-5.0-M	ANGLE MALE 5" NH	140	1	EA	Stock	\$644.57
PC30-6.0-M	ANGLE MALE 6" NH	140	1	EA	Stock	\$644.57
PC30-M-4.0ST	ANGLE MALE 4" STORZ	140	1	EA	Stock	\$796.52
PC30-M-5.0ST	RANGLE MALE 5" STORZ	140	1	EA	Stock	\$785.48



## RIGID FEMALE Halfs - Discontinued

PC-4.0F	RIGID FEMALE 4" NH	20	1	EA	Obselete	Not Avail.
PC-4.5F	RIGID FEMALE 4.5" NH	20	1	EA	Obselete	Not Avail.
PC-5.0F	RIGID FEMALE 5" NH	20	1	EA	Obselete	Not Avail.
PC-6.0F	ANRIGID FEMALE 6" NH	20	1	EA	Obselete	Not Avail.

## SWIVEL FEMALE Halfs

PC-4.0-FS	SWIVEL FEMALE 4" NH	120	1	EA	Stock	\$560.38
PC-4.5-FS	SWIVEL FEMALE 4.5" NH	120	1	EA	Stock	\$577.45
PC-5.0-FS	SWIVEL FEMALE 5" NH	120	1	EA	Stock	\$577.45
PC-6.0-FS	SWIVEL FEMALE 6" NH	120	1	EA	Stock	\$577.45



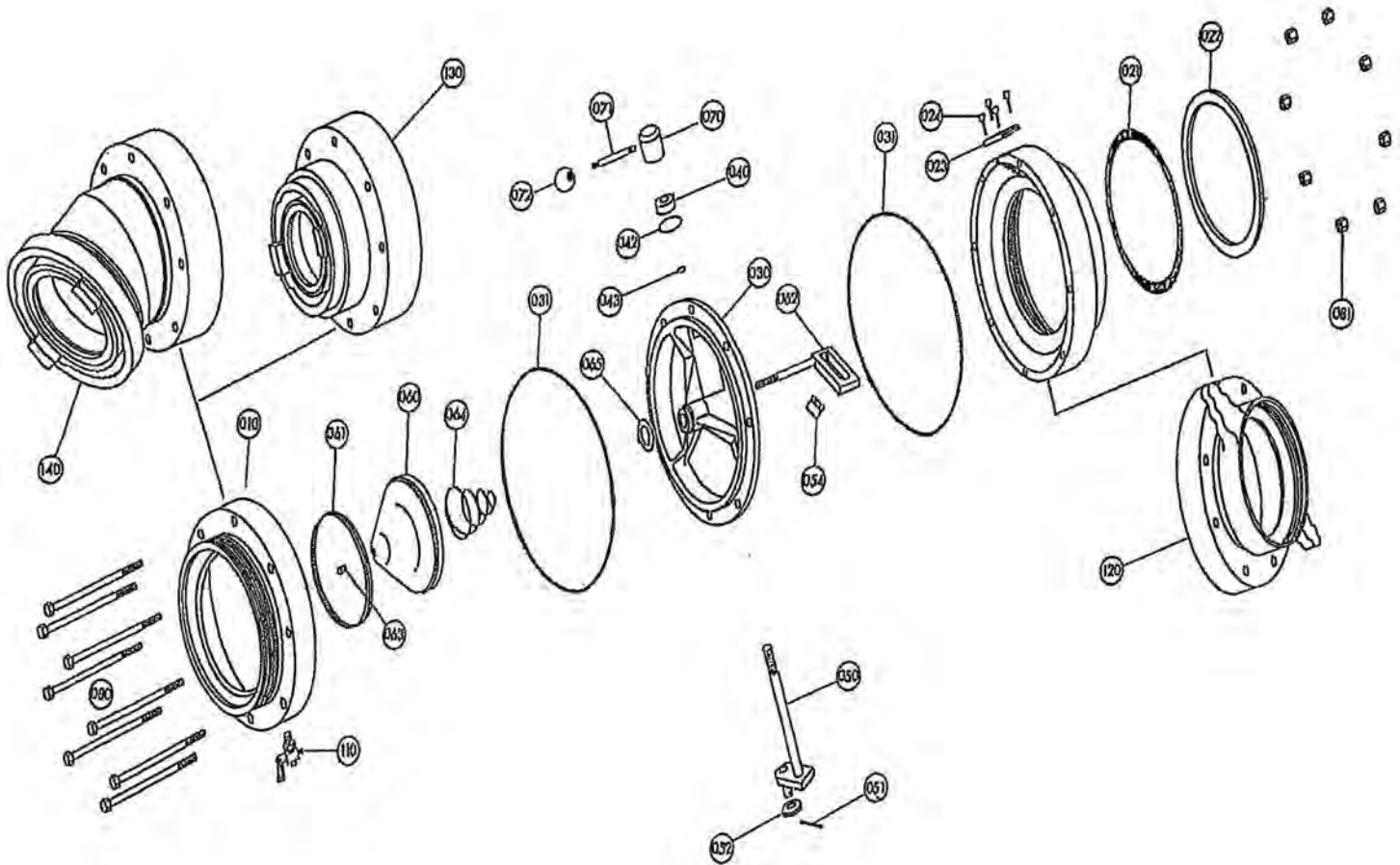
## MISCELLANEOUS

PC-SEAL-PLATE	SEAL PLATE	23	1	EA	Stock	\$30.48
PC-SEAL-BOLTS	SEAL PLATE BOLTS	24	4	EA	Stock	\$0.67
PC-CTR-SUPPORT	CENTER SUPPORT ONLY	30	1	EA	Stock	\$165.26
PC-CTR-SUPP-ASSY	CENTER SUPPORT ASSY W/ SHAFT	XXXX	1	EA	Stock	\$366.08
PC-VB-SEAL	VALVE BODY SEAL	31	2	EA	Stock	\$3.60
PC-SHFT-SEAL-GLAND	SHAFT SEAL GLAND (Brass)	40	1	EA	Stock	\$23.52
PC-GLAND-SHFT-SEAL	GLAND SEAL Large O-Ring	42	1	EA	Stock	\$0.29
PC-SHFT-SEAL	SHAFT SEAL Small O-Ring	43	1	EA	Stock	\$0.24
PC-OP-SHAFT	OPERATING SHAFT	50	1	EA	Stock	\$134.40
PC-RET-PIN	RETAINER PIN	51	1	EA	Stock	\$1.01
PC-SLDE-WASHER	SLIDE BLOCK WASHER (Brass)	52	1	EA	Stock	\$3.94
PC-SLDE-BLOCK	SLIDE BLOCK	54	1	EA	Stock	\$15.12

# Pre-Con Parts

STOCK NUMBER	DESCRIPTION	DRAWING NO.	QTY REQUIRED	U/M	INV. TYPE	LIST PRICE (EA.)
PC-FLOAT	VALVE FLOAT	60	1	ea.	Stock	\$162.69
PC-TSEAL	VALVE FLOAT T-SEAL	61	1	ea.	Stock	\$31.28
PC-V-STEM	VALVE STEM	62	1	ea.	Stock	\$115.53
PC-FLOAT-SS	FLOAT SET SCREW	63	1	ea.	Stock	\$1.30
PC-V-SPRING	VALVE SPRING	64	1	ea.	Stock	\$7.30
PC-SP-WASHER	SPRING WASHER	65	1	ea.	Stock	\$3.94
PC-HAND-BODY	HANDLE BODY	70	1	ea.	Stock	\$18.77
PC-DRAIN-PLUG	Pre Con Valve Drain Plug	--	1	ea.	Stock	\$6.17
PC30-REL-VALVE	PC30 RELIEF VALVE	--	1	ea.	Stock	\$267.12
PC-4.0-GASKET	RUBBER GASKET 4"	21	1	ea.	Stock	\$1.92
PC-4.5-GASKET	RUBBER GASKET 4.5"	21	1	ea.	Stock	\$2.16
PC-5.0-GASKET	RUBBER GASKET 5"	21	1	ea.	Stock	\$2.18
PC-6.0-GASKET	RUBBER GASKET 6"	21	1	ea.	Stock	\$2.18
PC-4.0-SHIM	PAPER SHIM 4"	22	4	ea.	Stock	\$.72
PC-4.5-SHIM	PAPER SHIM 4.5"	22	4	ea.	Stock	\$.72
PC-5.0-SHIM	PAPER SHIM 5"	22	4	ea.	Stock	\$1.29
PC-6.0-SHIM	PAPER SHIM 6"	22	4	ea.	Stock	\$1.31
PC-HAND-SHAFT	HANDLE SHAFT	71	1	ea.	Stock	\$15.26
PC-HAND-KNOB	HANDLE KNOB	72	1	ea.	Stock	\$6.86
PC-BODY-BOLT	BODY BOLT	80	8	ea.	Stock	\$.80
PC-LOCK-NUTS	LOCK NUTS	81	8	ea.	Stock	\$.12
PC-PRES-DECAL	PRESSURE SETTING DECAL	84	1	ea.	Stock	\$1.20
PC-GRS-ZERK	GREASE ZERK	85	1	ea.	Stock	\$1.63
PC-WAR-DECAL	WARNING DECAL	86	1	ea.	Stock	\$1.20
PC-BLDR-VALVE	PC3/PC30 BLEEDER VALVE	110	1	ea.	Stock	\$22.67
PC-GREASE	MAINTENANCE GREASE FOR VALVE	--	1	ea.	Stock	\$11.71
PC30-REL-V BOLTS	RELIEF VALVE BOLTS	--	4	ea.	Stock	\$1.04
PC30-REL-V-WASH	RELIEF VALVE LOCKWASHERS	--	4	ea.	Stock	\$.32
PC30-ADPT-PLATE	RELIEF VALVE ADAPTOR PLATE	--	1	ea.	Non Stock	\$-----
PC-40-SWIVEL	LONG HANDLE SWIVEL 4"	--	1	ea.	Stock	\$140.64
PC-45-SWIVEL	LONG HANDLE SWIVEL 4.5"	--	1	ea.	Stock	\$232.56
PC-50-SWIVEL	LONG HANDLE SWIVEL 5"	--	1	ea.	Stock	\$224.02
PC-60-SWIVEL	LONG HANDLE SWIVEL 6"	--	1	ea.	Stock	\$191.76
PC-SH-ROLLER	ROLLERS, Aluminum	--	1	ea.	Stock	\$.10
PC-SWIVEL-PLUG	Swivel Plug for Rollers	--	1	ea.	Stock	\$3.36

# Pre-Con Parts – Automatic Suction Valve Parts Diagram





# Carlin Valves

## Carlin Valves - 4" NST

CV45-4.0FS-4.0M	Carlin Valve (4" Female Swivel x 4" Male Nst)	EA	Stock	\$2,477.12
CV45-4.0FS-4.5M	Carlin Valve (4" Female Swivel x 4.5" Male Nst)	EA	Stock	\$2,477.12
CV45-4.0FS-4.0ST	Carlin Valve (4" Female Swivel x 4" Storz Adapter)	EA	Stock	\$2,723.55
CV45-4.0FS-5.0ST	Carlin Valve (4" Female Swivel x 5" Storz Adapter)	EA	Stock	\$2,802.15

---

## Carlin Valves - 4.5" NST

CV45-4.5FS-4.0M	Carlin Valve (4.5" Female Swivel x 4" Male Nst)	EA	Stock	\$2,534.22
CV45-4.5FS-4.5M	Carlin Valve (4.5" Female Swivel x 4.5" Male Nst)	EA	Stock	\$2,534.22
CV45-4.5FS-4.0ST	Carlin Valve (4.5" Female Swivel x 4" Storz Adapter)	EA	Stock	\$2,758.85
CV45-4.5FS-5.0ST	Carlin Valve (4.5" Female Swivel x 5" Storz Adapter)	EA	Stock	\$2,958.86

---

## Carlin Valves - 4.5" Storz

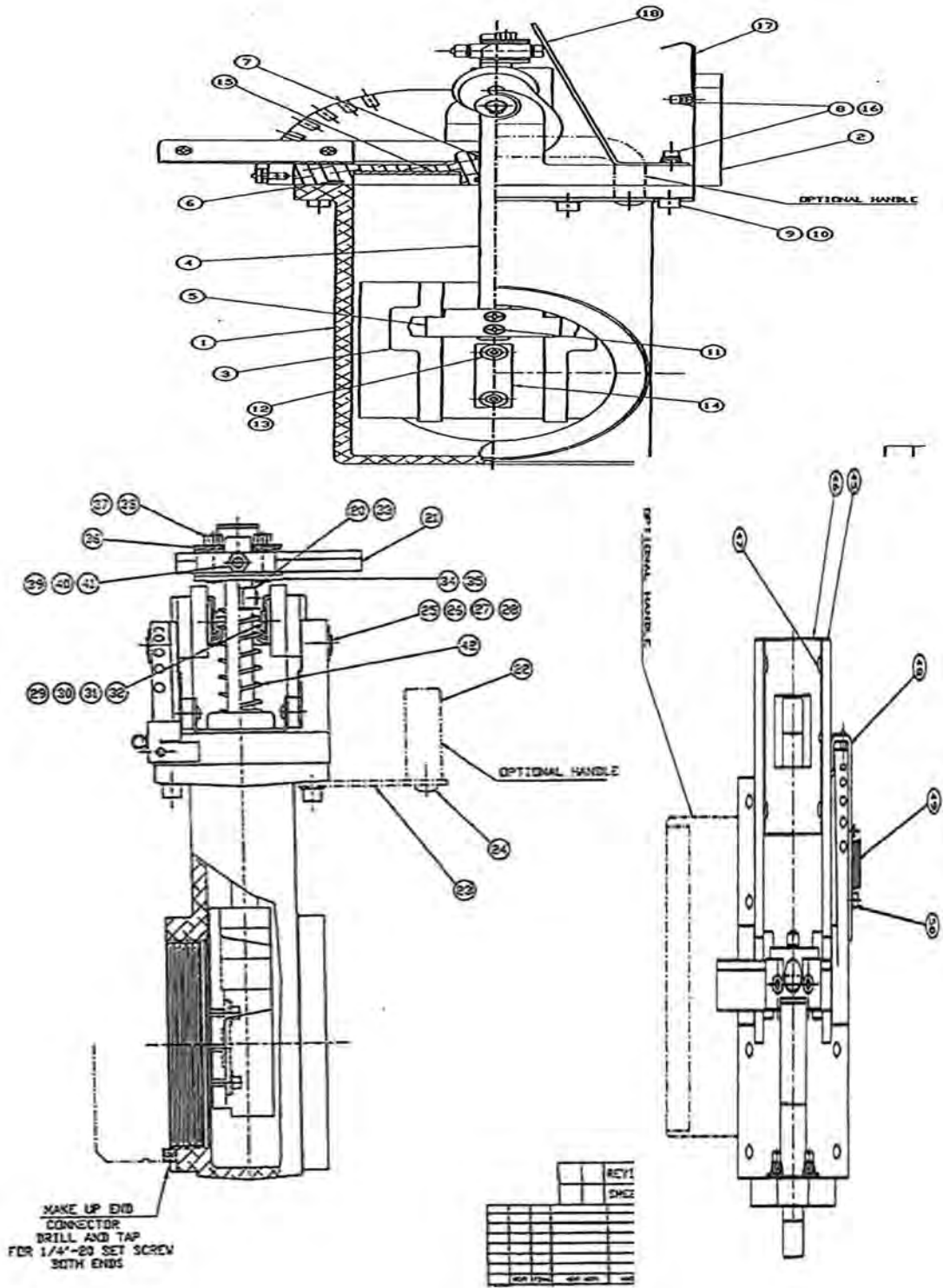
CV45-4.0ST-4.0M	Carlin Valve (4" Storz Adapter x 4" Male Nst)	EA	Stock	\$2,613.75
CV45-4.0ST-4.5M	Carlin Valve (4" Storz Adapter x 4.5" Male Nst)	EA	Stock	\$2,613.75
CV45-4.0ST-4.0ST	Carlin Valve (4" Storz Adapter x 4" Storz Adapter)	EA	Stock	\$2,699.00
CV45-4.0ST-5.0ST	Carlin Valve (4" Storz Adapter x 5" Storz Adapter)	EA	Stock	\$2,756.45

## Carlin Valves - 5" Storz

CV45-5.0ST-4.0M	Carlin Valve (5" Storz Adapter x 4" Male Nst)	EA	Stock	\$2,638.79
CV45-5.0ST-4.5M	Carlin Valve (5" Storz Adapter x 4.5" Male Nst)	EA	Stock	\$2,638.79
CV45-5.0ST-4.0ST	Carlin Valve (5" Storz Adapter x 4" Storz Adapter)	EA	Stock	\$2,736.11
CV45-5.0ST-5.0ST	Carlin Valve (5" Storz Adapter x 5" Storz Adapter)	EA	Stock	\$2,906.35



# Carlin Valve Parts Diagram



# Carlin Valve Parts

STOCK NUMBER	DESCRIPTION	DRAWING NO.	QTY RQ'D	U/M	LIST PRICE
CV-BODY	Carlin Valve Body	1	1	EA	\$648.19
CV-BONNETT	Carlin Valve Bonnett	2	1	EA	\$427.87
CV-GATE	Carlin Valve Gate	3	1	EA	\$173.17
CV-GATE-SHAFT	Carlin Valve Gate Shaft	4	1	EA	\$71.15
CV-GATE-CONN	Carlin Valve Gate Connector Mach.	5	1	EA	\$74.12
CV-ORING-357	#357 O-ring	6	1	EA	\$4.62
CV-ORING-114	#114 O-ring	7	2	EA	\$0.39
CV-SHCS-10-32-.75	#10-32 .75 Hd Screw	8	4	EA	\$9.86
CV-SHCS-.312-18-1	5.16 x 18.1 Hd. Screw	9	8	EA	\$0.62
CV-AN96-OC5/16	Flat Washer. 5/16	10	8	EA	\$0.23
CV-10-32-.88-PH-SCREW	#10-32 x .88 Hd Screw	11	2	EA	\$0.18
CV-SHCS-10-32-.44	#10-32 x .75 Shldr Blt	12	2	EA	\$0.28
CV-#10-WASHER	#10 Flat Washer	13	2	EA	\$0.14
CV-GATE-RUBBER	Carlin Valve Gate Rubber	14	1	EA	\$1.39
CV-BACK-RUBBER	Back seat rubber	15	2	EA	\$1.39
CV-COMP-SPRING-1026	Compression Spring (1026)	16	4	EA	\$14.75
CV-CATCH-CLIP	Catch Clip (1021)	17	1	EA	\$21.95
CV-SHAFT-CLIP	Shaft Clip (1022)	18	1	EA	\$18.30
CV-STEM-CLIP	Stem Clip (1020)	20	1	EA	\$14.06
CV-GATE-SHAFT-LEVER	Gate Shaft Lever	21	1	EA	\$51.98
CV-PAN-SCREW-.312-18	Pan Head Hex Screw (5/16-18x.5)	24	2	EA	\$0.59
CV-CAM-HANDLE-PIN	Cam Handle (1023)	25	2	EA	\$20.22
CV-3137-SNAP-RING	Snap Ring (3137)	26	2	EA	\$0.39
CV-.375-SS-WASHER	Flat Washer (3/8 SAE)	27	2	EA	\$0.23
CV-SLEEVE-BUSHING	Bushing (1015)	28	2	EA	\$8.47
CV-CAM-ROLLER-PIN	Cam Roller Pin (1012)	29	2	EA	\$25.03
CV-SNAP-RING	Snap Ring (RST50 SPIR)	30	2	EA	\$0.39
CV-FLAT-WASHER-.5	Flat Washer (1/2 SAE)	31	2	EA	\$0.31
CV-CAM-ROLLER	Cam Roller (1014)	32	2	EA	\$15.68
CV-SCREW-10-32-.625	Phil. Screw Flat Head (#10-32x.63)	33	1	EA	\$0.23
CV-.125-SHIM	1/8" Shim (1017)	34	1	EA	\$11.94
CV-.062-SHIM	1/16" Shim (1018)	35	1	EA	\$11.55
CV-.031-SHIM	1/32" Shim (1019)	36	6	EA	\$12.32
CV-FHPPH-10-32-1.12	Phillips Screw Flat Head	37	2	EA	\$0.23
CV-NUT-10-32	ESNA Lock Nut (#10-32)	38	2	EA	\$0.43
CV-HEX-CAPSCREW-.25-.20	Hex Cap Screw (1/4-20x1.75)	39	1	EA	\$0.46
CV-NUT-.25-.20	ESNA Lock Nut (1/4-20)	40	1	EA	\$0.15
CV-COMP-SPRING-1024	Compression Spring (1024)	41	1	EA	\$1.93
CV-FLAT-WASHER-.25-COM	Flat Washer (1/4 Com.)	42	2	EA	\$0.15
CV-CAM-HANDLE	Cam Handle (1009)	45	2	EA	\$112.24
CV-CAM-HANDLE-PLATE	Cam Handle Plate (1010)	46	1	EA	\$34.65
CV-AH-CAP-SCREW-8-32	Pan Head Phillip Screw (#8-32x.38)	47	4	EA	\$0.23
CV-CATCH-PLATE	Catch Plate (1011)	48	1	EA	\$35.62
CV-EXT-SPRING	Extension Spring (1025)	49	1	EA	\$4.82
CV-SHCS-10-32-.44	Socket Head Cap Screw	50	1	EA	\$0.23
CV-ADPT-4.0-SWIVEL	CV 4" Swivel Adapter	-	1	EA	\$269.27
CV-ADPT-4.0NH-M	CV 4" Nst. Male Adapter	-	1	EA	\$298.88
CV-ADPT-4.5-SWIVEL	CV 4.5" Swivel Adapter	-	1	EA	\$291.98
CV-ADPT-4.5NH-M	CV 4.5" Nst. Male Adapter	-	1	EA	\$326.14

# Out of Service Signs

## Out Of Service Signs - 2.5" Blank Poly Sign

STOCK NUMBER	DESCRIPTION	U/M	INV. TYPE	LIST PRICE
HSGN-2.5-B-BLUE	2.5" Blank Blue Sign	ea.	Stock	\$4.84
HSGN-2.5-B-GREEN	2.5" Blank Green Sign	ea.	Stock	\$4.84
HSGN-2.5-B-ORANGE	2.5" Blank Orange Sign	ea.	Stock	\$4.84
HSGN-2.5-B-RED	2.5" Blank Red Sign	ea.	Stock	\$4.84
HSGN-2.5-B-WHITE	2.5" Blank White Sign	ea.	Stock	\$4.84
HSGN-2.5-B-YELLOW	2.5" Blank Yellow Sign	ea.	Stock	\$4.84



## Out Of Service Signs - 4" Blank Poly Sign

STOCK NUMBER	DESCRIPTION	U/M	INV. TYPE	LIST PRICE
HSGN-4.0-B-BLUE	4" Blank Blue Sign	ea.	Stock	\$6.18
HSGN-4.0-B-GREEN	4" Blank Green Sign	ea.	Stock	\$6.18
HSGN-4.0-B-ORANGE	4" Blank Orange Sign	ea.	Stock	\$6.18
HSGN-4.0-B-RED	4" Blank Red Sign	ea.	Stock	\$6.18
HSGN-4.0-B-WHITE	4" Blank White Sign	ea.	Stock	\$6.18



## Out Of Service Signs - 4.5" Blank Poly Sign

STOCK NUMBER	DESCRIPTION	U/M	INV. TYPE	LIST PRICE
HSGN-4.5-B-BLUE	4.5" Blank Blue Sign	ea.	Stock	\$7.86
HSGN-4.5-B-GREEN	4.5" Blank Green Sign	ea.	Stock	\$7.86
HSGN-4.5-B-ORANGE	4.5" Blank Orange Sign	ea.	Stock	\$7.86
HSGN-4.5-B-RED	4.5" Blank Red Sign	ea.	Stock	\$7.86
HSGN-4.5-B-WHITE	4.5" Blank White Sign	ea.	Stock	\$7.86
HSGN-4.5-B-YELLOW	4.5" Blank Yellow Sign	ea.	Stock	\$7.86



## Custom Signs Available (Minimum 100 pieces on custom signs) Call for quote.

STOCK NUMBER	DESCRIPTION	U/M	INV. TYPE	LIST PRICE
HSGN-COLOR-SETUP	Color Set up Fee	ea.	Custom	\$40.00
HSGN-SCREEN-FEE	Custom Scree Fee	ea.	Custom	\$20.00

Colors Available: Blue, Black, Green, Orange, Red, White, Yellow  
Additional Cost for Custom Signs (minimum 100 pcs on custom signs)



# Out of Service Signs

## Out Of Service Signs - 2.5" Printed "Out of Service" Poly Sign

STOCK NUMBER	DESCRIPTION	U/M	INV. TYPE	LIST PRICE
HSGN-2.5-BLUE	2.5" Blue Sign	ea.	Stock	\$7.88
HSGN-2.5-GREEN	2.5" Green Sign	ea.	Stock	\$7.88
HSGN-2.5-ORANGE	2.5" Orange Sign	ea.	Stock	\$7.88
HSGN-2.5-RED	2.5" Red Sign	ea.	Stock	\$7.88
HSGN-2.5-WHITE	2.5" White Sign	ea.	Non-Stock	\$7.88
HSGN-2.5-YELLOW	2.5" Yellow Sign	ea.	Stock	\$7.88



## Out Of Service Signs - 4" Printed "Out of Service" Poly Sign

STOCK NUMBER	DESCRIPTION	U/M	INV. TYPE	LIST PRICE
HSGN-4.0-BLUE	4" Blue OSS	ea.	Stock	\$8.72
HSGN-4.0-GREEN	4" Green OSS	ea.	Stock	\$8.72
HSGN-4.0-ORANGE	4" Green OSS	ea.	Stock	\$8.72
HSGN-4.0-RED	4" Red OSS	ea.	Stock	\$8.72
HSGN-4.0-WHITE	4" White OSS	ea.	Non-Stock	\$8.72
HSGN-4.0-YELLOW	4" Yellow OSS	ea.	Stock	\$8.72



## Out Of Service Signs - 4.5" Printed "Out of Service" Poly Sign

STOCK NUMBER	DESCRIPTION	U/M	INV. TYPE	LIST PRICE
HSGN-4.5-BLUE	4.5" Blue OSS	ea.	Stock	\$9.46
HSGN-4.5-GREEN	4.5" Green OSS	ea.	Stock	\$9.46
HSGN-4.5-ORANGE	4.5" Orange OSS	ea.	Stock	\$9.46
HSGN-4.5-RED	4.5" Red OSS	ea.	Stock	\$9.46
HSGN-4.5-WHITE	4.5" White OSS	ea.	Non-Stock	\$9.46
HSGN-4.5-YELLOW	4.5" Yellow OSS	ea.	Stock	\$9.46



# Nylon Caps

## Plastic Hydrant Caps - 2.5" with Gasket Only

STOCK NUMBER	DESCRIPTION	U/M	INV TYPE	LIST PRICE
HSPC-2.5NH-BLUE-ASSY	2 1/2" NST Blue Cap W/ Gasket	EA	Stock	\$47.70
HSPC-2.5NH-GREEN-ASSY	2 1/2" NST Green Cap W/ Gasket	EA	Stock	\$47.70
HSPC-2.5NH-ORANGE-ASSY	2.5" NST Orange Cap W/ Gasket	EA	Stock	\$47.70
HSPC-2.5NH-PURPLE-ASSY	2 1/2" NST Purple Cap Gasket	EA	Stock	\$47.70
HSPC-2.5NH-RED-ASSY	2 1/2" NST Red Cap W/ Gasket	EA	Stock	\$47.70
HSPC-2.5NH-YELLOW-ASSY	2 1/2" NST Yellow Cap Gasket	EA	Stock	\$47.70



## Plastic Hydrant Caps - 2.5" with Gasket, Loop and Cable

HSPC-2.5NH-BLUE-LOOP-ASSY	2 1/2" NST Blue W/ Loop Assy	EA	Stock	\$62.53
HSPC-2.5NH-GREEN-LOOP-ASSY	2 1/2" NST Green W/ Loop Assy	EA	Stock	\$62.53
HSPC-2.5NH-ORANGE-LOOP-ASSY	2 1/2" NST Orange W/ Loop Assy	EA	Stock	\$62.53
HSPC-2.5NH-PURPLE-LOOP-ASSY	2 1/2" NST Purple W/ Loop Assy	EA	Stock	\$62.53
HSPC-2.5NH-RED-LOOP-ASSY	2 1/2" NST Red W/ Loop Assy	EA	Stock	\$62.53
HSPC-2.5NH-YELLOW-LOOP-ASSY	2 1/2" NST Yellow W/ Loop Assy	EA	Stock	\$62.53

## Plastic Hydrant Caps - 4" with Gasket Only

HSPC-4.0NH-GREEN-ASSY	4" NST Green Cap W/ Gasket	EA	Stock	\$54.00
HSPC-4.0NH-ORANGE-ASSY	4" NST Orange Cap W/ Gasket	EA	Stock	\$54.00
HSPC-4.0NH-RED-ASSY	4" NST Red Cap W/ Gasket	EA	Stock	\$54.00
HSPC-4.0NH-WHITE-ASSY	4" NST White Cap W/ Gasket	EA	Stock	\$54.00
HSPC-4.0NH-YELLOW-ASSY	4" NST Yellow Cap W/ Gasket	EA	Stock	\$54.00



## Plastic Hydrant Caps - 4" with Gasket, Loop and Cable

HSPC-4.0NH-GREEN-CBL-ASSY	4" NST Green Cap W/ Cable Assy	EA	Stock	\$56.66
HSPC-4.0NH-ORANGE-CBL-ASSY	4" NST Orange W/ Cable Assy	EA	Stock	\$56.66
HSPC-4.0NH-RED-CBL-ASSY	4" NST Red Cap W/ Cable Assy	EA	Stock	\$56.66
HSPC-4.0NH-WHITE-CBL-ASSY	4" NST White Cap W/ Cable Assy	EA	Stock	\$56.66
HSPC-4.0NH-YELLOW-CBL-ASSY	4" NST Yellow Cap W/ Cbl Assy	EA	Stock	\$56.66

## Plastic Hydrant Caps - 4.5" with Gasket Only

HSPC-4.5NH-BLUE-ASSY	4 1/2" NST Blue Cap W/ Gasket	EA	Stock	\$54.68
HSPC-4.5NH-GREEN-ASSY	4 1/2" NST Green Cap W/ Gasket	EA	Stock	\$54.68
HSPC-4.5NH-ORANGE-ASSY	4.5" NST Orange Cap W/ Gasket	EA	Stock	\$54.68
HSPC-4.5NH-PURPLE-ASSY	4.5" NST Purple Cap W/ Gasket	EA	Stock	\$54.68
HSPC-4.5NH-RED-ASSY	4.5" NST Red Cap W/ Gasket	EA	Stock	\$54.68
HSPC-4.5NH-YELLOW-ASSY	4.5" NST Yellow Cap W/ Gasket	EA	Stock	\$54.68



# Nylon Caps

## Plastic Hydrant Caps - 4.5" with Gasket, Loop and Cable

STOCK NUMBER	DESCRIPTION	U/M	INV TYPE	LIST PRICE
HSPC-4.5NH-BLUE-LOOP-ASSY	4 1/2" NST Blue W/ Loop Assy	EA	Stock	\$69.08
HSPC-4.5NH-GREEN-LOOP-ASSY	4 1/2" NST Green W/ Loop Assy	EA	Stock	\$69.08
HSPC-4.5NH-ORANGE-LOOP-ASSY	4 1/2" NST Orange W/ Loop Assy	EA	Stock	\$69.08
HSPC-4.5NH-PURPLE-LOOP-ASSY	4 1/2" NST Purple W/ Loop Assy	EA	Stock	\$69.08
HSPC-4.5NH-RED-LOOP-ASSY	4 1/2" NST Red W/ Loop Assy	EA	Stock	\$69.08
HSPC-4.5NH-YELLOW-LOOP-ASSY	4 1/2" NST Yellow W/ Loop Assy	EA	Stock	\$69.08

## Plastic Hydrant Cap Parts

HSPC-CABLE-3/16"-EA	3/16" Cable 38" Lg.	EA	Stock	\$2.05
HSPC-CABLE-3/32"-EA	3/32" Cable 18" Lg.	EA	Stock	\$1.15
HSPC-CABLE-CAP-3/32"-EA	3/32" Cable 38" Lg. F/ 4" Cap	EA	Stock	\$3.46
HSPC-FERR-CABL-3/16"	3/16" Ferrules for cable attachment	EA	Stock	\$2.30
HSPC-FERR-CABL-3/32"	3/32" Ferrules for cable attachment	EA	Stock	\$1.22
HSPC-LOOP-MEDIUM	Medium Nylon Cap Chain Loops	EA	Stock	\$18.44
HSPC-LOOP-SMALL	Small Nylon Cap Chain Loop	EA	Stock	\$17.96

## Reflective Tape Replacement for plastic Hydrant Caps - 2.5" Plastic Cap Reflective Tape

HSPC-REF-2.5-BLUE	2.5" Reflective Blue Ring	EA	Stock	\$3.47
HSPC-REF-2.5-GREEN	2.5" Reflective Green Ring	EA	Stock	\$3.47
HSPC-REF-2.5-ORANGE	2.5" Reflective Orange Ring	EA	Stock	\$3.47
HSPC-REF-2.5-RED	2.5" Reflective Red Ring	EA	Stock	\$3.47
HSPC-REF-2.5-YELLOW	2.5" Reflective Yellow Ring	EA	Stock	\$3.47

## Reflective Tape Replacement for plastic Hydrant Caps - 4" Plastic Cap Reflective Tape

HSPC-REF-4.0-BLUE	4" Reflective Blue Ring	EA	Stock	\$4.05
HSPC-REF-4.0-GREEN	4" Reflective Green Ring	EA	Stock	\$4.05
HSPC-REF-4.0-ORANGE	4" Reflective Orange Ring	EA	Stock	\$4.05
HSPC-REF-4.0-RED	4" Reflective Red Ring	EA	Stock	\$4.05
HSPC-REF-4.0-YELLOW	4" Reflective Yellow Ring	EA	Stock	\$4.05

## Reflective Tape Replacement for plastic Hydrant Caps - 4.5" Plastic Cap Reflective Tape

HSPC-REF-4.5-BLUE	4.5" Reflective Blue Ring	EA	Stock	\$4.62
HSPC-REF-4.5-GREEN	4.5" Reflective Green Ring	EA	Stock	\$4.62
HSPC-REF-4.5-ORANGE	4.5" Reflective Orange Ring	EA	Stock	\$4.62
HSPC-REF-4.5-RED	4.5" Reflective Red Ring	EA	Stock	\$4.62
HSPC-REF-4.5-YELLOW	4.5" Yellow Reflective Ring	EA	Stock	\$4.62



*YOUR FASTLANE TO FIRE PRODUCTS*