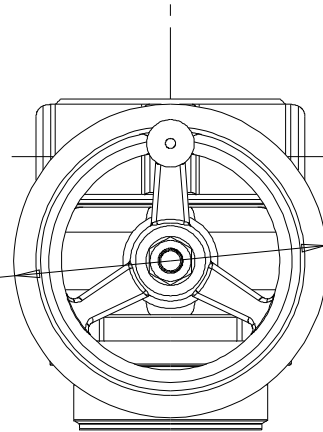
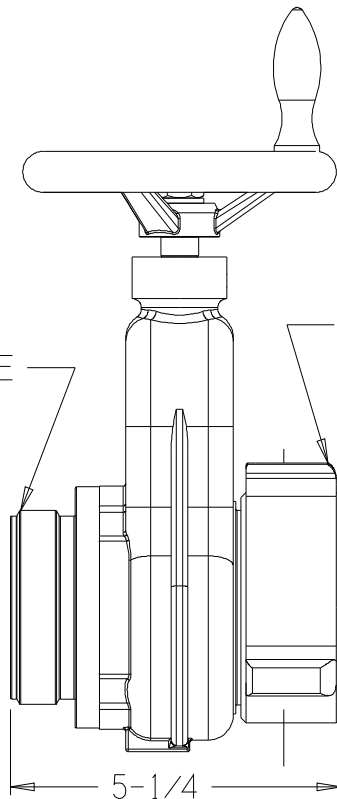
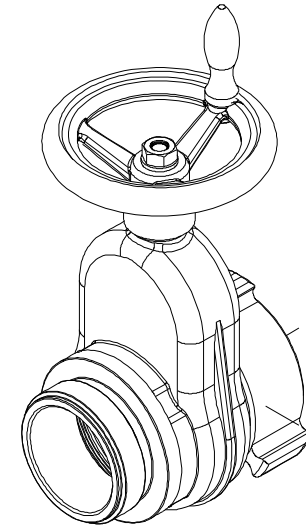


REVISIONS			
REV	DESCRIPTION	DATE	APPROVED



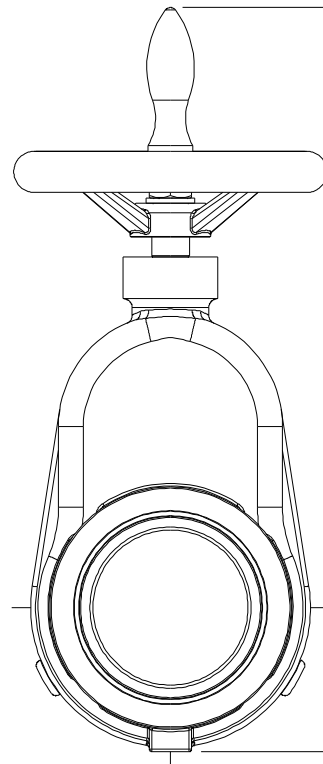
Ø4-7/8



2.5 NH MALE

2.5 NH FEMALE SWIVEL

5-1/4



11-3/4

NOTES:
1. ALL DIMENSIONS APPROXIMATE

 KOCHER CO. INC.

PART DESCRIPTION: 09K VALVE
2.5 NH MALE X 2.5 NH FEMALE SWIVEL

REV

DRAWN BY: J.L.

DWG. NO. 09K25225M

SCALE: NONE

DATE: 01/03/11

MATERIAL:

SAW CUT:

PART NO. 09525225M

SHEET 1 OF 1