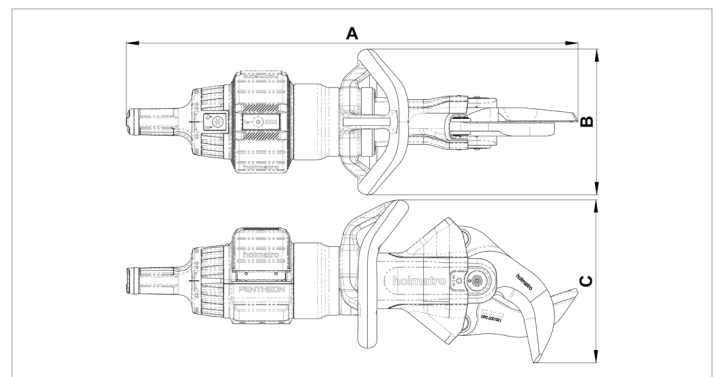


## PCU40 | Cutter

Specifications		
article number		151.002.425
model		PCU40
short description		Cutter
max. working pressure	psi	10443
battery included		no
connectivity, mobile app		Bluetooth
max. cutting opening	in	6.7
theoretical cutting force	lbf	171754
protection rate		IP57
sound emission @ 1m/3.25ft	dB(A)	75
sound emission @ 4m/13ft	dB(A)	66
hydraulic oil type		ISO-L HV VG 36
NCT		yes
cutter jaw		inclined
weight, ready for use (incl. battery)	lb	41.4
weight (excl. battery)	lb	37.9
temperature range	°F	-4 +131
dimensions (AxBxC)	in	32.8 x 10.6 x 11.8
EN 13204 compliant		yes
EN 13204 classification		BC165I-18.8
EN 13204 cutting capacity		1I 2I 3I 4J 5J
NFPA 1960 compliant		yes
NFPA 1960, cutting capacity		A7 B7 C6 D7 E8 F3
EN 13204 2025 Ed classification		F-CU2-165-I



Safety factors / tests	
hydraulic safety factor	2:1
endurance test tool	1000 cycles of biting in material that cannot be cut
endurance test dead man's handle	6000 cycles

Required Accessories	
Battery Charger PBCH1 (AC-EU)	151.000.629
Battery Charger PBCH4 (AC-JP)	151.000.630
Battery Charger PBCH5 (AC-UK)	151.000.631
Battery Charger PBCH3 (DC)	151.000.632
Battery Charger PBCH2 (AC-US)	151.000.742
Battery Charger PBCH6 (AC-KR)	151.001.209
Battery Charger PBCH7 (AC-CN)	151.001.518
Battery Charger PBCH8 (AC-IN)	151.001.519
Battery PBPA288	151.004.490
Battery PBPA288 (CN)	151.004.491

