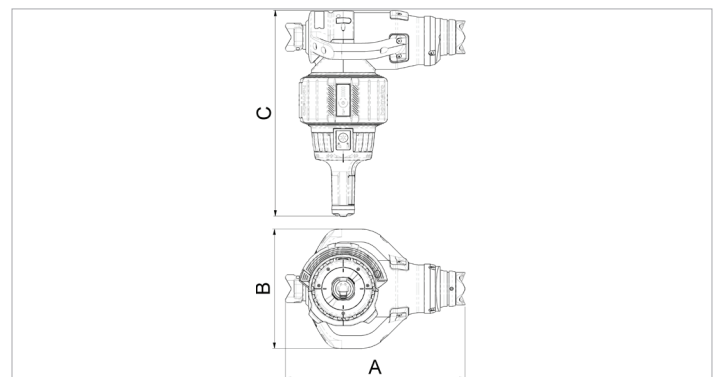


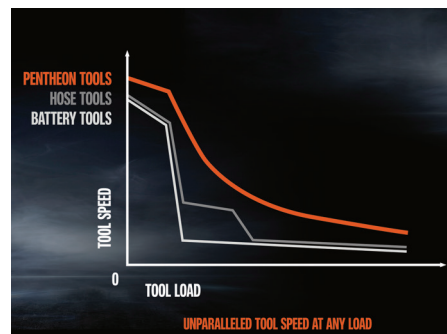
PRA40 | Ram

Specifications		
article number		159.000.239
model		PRA40
short description		Ram
max. working pressure	psi	7832
battery included		no
connectivity, mobile app		Bluetooth
spreading stroke	in	8.5
retracted length	in	15.2
extended length	in	23.6
spreading force over full stroke	lbf	30574
protection rate		IP57
sound emission @ 1m/3.25ft	dB(A)	75
sound emission @ 4m/13ft	dB(A)	66
hydraulic oil type		ISO-L HV VG 36
number of plungers		1
temperature range	°F	-4 +131
dimensions (AxBxC)	in	15.2 x 10.1 x 17.4
weight, ready for use (incl. battery)	lb	31.1
weight (excl. battery)	lb	27.6
EN 13204 classification		R136/215-14.2
EN 13204 compliant		yes
NFPA 1960, HSF	lbf	30574
NFPA 1960, LSF	lbf	30574
NFPA 1960 compliant		yes
EN 13204 2025 Ed classification		F-RA-136/215



Safety factors / tests	
hydraulic safety factor	2:1
endurance test tool	1000 cycles of spreading while the tool is loaded
endurance test dead man's handle	6000 cycles

Required Accessories	
Battery Charger PBCH3 (DC)	151.000.632
Battery Charger PBCH2 (AC-US)	151.000.742
Battery PBPA288	151.004.490



holmatro.com

© Holmatro 2026-07-01

While the greatest care has been devoted to the content, it is possible that the information in this printed matter is incorrect or incomplete. Holmatro B.V. and its affiliated companies (hereafter: Holmatro) cannot be held liable in any way for the consequences of activities undertaken on the basis of this printed matter. Values can vary within the manufacturer measurements. If you have any doubts about the correctness or completeness of the information, you shall contact Holmatro (T +31 (0)162-751480). Nothing from this printed matter can be copied and/or made public in any way without the explicit authorisation of Holmatro.