



# **CIRCUL-AIR PPE-EXPRESS DRYING CABINET - 6 GEAR**



- Meets NFPA 1851 Requirements
- Commercial Grade
- 900 CFM / 6000 W Heating
- Capacity of 12 pieces of gear
- 208V/240V Electrical Options
- CSA / ETL Compliant
- 10 Year Warranty (Contact Circul-Air for details)

#### Includes:

- 6 Gear Hangers, 6 Glove Hangers
- 3 Wire Racks, 1 Boot Rack

#### Dimensions:

6 GEAR 55" W x 38" D x 82" H

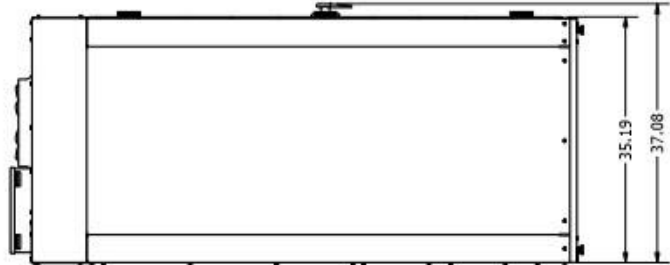
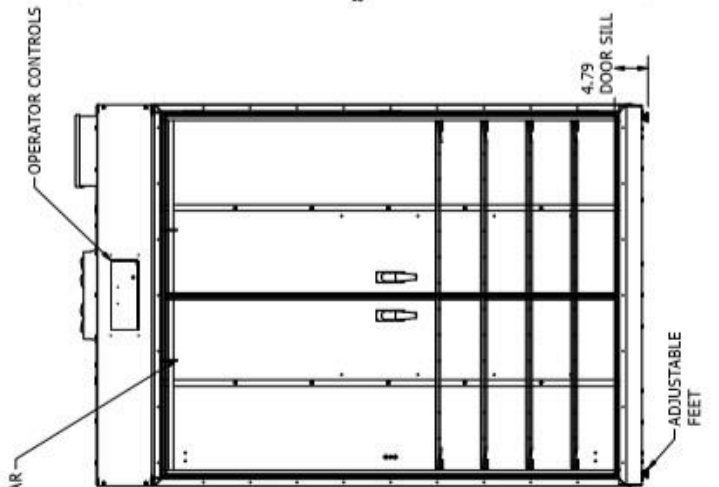
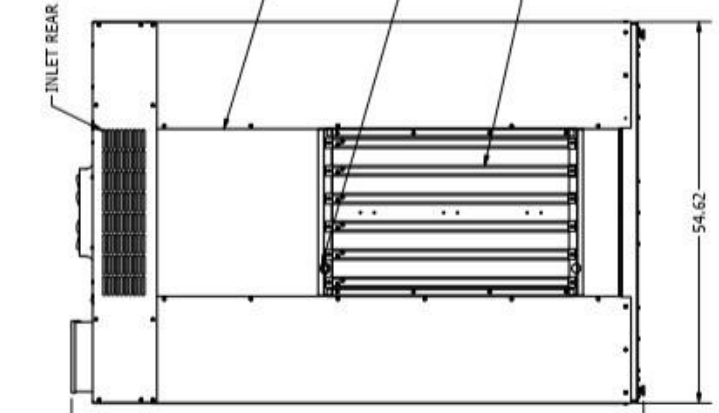
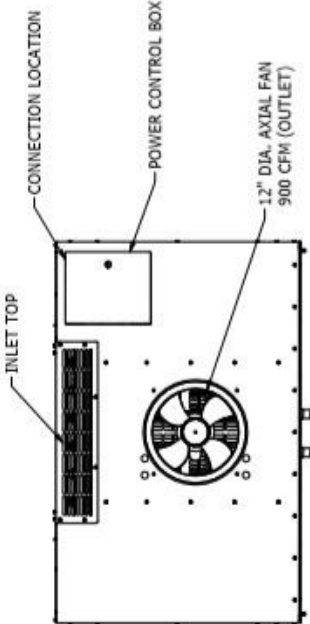
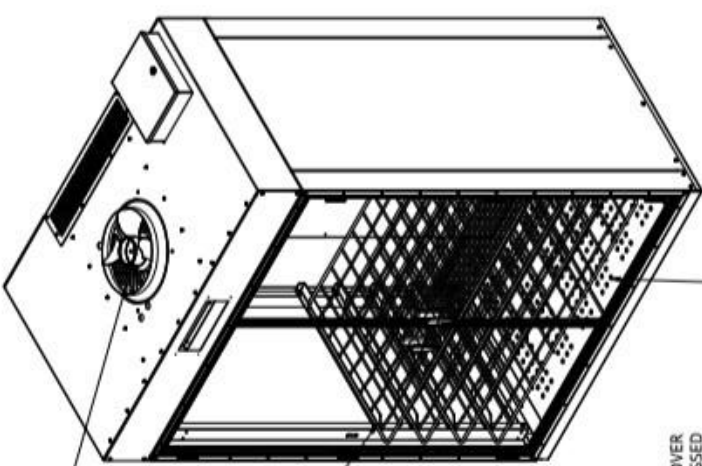
Part# E612-240V/1/60 E613-208V/1/60  
E633-240V/3/60 E634-208V/3/60

**NFPA 1851 MADE EASY**

[www.circul-air-corp.com](http://www.circul-air-corp.com)

1 (800) 795 1150

[orders@circul-air-corp.com](mailto:orders@circul-air-corp.com)



EQUIPMENT SPECIFICATIONS	
E612	240 V / 1 PH / 60 HZ, 30.1 A, 35 A FUSE
E613	208 V / 1 PH / 60 HZ, 27.5 A, 35 A FUSE
E633	240 V / 3 PH / 60 HZ, 19.6 A, 30 A FUSE
E634	240 V / 3 PH / 60 HZ, 17.7 A, 30 A FUSE
AIRFLOW	SUCTION - 900 CFM, AXIAL
HEATING	6 X 1000 W STRIP ELEMENT, WIRED FOR PHASE
DUCTING	MAX: 14" DIA., 20" RUN W/ DAMPER TYP: 12" DIA., 15" RUN W/ DAMPER MIN: 10" DIA., 15" RUN W/ DAMPER
CAPACITY	GEAR, UP TO 6 SETS, HOSE UP TO 4 SHELVES

THIS DOCUMENT IS THE PROPERTY OF CIRCUL-AIR CORP. INTERNATIONAL LTD. ANY DISTRIBUTION OR REPRODUCTION WITHOUT THE EXPRESSED WRITTEN PERMISSION IS FORBIDDEN.

**NFPA 1851 COMPLIANT**



DATE: 2020-05-07  
SCALE: 0.07:1

REV: 0

PROJECT: 1 OF 1

**DUCTING NOTES:**  
 1) STANDARD ROOF COLLAR IS 14" DIA. TO 12". STEP DOWN FROM COLLAR TO 12" OR 10".  
 2) RECTANGULAR DUCT SHOULD BE 8"X16".  
 3) DUCT SHOULD HAVE MANUAL DAMPER (PIVOT) OR GUILLOTINE DAMPER 2-3" FROM OUTLET.

**ELECTRICAL NOTES:**  
 1) RECOMMENDED CONNECTION IS DISCONNECT FROM WALL W/ 3/4" LIQUID SEAL W/ METAL LINER. ALLOW 3" OF SLACK.

**SHIPPING NOTES:**  
 SHIPPING WEIGHT IS 1150LBS W/ CRATE. DIMS 46" X 62" X 90".