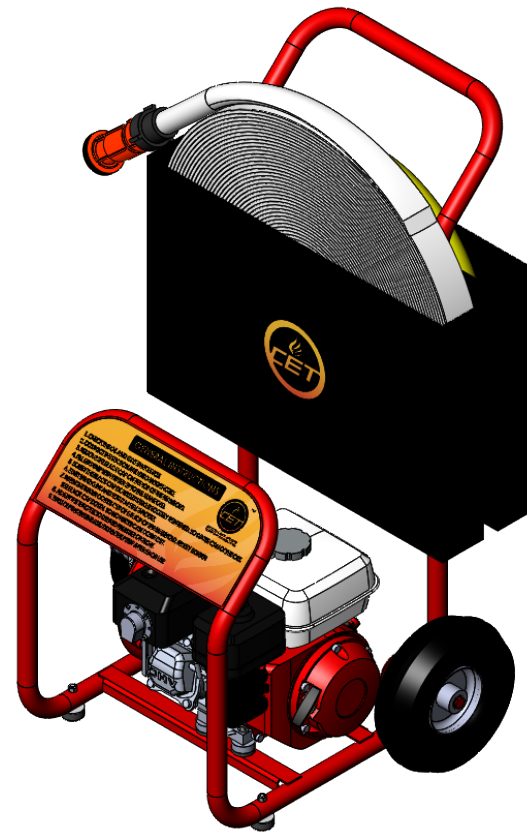
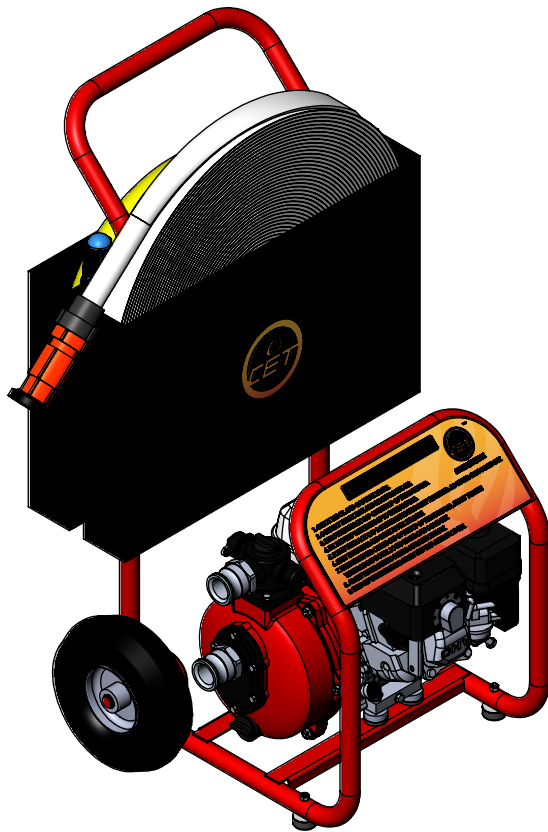
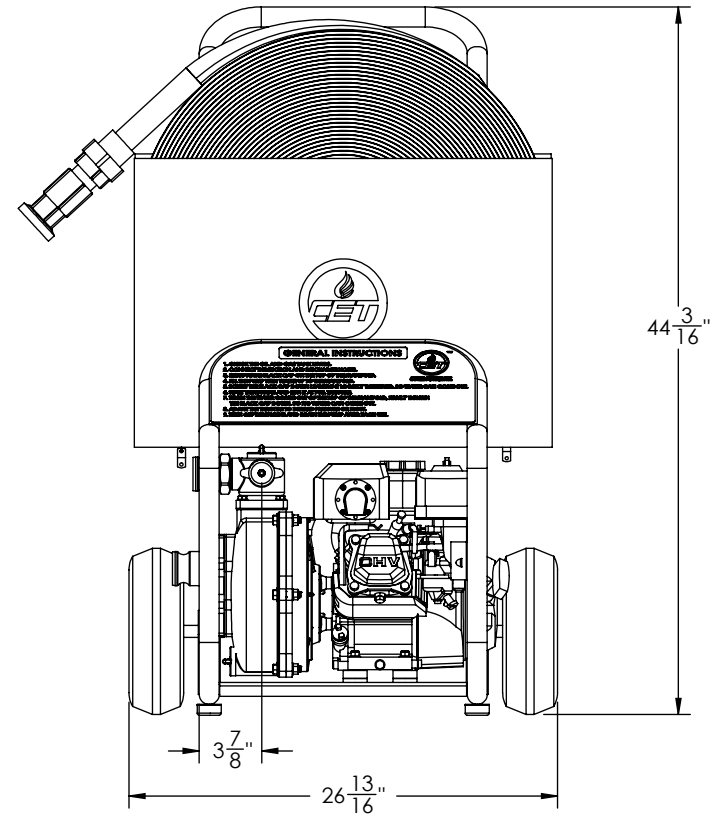
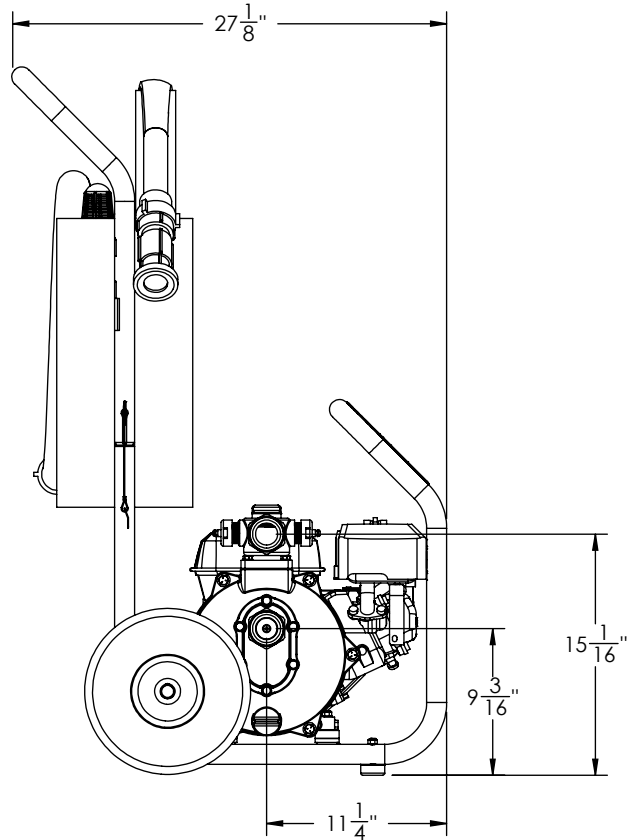


HAND TRUCK FIRE PUMP
HT-PFP-6hpHND-M-TWIN
GX200 HONDA ENGINE WITH HIGH-PRESSURE PUMP



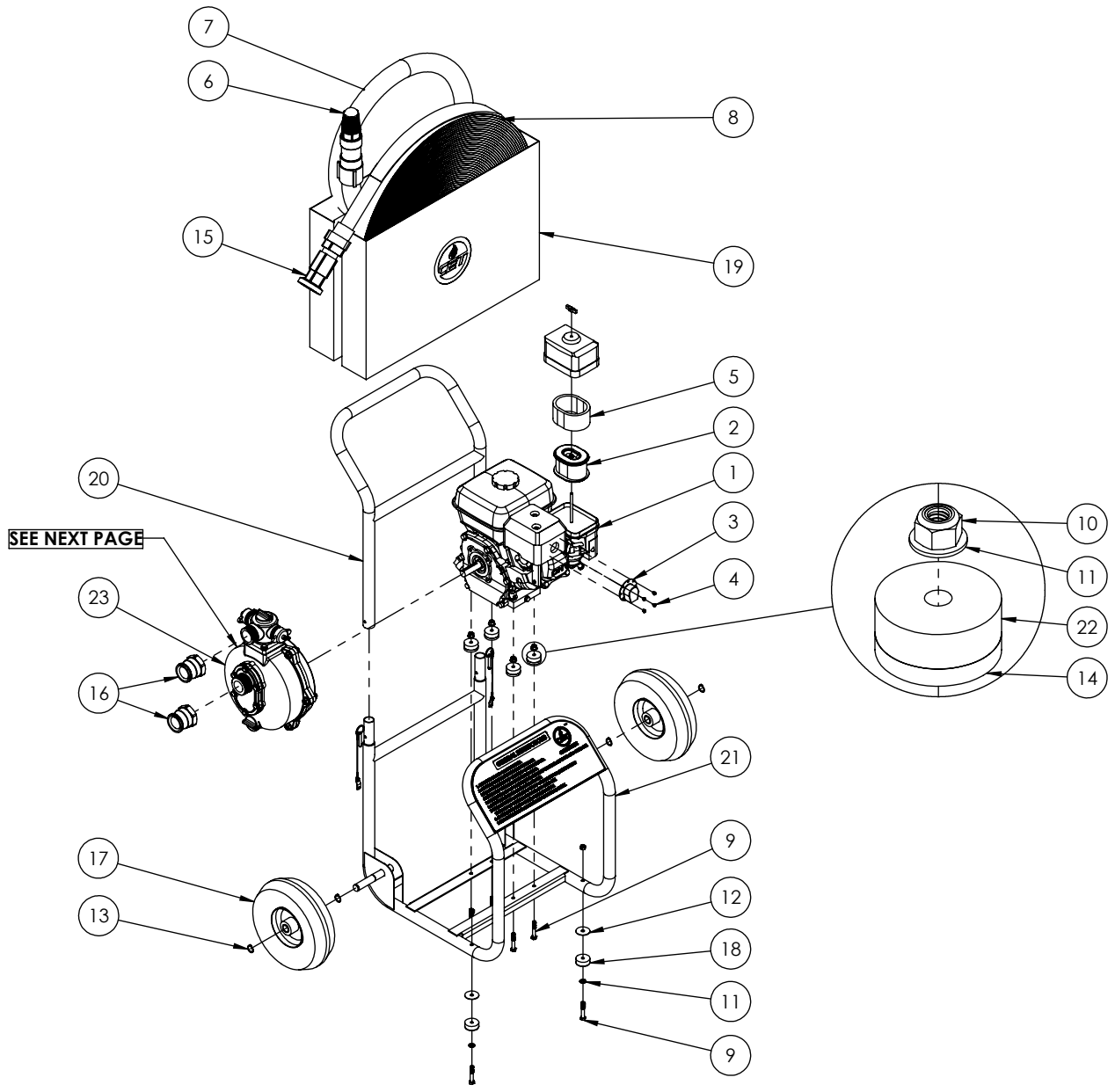
WE CAN CUSTOMIZE AS YOU WANT



WET WEIGHT: 153 lbs (69.5kg)

	CREATED BY: M.P. DATE: 19-02-16	TITLE : HT-PFP-6hpHND-M-TW HAND TRUCK FRAME	WARNING THIS DOCUMENT REMAINS THE PROPERTY OF C.E.T. FIRE PUMPS MFG. ALL REPRODUCTION WITHOUT WRITTEN AGREEMENT FROM C.E.T. FIRE PUMPS MFG IS TOTALLY PROHIBITED.
	VERIFIED BY: M.P. DATE: 19-02-16	No: PO-04TW-0705-A	

A	Version A	01-01-16	M.P.
REV.	DESCRIPTION	DATE	BY



NO	PART NUMBER	DESCRIPTION	QTY
1	001-PP1-007	HONDA ENGINE (GX200), MANUAL 6.5hp GAS	1
2	003-PP1-105	AIR FILTER	1
3	003-PP1-117	EXHAUST GAS DEFLECTOR	1
4	003-PP1-118	M4 x 0.7mm SCREW	4
5	003-PP1-150	AIR FILTER FOAM	1
6	021-PP1-008	STRAINER	1
7	021-PP1-522	1-1/2" x 10' SUCTION HOSE CAM-LOCK	1
8	021-PP1-523	1-1/2" x 100' DISCHARGE HOSE CAM-LOCK	1
9	022-PP1-016	HEX BOLT 5/16"-18 x 2"	6
10	023-PP1-005	HEX. NYLON LOCK NUT 5/16"-18	6
11	024-PP1-004	FLAT WASHER 5/16" ID x 3/4"OD	6
12	024-PP1-418	FLAT WASHER 5/16" ID x 1-1/2" OD (SS)	2
13	025-PP1-006	RETAINING RING	4
14	025-PP1-015	RUBBER WASHER 0.312" INT x 1.5" EXT. x 1/4" TK	4
15	033-PP1-049	FOG SHUT-OFF NOZZLE	1
16	045-PP1-531	1-1/2" CAM-LOCK HOSE COUPLING	2
17	060-PP1-008	WHEEL	2
18	060-PP1-014	FLAT TOP RECESSED BUMPER	2
19	060-PP1-248A	ACCESSORIES BAG	1
20	PO-0000-1802	HANDLE	1
21	PO-0000-1803	BOTTOM FRAME	1
22	PO-0000-6706	ENGINE SPACER	4
23	PO-00TW-2101	GOLIATH PUMP	1



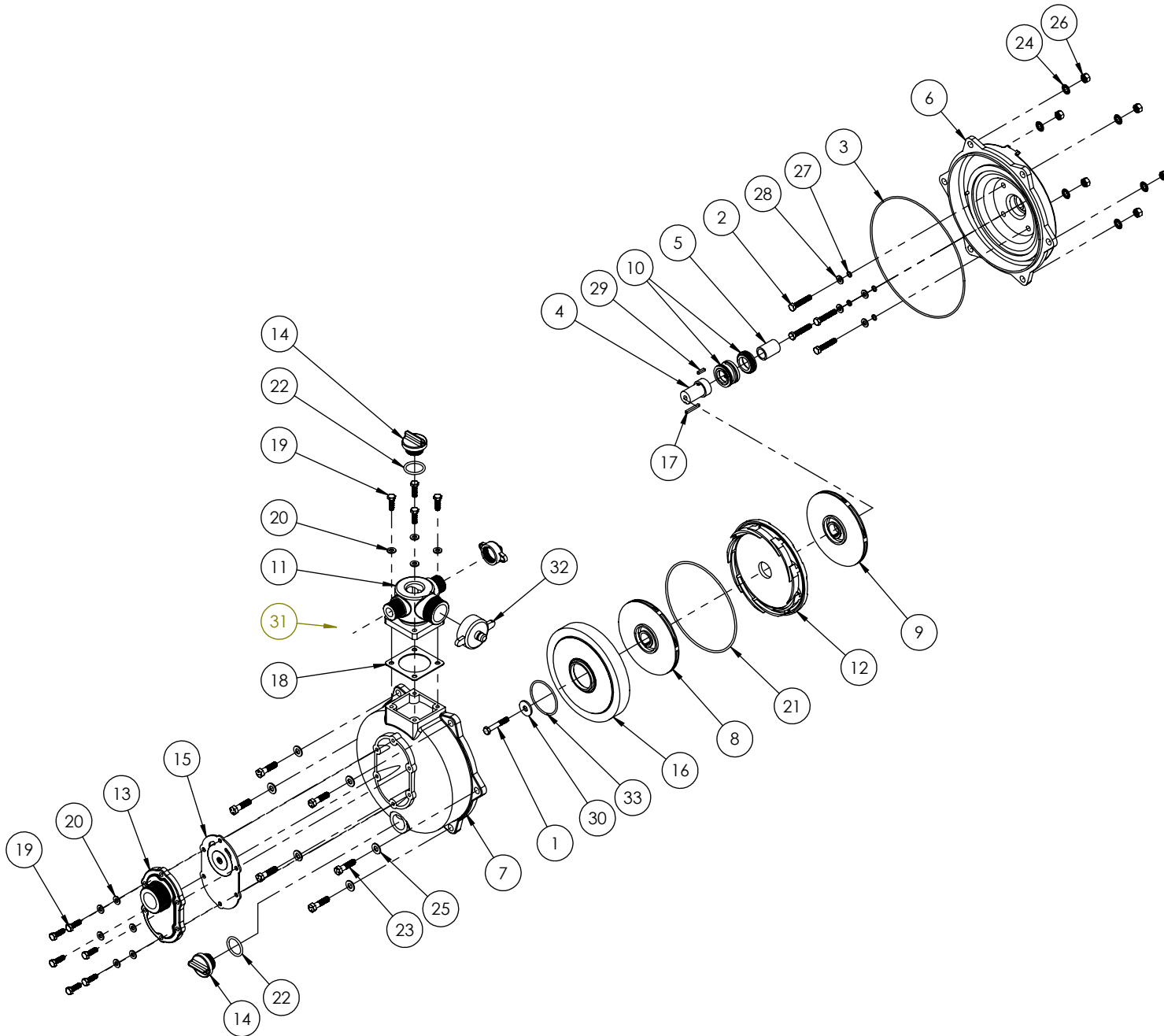
CREATED	TITLE : HT-PPF-6hpHND-M-TW
BY: M.P.	HAND TRUCK FRAME
DATE: 19-02-16	
VERIFIED	No: PO-04TW-0705-A
BY: M.P.	
DATE: 19-02-16	

WARNING

THIS DOCUMENT REMAINS THE PROPERTY OF C.E.T. FIRE PUMPS MFG.

ALL REPRODUCTION WITHOUT WRITTEN AGREEMENT FROM C.E.T. FIRE PUMPS MFG IS TOTALLY PROHIBITED.

A	Version A	01-01-16	M.P.
REV.	DESCRIPTION	DATE	BY



NO	PART NUMBER	DESCRIPTION	QTY
1	022-PP1-414	HEX. BOLT 5/16"-24 x 2" (SS)	1
2	022-PP1-427	HEX. BOLT 5/16"-24 x 1-3/4" (SS)	4
3	052-PP1-001	O-RING	1
4	060-PP1-061	SHAFT EXTENSION	1
5	060-PP1-084	BUSHING	1
6	PO-00TW-2201	CASING	1
7	PO-00TW-2301	COVER	1
8	PO-00TW-2401	FRONT IMPELLER	1
9	PO-00TW-2402	REAR IMPELLER	1
10	PO-00TW-2701	MECHANICAL SEAL	1
11	PO-00TW-2702	MANIFOLD	1
12	PO-00TW-2703	STATOR	1
13	PO-00TW-2801	INTAKE	1
14	PO-00TW-2802	PLUG	2
15	PO-00TW-2803	INTAKE GASKET	1
16	PO-00TW-2804	HIGH PRESSURE IMPELLER COVER	1
17	PO-00TW-2806	IMPELLER KEY	1
18	PO-00TW-2807	MANIFOLD GASKET	1
19	PO-00TW-2808	HEX. BOLT	10
20	PO-00TW-2809	WASHER	10
21	PO-00TW-2810	O-RING	1
22	PO-00TW-2811	O-RING	2
23	PO-00TW-2813	HEX. BOLT	6
24	PO-00TW-2814	INTERNAL LOCK WASHER	6
25	PO-00TW-2815	WASHER	6
26	PO-00TW-2816	HEX. NUT	6
27	PO-00TW-2817	O-RING	4
28	PO-00TW-2818	WASHER	4
29	PO-00TW-2820	SHAFT KEY	1
30	PO-00TW-2822	WASHER	1
31	PO-00TW-2824	1" CAP	1
32	PO-00TW-2825	1-1/2" CAP	1
33	PO-00TW-2826	O-RING	1

	CREATED	TITLE :	GOLIATH PUMP	WARNING THIS DOCUMENT REMAINS THE PROPERTY OF C.E.T. FIRE PUMPS MFG. ALL REPRODUCTION WITHOUT WRITTEN AGREEMENT FROM C.E.T. FIRE PUMPS MFG IS TOTALLY PROHIBITED.
	BY: M.V.		<i>for GX200 HONDA</i>	
	DATE: 08-01-15			
	VERIFIED	No:	PO-00TW-2101	
BY: M.P.				
DATE: 30-10-15				

REV.	DESCRIPTION	DATE	BY