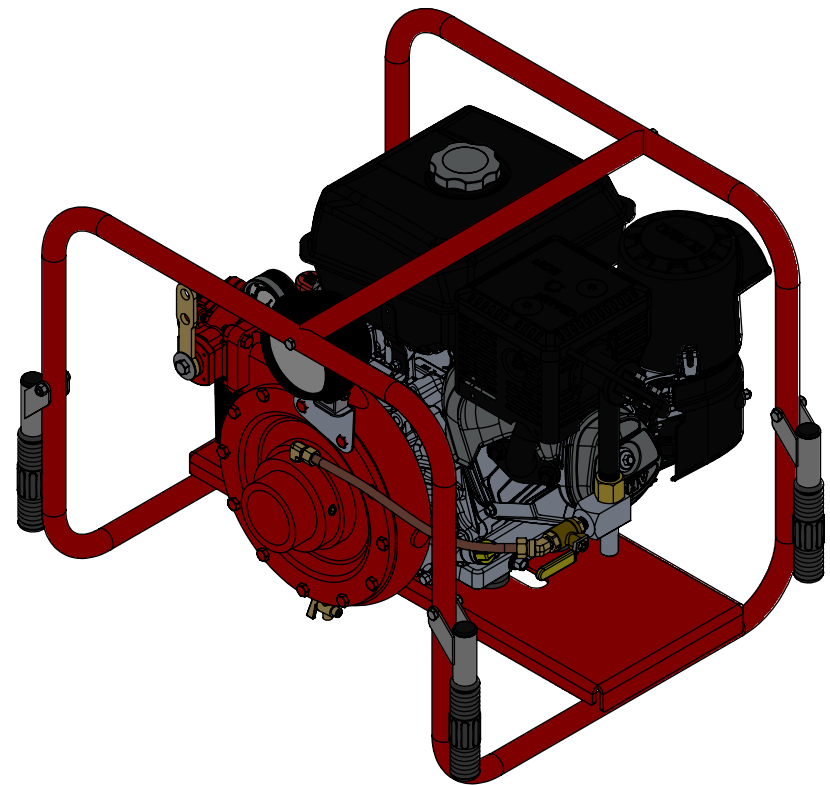
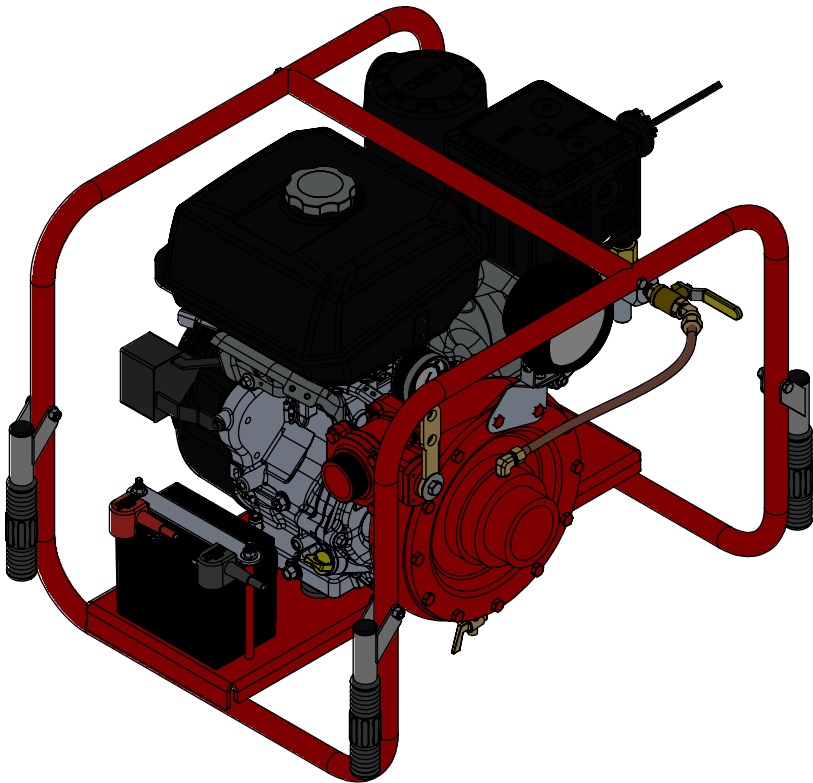
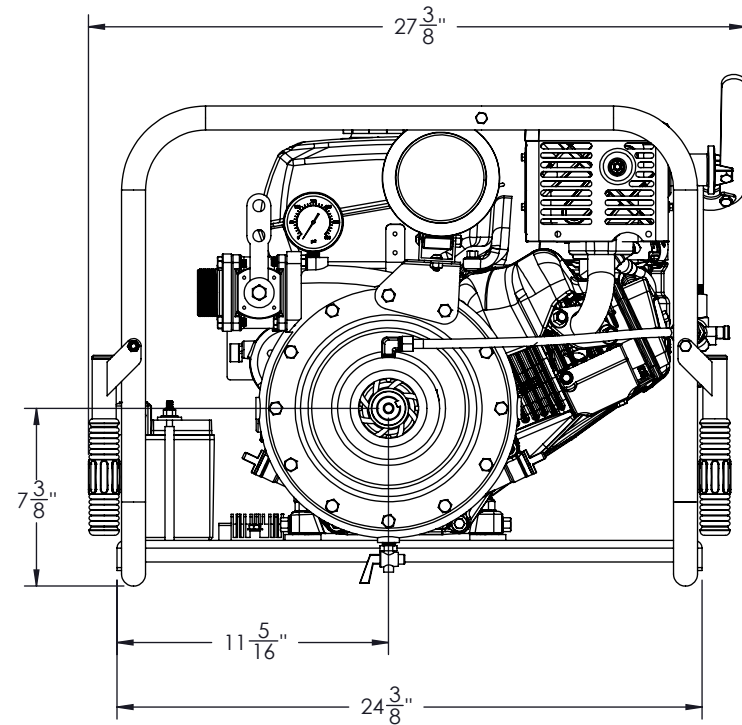
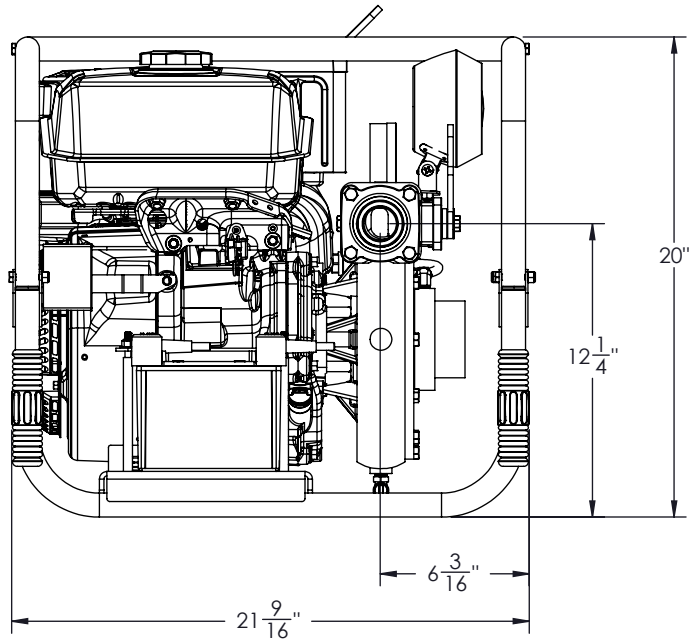


PORTABLE FIRE PUMP
PFP-14hpKHL-EM-MR
CH440 KOHLER WITH MID-RANGE PUMP



WE CAN CUSTOMIZE AS YOU WANT



WET WEIGHT: 162Lbs



nqa.
ISO 9001
Registered
Quality
Management

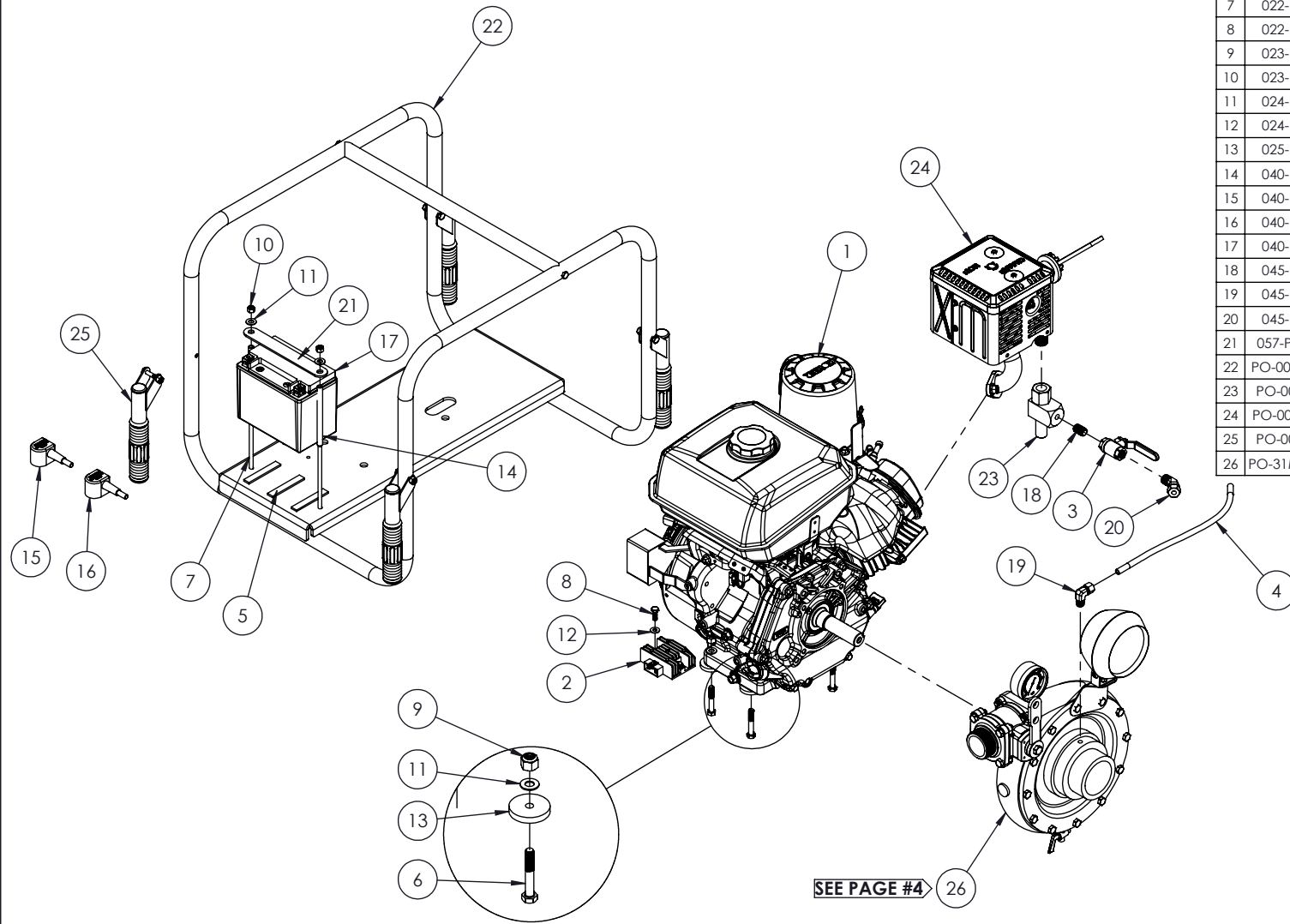
CREATED
BY: T.W.
DATE: 31-08-17
VERIFIED
BY: M.P.
DATE: 31-08-17

TITLE : PFP-14hpKHL-EM-MR
FULL FRAME
No: PO-31MR-0701-A

WARNING

THIS DOCUMENT REMAINS THE PROPERTY OF C.E.T. FIRE PUMPS MFG.
ALL REPRODUCTION WITHOUT WRITTEN AGREEMENT FROM C.E.T. FIRE PUMPS MFG IS TOTALLY PROHIBITED.

REV.	DESCRIPTION	DATE	BY
A	Version A	01-01-16	M.P.



NO	PART NUMBER	DESCRIPTION	QTY
1	001-PP1-037	KOHLER ENGINE 14hp GAS ELECTRIC/MANUAL	1
2	001-PP1-037-2	RECTIFIER	1
3	005-PP1-205	BALL VALVE 1/4" NPT-F	1
4	010-PP1-999	COPPER TUBE 3/8" x 12-1/2"	1
5	020-PP1-008	BATTERY FOAM TAPE 1/2" x 3"	3
6	022-PP1-016	HEX BOLT 5/16"-18 x 2"	4
7	022-PP1-313	HEX. BOLT 1/4"-20 x 6"	2
8	022-PP1-416	HEX. BOLT 1/4"-20 x 3/4" (SS)	2
9	023-PP1-001	HEX. NYLON LOCKNUT 3/8"-16	4
10	023-PP1-006	HEX. NYLON LOCKNUT 1/4"-20	2
11	024-PP1-004	FLAT WASHER 5/16" ID x 3/4" OD	6
12	024-PP1-404	FLAT WASHER 1/4" ID x 5/8" OD (SS)	2
13	025-PP1-015	RUBBER WASHER 0.312" INT x 1.5" EXT. x 1/4" TK	4
14	040-PP1-005	TUBE for BATTERY ROD 1/4" x 4-3/4" RED	2
15	040-PP1-015	BATTERY CABLE CET-R-10	1
16	040-PP1-029	BATTERY CABLE (BLACK)	1
17	040-PP1-075	BATTERY 12v	1
18	045-PP1-112	CLOSE NIPPLE BRASS 1/4" NPT-M	1
19	045-PP1-132	COMP. 90° ELBOW 3/8" TUBE x 1/4" NPT-M	1
20	045-PP1-162	COMP. 45° ELBOW 3/8" TUBE x 1/4" NPT-M	1
21	057-PP1-267A	BATTERY RETAINER PLATE	1
22	PO-0000-1712A	FULL FRAME	1
23	PO-0000-4102	VENTURY	1
24	PO-0000-5704B	MUFFLER	1
25	PO-0000-6601	SMALL HANDLE	4
26	PO-31MR-0801A	PUMP END ACCESSORIES ASSEMBLY	1

SEE PAGE #4



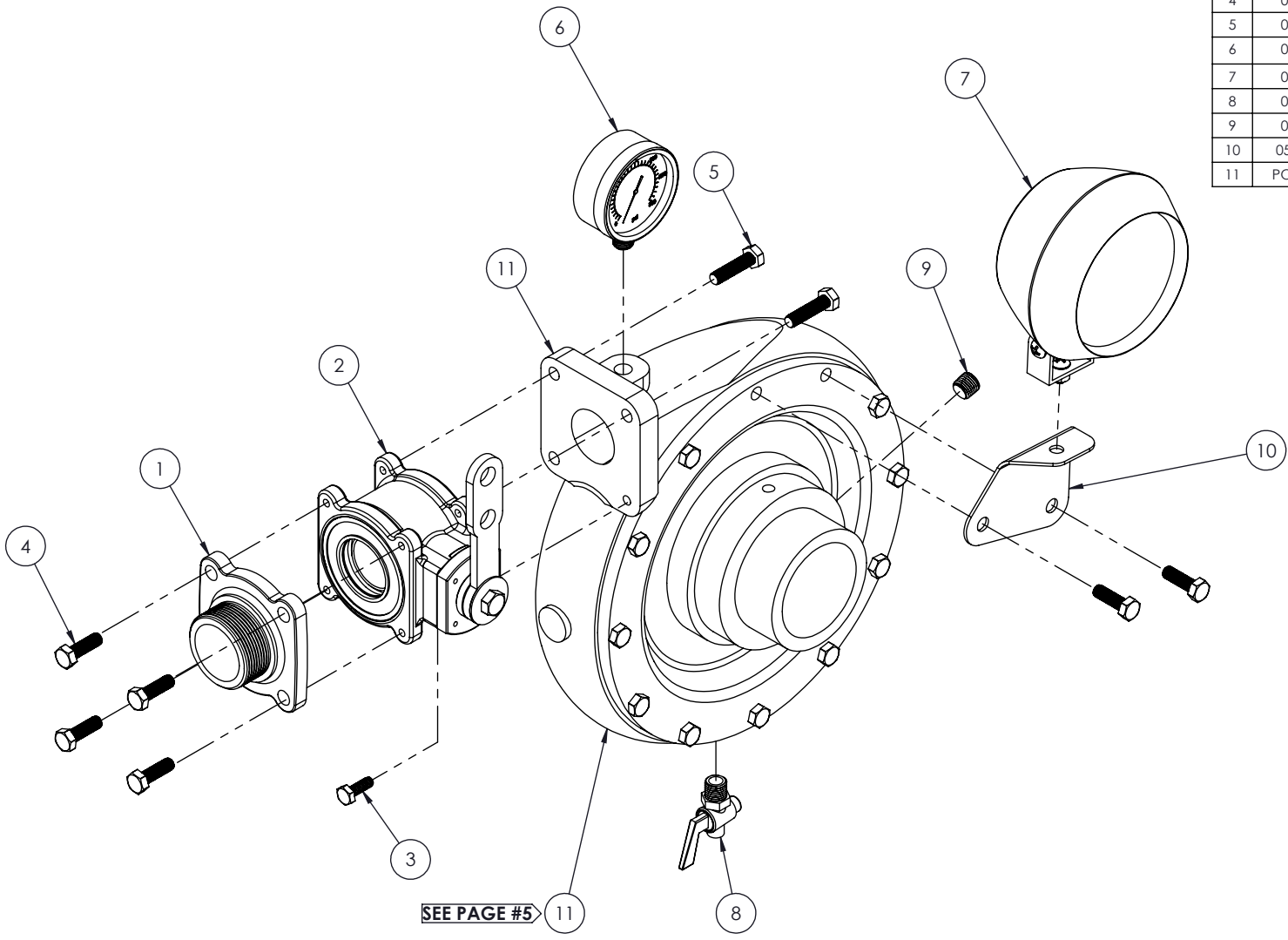
CREATED BY: T.W.
 DATE: 31-08-17
 VERIFIED BY: M.P.
 DATE: 31-08-17

TITLE : PFP-14hpKHL-EM-MR
 FULL FRAME
 No: PO-31MR-0701-A

WARNING
 THIS DOCUMENT REMAINS THE PROPERTY OF C.E.T. FIRE PUMPS MFG.
 ALL REPRODUCTION WITHOUT WRITTEN AGREEMENT FROM C.E.T. FIRE PUMPS MFG IS TOTALLY PROHIBITED.

A	Version A	01-01-16	M.P.
REV.	DESCRIPTION	DATE	BY

NO	PART NUMBER	DESCRIPTION	QTY
1	002-PP1-301	FLANGE 1-1/2" NH-M	1
2	005-PP1-016	FIRE GRADE VALVE 1-1/2"	1
3	022-PP1-006	HEX. BOLT 1/4"-20 x 3/4"	1
4	022-PP1-011	HEX. BOLT 5/16"-18 x 1"	4
5	022-PP1-031	HEX. BOLT 5/16"-18 x 1-1/4"	3
6	034-PP1-020	DRY GAUGE 0/300psi DIA 2" x 1/4CMB	1
7	040-PP1-004	PAR36 LIGHT	1
8	045-PP1-086	DRAIN VALVE 1/4" NPT-M	1
9	045-PP1-101	PLUG HEX COUNTERSUNK 1/4" NPT-M	1
10	057-PP1-029A	LIGHT BRACKET	1
11	PO-31MR-2101	PUMP END ASSEMBLY	1



SEE PAGE #5



nqa.
 ISO 9001
 Registered
 Quality
 Management

CREATED
 BY: T.W.
 DATE: 31-08-17

VERIFIED
 BY: M.P.
 DATE: 31-08-17

TITLE : PUMP END ACCESSORIES ASSEMBLY

PPF-14hpKHL-MR

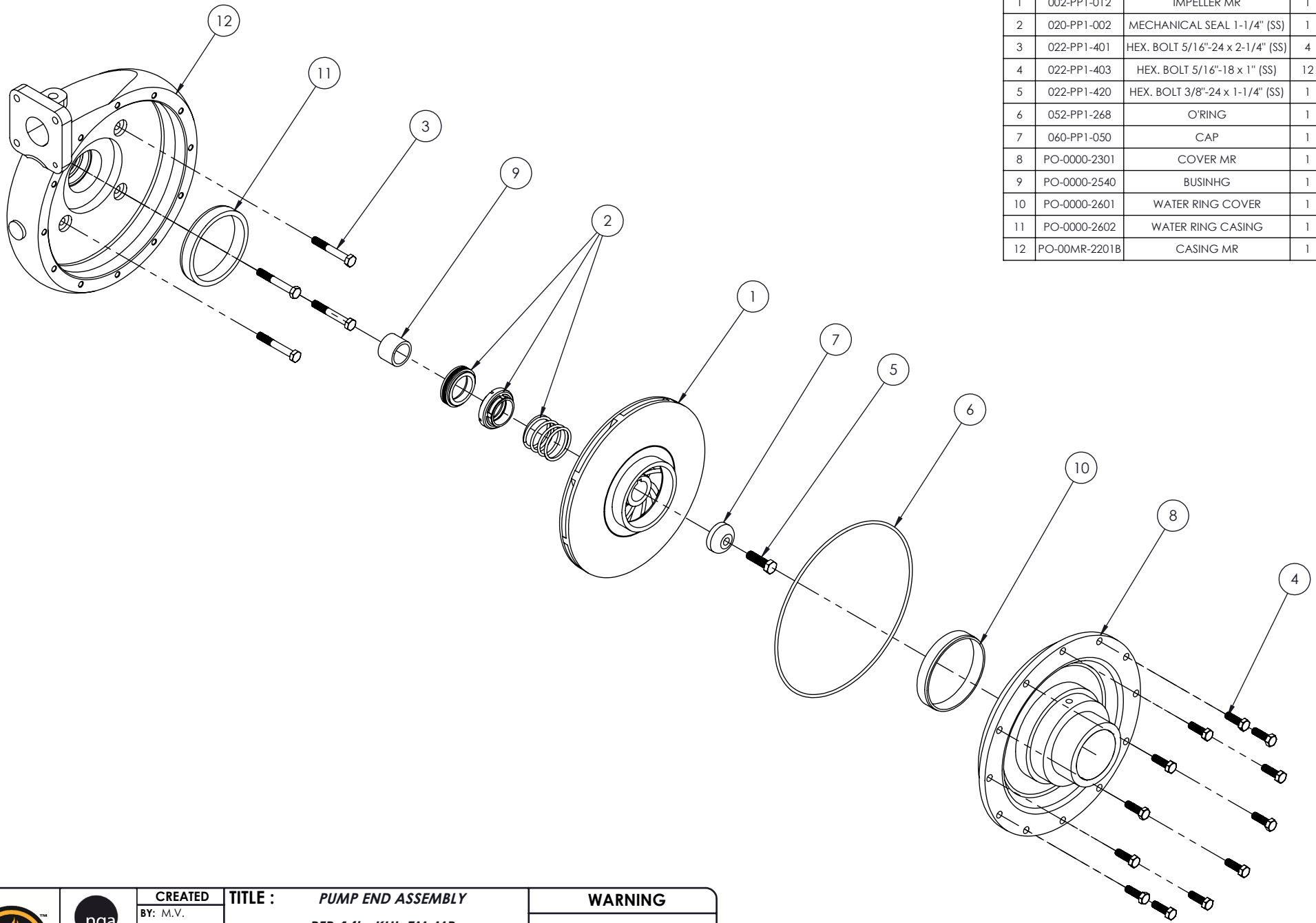
No: PO-31MR-0801A

WARNING

THIS DOCUMENT REMAINS THE PROPERTY OF C.E.T. FIRE PUMPS MFG.

ALL REPRODUCTION WITHOUT WRITTEN AGREEMENT FROM C.E.T. FIRE PUMPS MFG IS TOTALLY PROHIBITED.

REV.	DESCRIPTION	DATE	BY
A	Version A	01-01-16	M.P.



NO	PART NUMBER	DESCRIPTION	QTY
1	002-PP1-012	IMPELLER MR	1
2	020-PP1-002	MECHANICAL SEAL 1-1/4" (SS)	1
3	022-PP1-401	HEX. BOLT 5/16"-24 x 2-1/4" (SS)	4
4	022-PP1-403	HEX. BOLT 5/16"-18 x 1" (SS)	12
5	022-PP1-420	HEX. BOLT 3/8"-24 x 1-1/4" (SS)	1
6	052-PP1-268	O'RING	1
7	060-PP1-050	CAP	1
8	PO-0000-2301	COVER MR	1
9	PO-0000-2540	BUSINHG	1
10	PO-0000-2601	WATER RING COVER	1
11	PO-0000-2602	WATER RING CASING	1
12	PO-00MR-2201B	CASING MR	1



CREATED
 BY: M.V.
 DATE: 19-08-16
VERIFIED
 BY: M.P.
 DATE: 19-08-16

TITLE : PUMP END ASSEMBLY
 PFP-14hpKHL-EM-MR
No: PO-31MR-2101

WARNING

THIS DOCUMENT REMAINS THE PROPERTY OF C.E.T. FIRE PUMPS MFG.
 ALL REPRODUCTION WITHOUT WRITTEN AGREEMENT FROM C.E.T. FIRE PUMPS MFG IS TOTALLY PROHIBITED.

REV.	DESCRIPTION	DATE	BY
A	Version A	01-01-16	M.P.