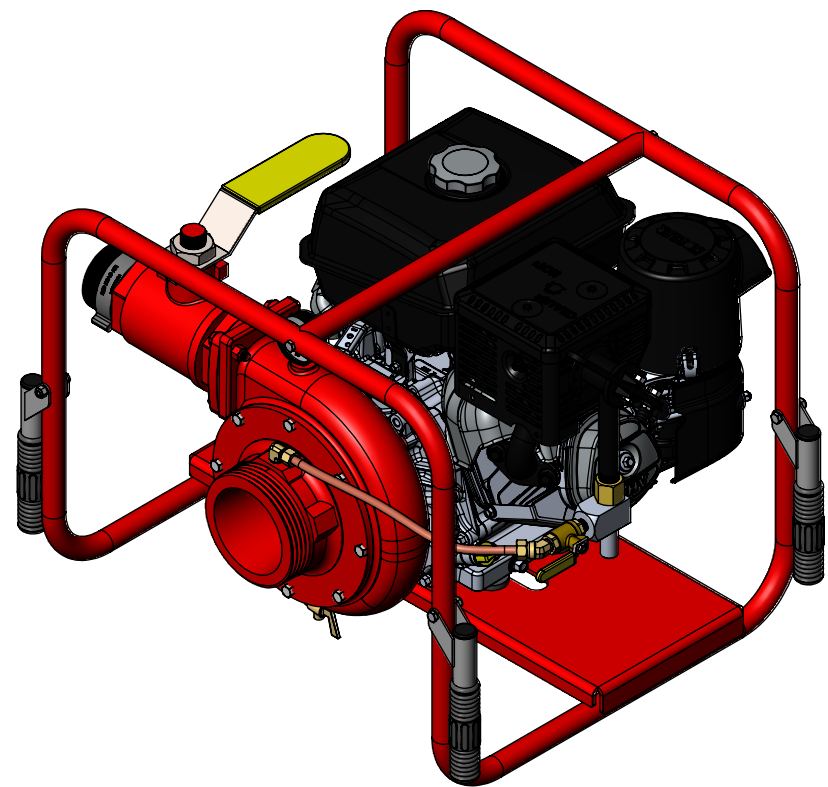
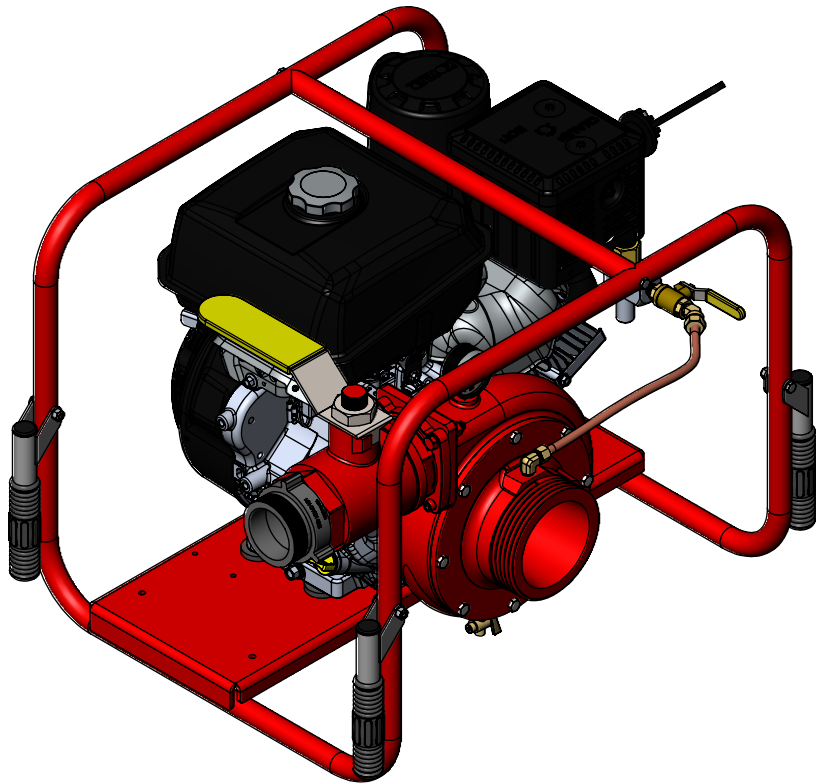
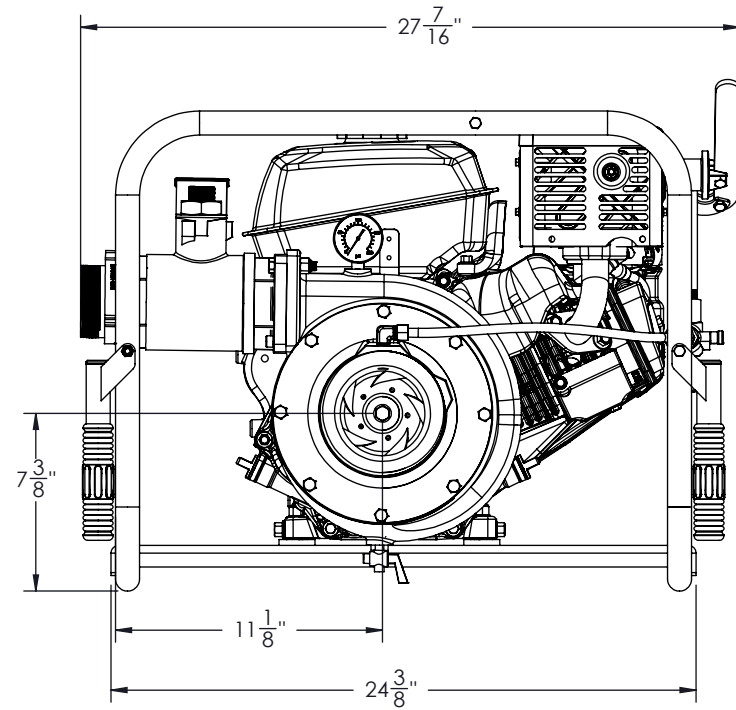
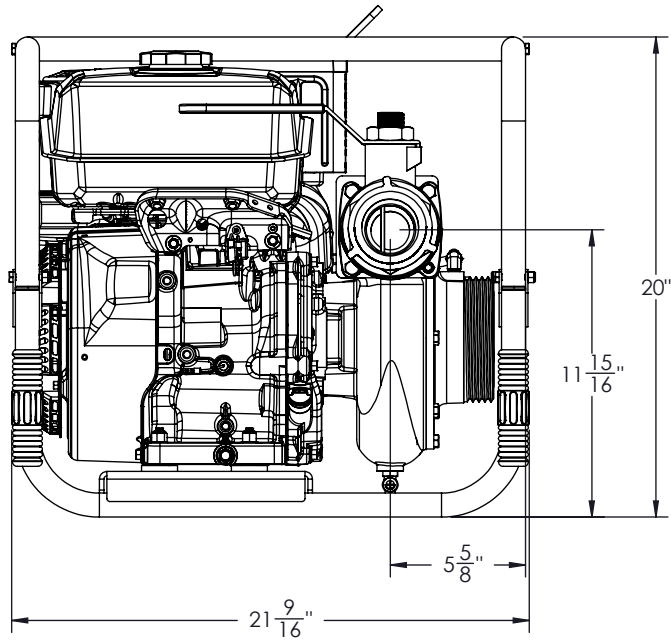


PORTABLE FIRE PUMP
PFP-14hpKHL-M-1D
CH440 KOHLER WITH HIGH-VOLUME PUMP



WE CAN CUSTOMIZE AS YOU WANT



WET WEIGHT:155 LBS



CREATED
BY: T.W.
DATE: 07-08-17
VERIFIED
BY: M.P.
DATE: 10-08-17

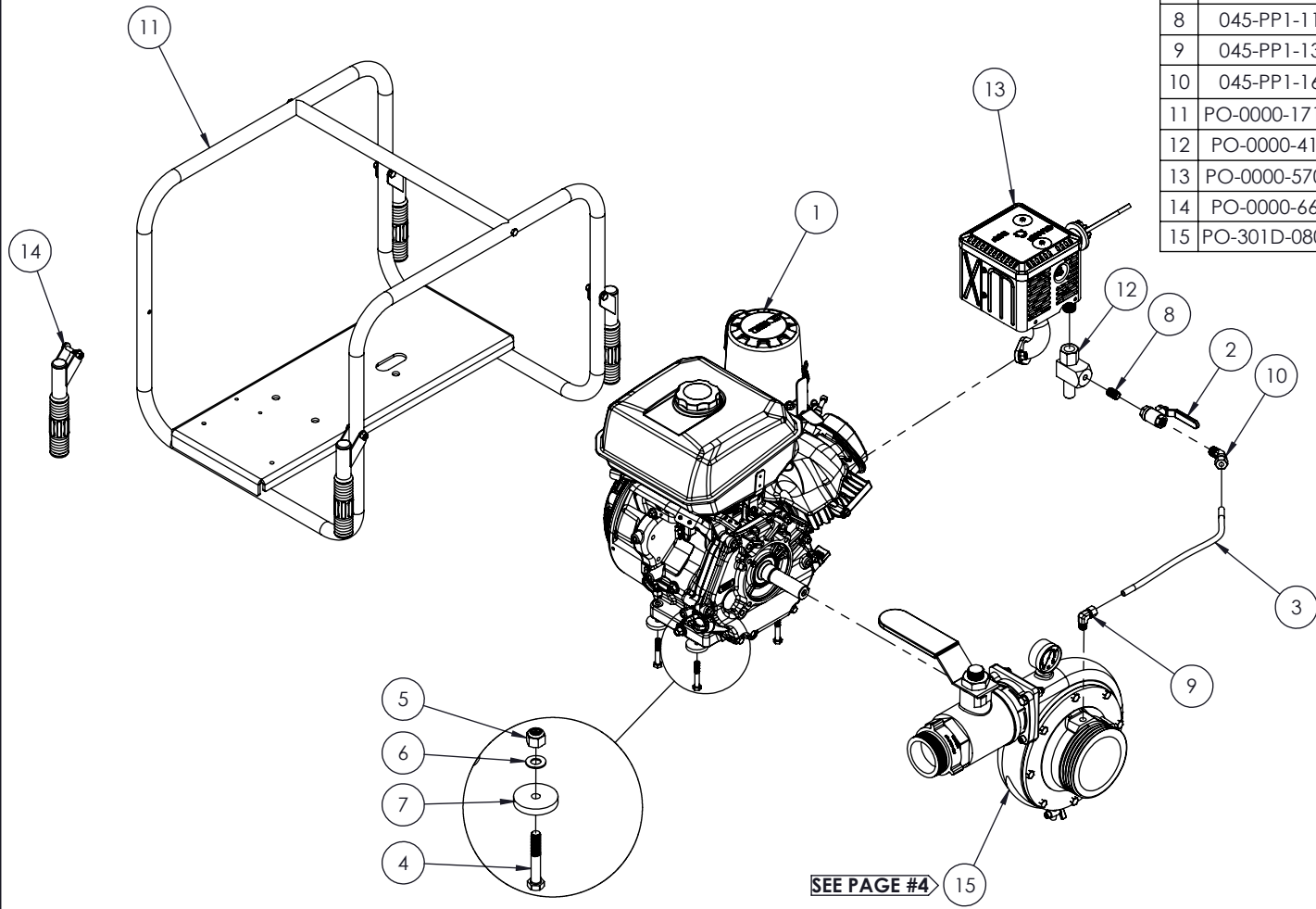
TITLE : PFP-14hpKHL-M-1D
FULL FRAME
No: PO-301D-0701-B

WARNING

THIS DOCUMENT REMAINS THE PROPERTY OF C.E.T. FIRE PUMPS MFG.
ALL REPRODUCTION WITHOUT WRITTEN AGREEMENT FROM C.E.T. FIRE PUMPS MFG IS TOTALLY PROHIBITED.

REV.	DESCRIPTION	DATE	BY
B	CHANGEMENT TURBINE UNIVERSELLE	18-01-16	M.P.
A	Version A	01-01-16	M.P.

NO	PART NAME	DESCRIPTION	QTY
1	001-PP1-036	KOHLER ENGINE 14hp MANUAL	1
2	005-PP1-205	BALL VALVE 1/4" NPT-F	1
3	010-PP1-999	COPPER TUBE 3/8" x 13"	1
4	022-PP1-016	HEX BOLT 5/16"-18 x 2"	4
5	023-PP1-001	HEX. NYLON LOCKNUT 3/8"-16	4
6	024-PP1-004	FLAT WASHER 5/16" ID x 3/4"OD	4
7	025-PP1-015	RUBBER WASHER 0.312" INT x 1.5" EXT. x 1/4" TK	4
8	045-PP1-112	CLOSE NIPPLE BRASS 1/4" NPT-M	1
9	045-PP1-132	COMP. 90° ELBOW 3/8" TUBE x 1/4" NPT-M	1
10	045-PP1-162	COMP. 45° ELBOW 3/8" TUBE x 1/4" NPT-M	1
11	PO-0000-1712A	FULL FRAME	1
12	PO-0000-4102	VENTURY	1
13	PO-0000-5704B	MUFFLER	1
14	PO-0000-6601	SMALL HANDLE	4
15	PO-301D-0801A	PUMP END ASSEMBLY	1



SEE PAGE #4



nqa.
ISO 9001
Registered
Quality
Management

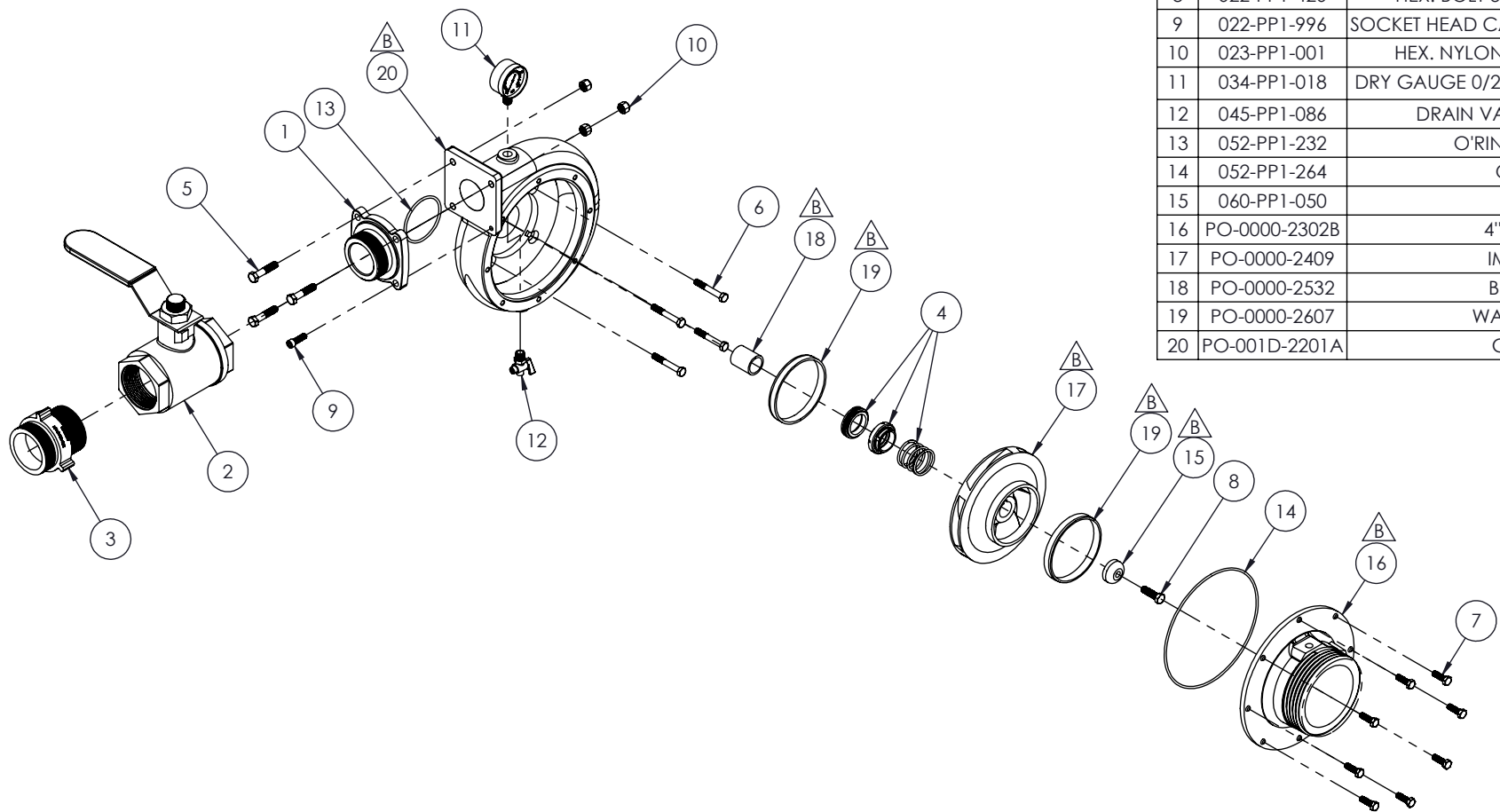
CREATED
BY: T.W.
DATE: 07-08-17
VERIFIED
BY: M.P.
DATE: 10-08-17

TITLE : PFP-14hpKHL-M-1D
FULL FRAME
No: PO-301D-0701-B

WARNING
THIS DOCUMENT REMAINS THE PROPERTY OF C.E.T. FIRE PUMPS MFG.
ALL REPRODUCTION WITHOUT WRITTEN AGREEMENT FROM C.E.T. FIRE PUMPS MFG IS TOTALLY PROHIBITED.

REV.	DESCRIPTION	DATE	BY
B	CHANGEMENT TURBINE UNIVERSELLE	18-01-16	M.P.
A	Version A	01-01-16	M.P.

NO	PART NUMBER	DESCRIPTION	QTY
1	002-PP1-302	FLANGE 2-1/2" NPT-M	1
2	005-PP1-201	BALL VALVE 2-1/2" NPT-F	1
3	015-PP1-119	ADAPTER	1
4	020-PP1-002	MECHANICAL SEAL 1-1/4" (SS)	1
5	022-PP1-010	HEX. BOLT 3/8"-16 x 2" (Gr.5 ZINC)	3
6	022-PP1-401	HEX. BOLT 5/16"-24 x 2-1/4" (SS)	4
7	022-PP1-403	HEX. BOLT 5/16"-18 x 1" (SS)	8
8	022-PP1-420	HEX. BOLT 3/8"-24 x 1-1/4" (SS)	1
9	022-PP1-996	SOCKET HEAD CAP SCREW 5/16"-18 x 1"	1
10	023-PP1-001	HEX. NYLON LOCKNUT 3/8"-16	3
11	034-PP1-018	DRY GAUGE 0/200psi DIA 2" x 1/4CMB	1
12	045-PP1-086	DRAIN VALVE 1/4" NPT-M	1
13	052-PP1-232	O'RING 2-232 AB	1
14	052-PP1-264	O'RING	1
15	060-PP1-050	CAP	1
16	PO-0000-2302B	4" COVER	1
17	PO-0000-2409	IMPELLER	1
18	PO-0000-2532	BUSHING	1
19	PO-0000-2607	WATER RING	2
20	PO-001D-2201A	CASING	1



CREATED
BY: M.P.
DATE: 25-10-16
VERIFIED
BY: M.P.
DATE: 25-10-16

TITLE : **PUMP END ASSEMBLY**
14hp KOHLER
No: **PO-301D-0801A**

WARNING
THIS DOCUMENT REMAINS THE PROPERTY OF C.E.T. FIRE PUMPS MFG.
ALL REPRODUCTION WITHOUT WRITTEN AGREEMENT FROM C.E.T. FIRE PUMPS MFG IS TOTALLY PROHIBITED.

REV.	DESCRIPTION	DATE	BY
B	CHANGEMENT TURBINE UNIVERSELLE	18-01-16	M.P.
A	Version A	01-01-16	M.P.