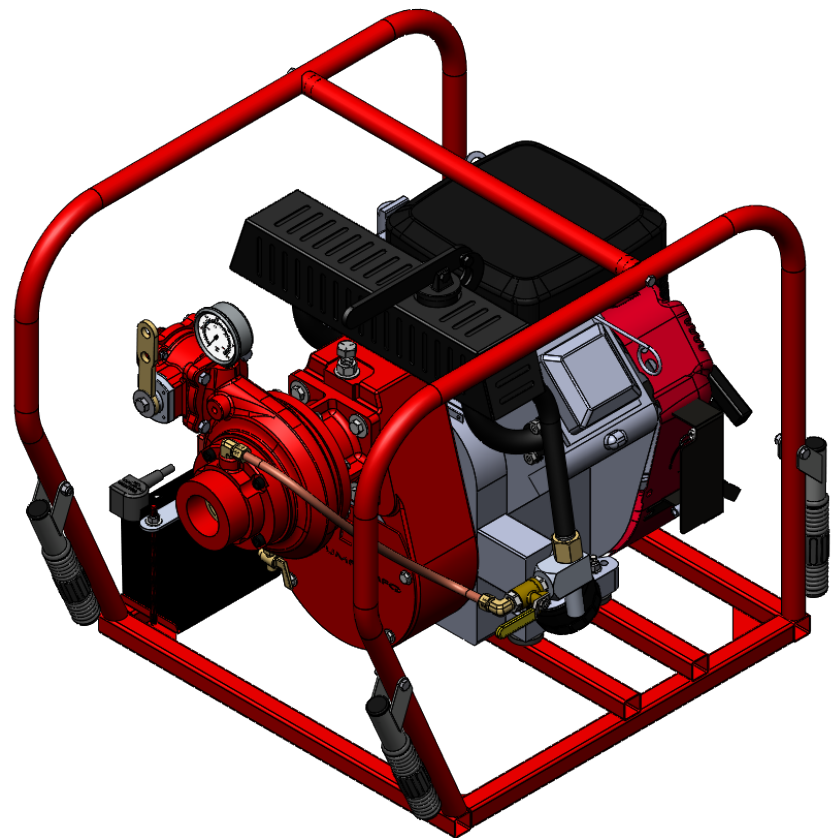
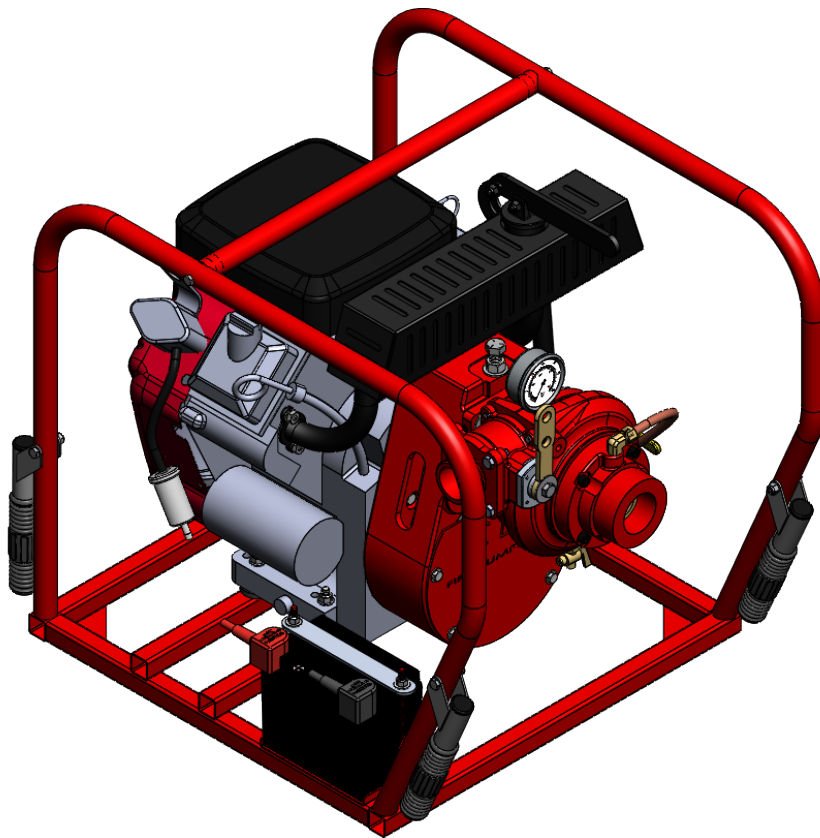
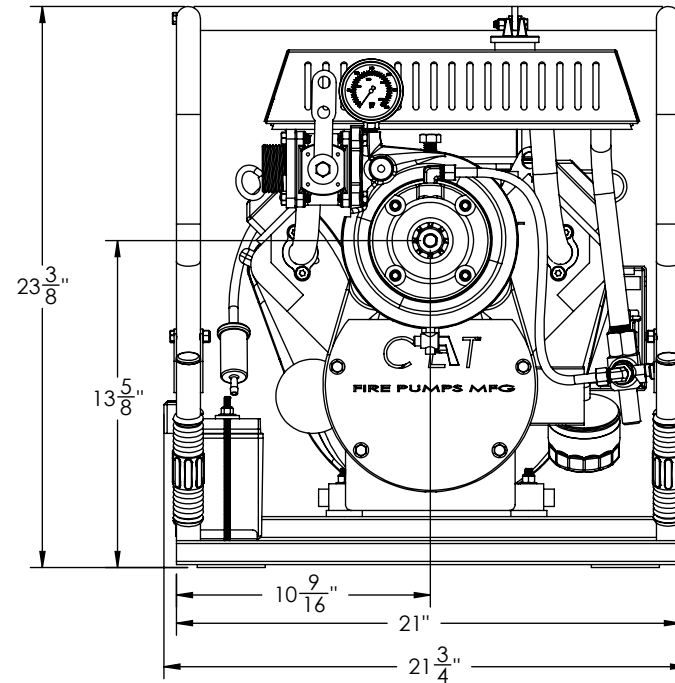
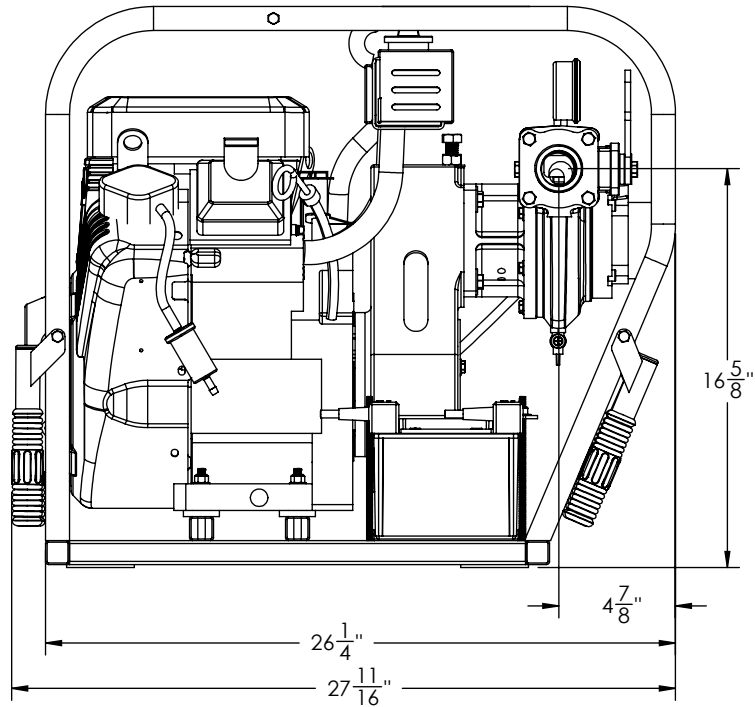



**PORTABLE FIRE PUMP**  
**PFP-18hpVGD-HP**  
**350000 VANGUARD WITH HIGH-PRESSURE PUMP**

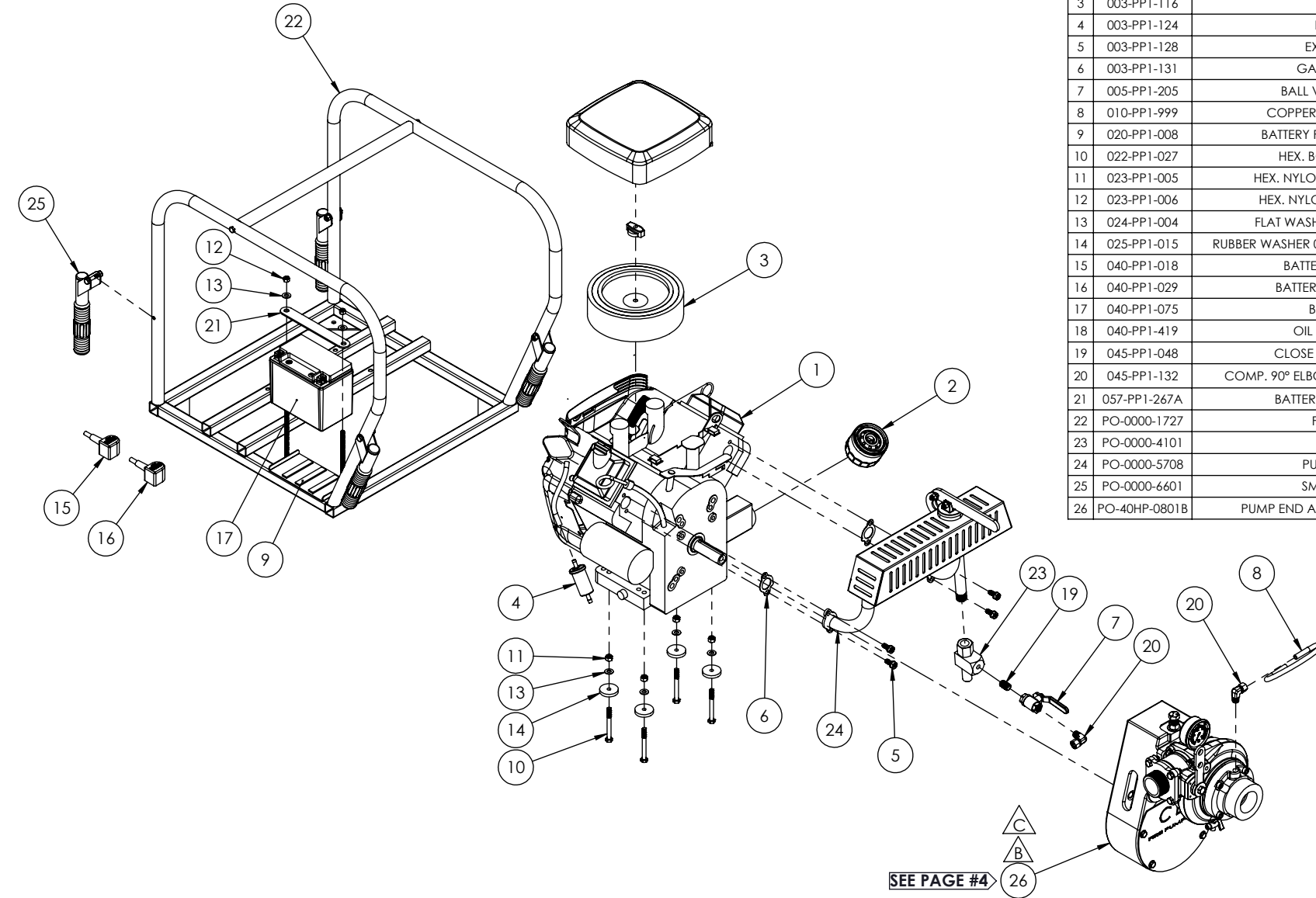


**WE CAN CUSTOMIZE AS YOU WANT**




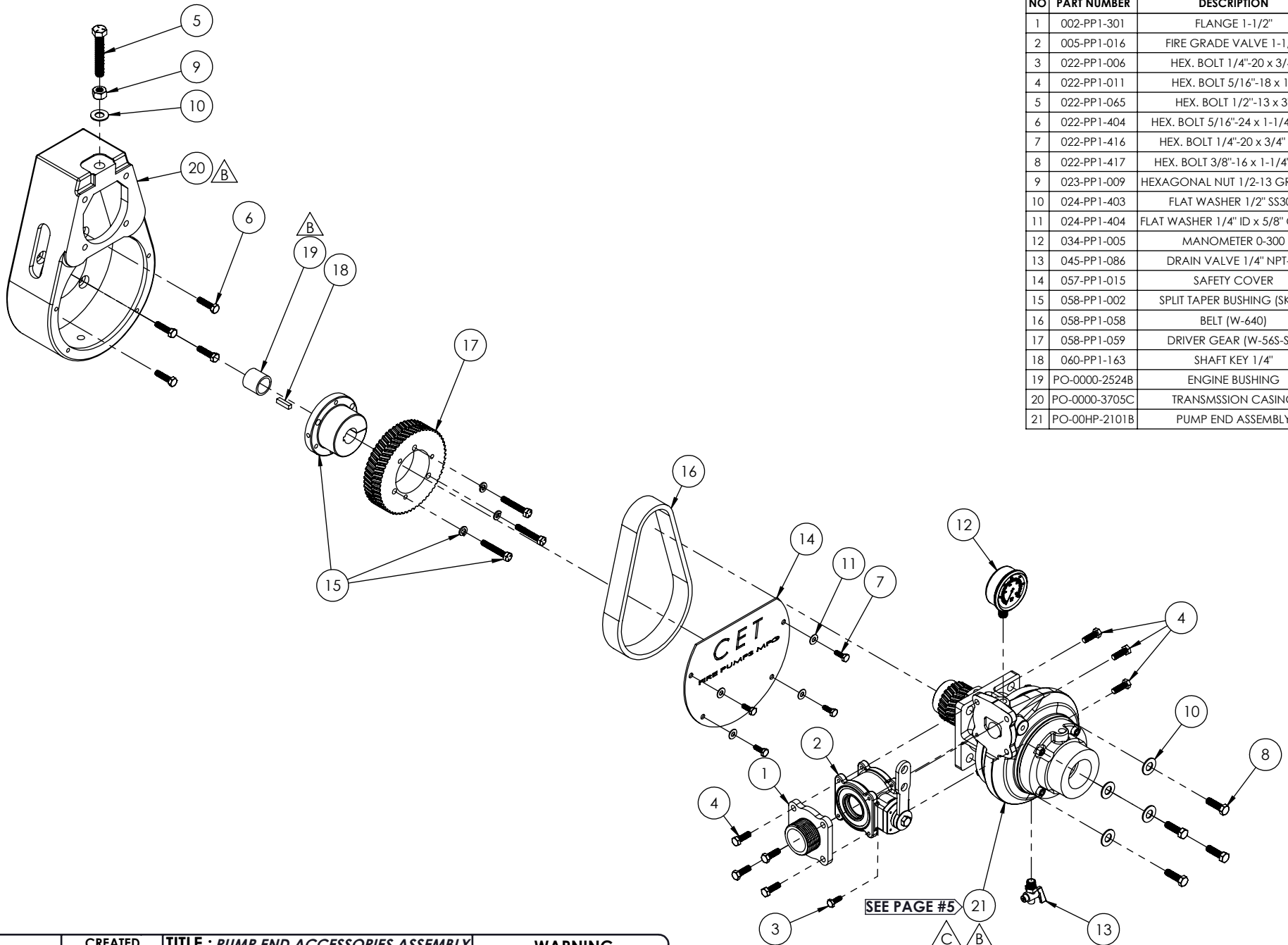
**WET WEIGHT: 162 lbs**

	<b>CREATED</b> BY: T.F. DATE: 29-06-18	<b>TITLE :</b> PFP-18hpVGD - HP FULL FRAME	<b>WARNING</b>  THIS DOCUMENT REMAINS THE PROPERTY OF C.E.T. FIRE PUMPS MFG.  ALL REPRODUCTION WITHOUT WRITTEN AGREEMENT FROM C.E.T. FIRE PUMPS MFG IS TOTALLY PROHIBITED.	C	NEW MECHANICAL SEAL	22-08-18	M.P.
	<b>VERIFIED</b> BY: M.P. DATE: 29-06-18	<b>No:</b> PO-40HP-0701-C		B	DRIVEN GEAR CHANGE FROM 28 TO 25 TEETH	15-09-15	M.P.
				A	Version A	01-01-15	M.P.
				REV.	DESCRIPTION	DATE	BY



NO	PART NUMBER	DESCRIPTION	QTY
1	001-PP1-015	VANGUARD ENGINE, ELECTRIC/MANUAL 18hp GAS	1
2	003-PP1-097	OIL FILTER	1
3	003-PP1-116	AIR FILTER	1
4	003-PP1-124	FUEL FILTER	1
5	003-PP1-128	EXHAUST BOLT	4
6	003-PP1-131	GASKET EXHAUST	2
7	005-PP1-205	BALL VALVE 1/4" NPT-F	1
8	010-PP1-999	COPPER TUBE 3/8" x 16-3/4"	1
9	020-PP1-008	BATTERY FOAM TAPE 1/2" x 3"	3
10	022-PP1-027	HEX. BOLT 5/16"-18 x 3"	4
11	023-PP1-005	HEX. NYLON LOCK NUT 5/16"-18	4
12	023-PP1-006	HEX. NYLON LOCKNUT 1/4"-20	2
13	024-PP1-004	FLAT WASHER 5/16" ID x 3/4"OD	6
14	025-PP1-015	RUBBER WASHER 0.312" INT x 1.5" EXT. x 1/4" TK	4
15	040-PP1-018	BATTERY CABLE (RED)	1
16	040-PP1-029	BATTERY CABLE (BLACK)	1
17	040-PP1-075	BATTERY 12v	1
18	040-PP1-419	OIL RED LIGHT 12v	1
19	045-PP1-048	CLOSE NIPPLE 1/4 NPT-M	1
20	045-PP1-132	COMP. 90° ELBOW 3/8" TUBE x 1/4" NPT-M	2
21	057-PP1-267A	BATTERY RETAINER PLATE	1
22	PO-0000-1727	FULL FRAME	1
23	PO-0000-4101	VENTURY	1
24	PO-0000-5708	PUMP MUFFLER	1
25	PO-0000-6601	SMALL HANDLE	4
26	PO-40HP-0801B	PUMP END ACCESSORIES ASSEMBLY	1

	<b>CREATED</b> BY: T.F. DATE: 29-06-18	<b>TITLE :</b> PFP-18hpVGD - HP FULL FRAME	<b>WARNING</b> THIS DOCUMENT REMAINS THE PROPERTY OF C.E.T. FIRE PUMPS MFG. ALL REPRODUCTION WITHOUT WRITTEN AGREEMENT FROM C.E.T. FIRE PUMPS MFG IS TOTALLY PROHIBITED.	C NEW MECHANICAL SEAL 22-08-18 M.P.
	<b>VERIFIED</b> BY: M.P. DATE: 29-06-18	<b>No:</b> PO-40HP-0701-C		B DRIVEN GEAR CHANGE FROM 28 TO 25 TEETH 15-09-15 M.P.
				A Version A 01-01-15 M.P.
				REV. DESCRIPTION DATE BY



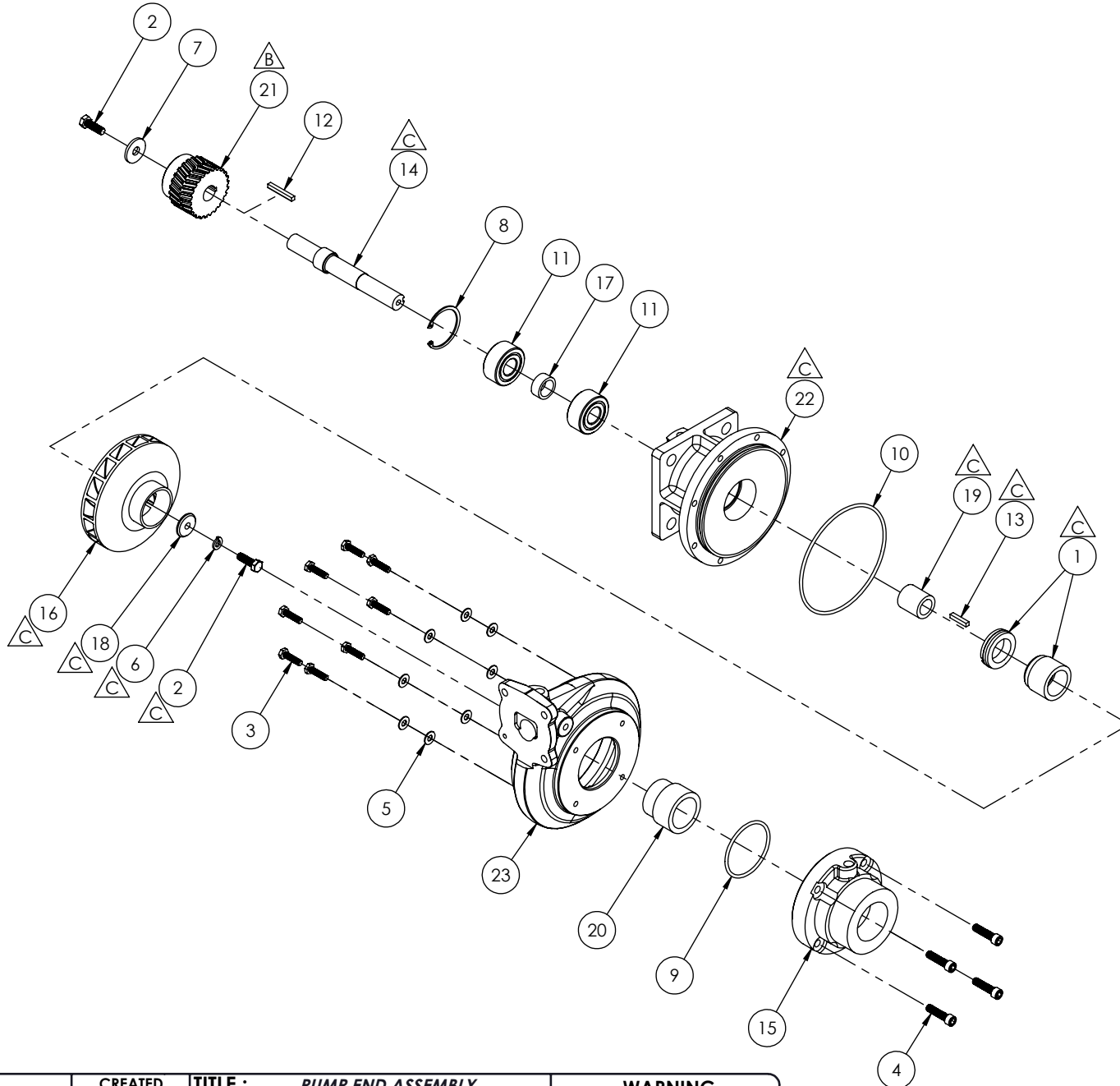
NO	PART NUMBER	DESCRIPTION	QTY
1	002-PP1-301	FLANGE 1-1/2"	1
2	005-PP1-016	FIRE GRADE VALVE 1-1/2"	1
3	022-PP1-006	HEX. BOLT 1/4"-20 x 3/4"	1
4	022-PP1-011	HEX. BOLT 5/16"-18 x 1"	7
5	022-PP1-065	HEX. BOLT 1/2"-13 x 3"	1
6	022-PP1-404	HEX. BOLT 5/16"-24 x 1-1/4" (SS)	4
7	022-PP1-416	HEX. BOLT 1/4"-20 x 3/4" (SS)	4
8	022-PP1-417	HEX. BOLT 3/8"-16 x 1-1/4" (SS)	4
9	023-PP1-009	HEXAGONAL NUT 1/2-13 GR5 ZINC	1
10	024-PP1-403	FLAT WASHER 1/2" SS304	5
11	024-PP1-404	FLAT WASHER 1/4" ID x 5/8" OD (SS)	4
12	034-PP1-005	MANOMETER 0-300	1
13	045-PP1-086	DRAIN VALVE 1/4" NPT-M	1
14	057-PP1-015	SAFETY COVER	1
15	058-PP1-002	SPLIT TAPER BUSHING (SKX1)	1
16	058-PP1-058	BELT (W-640)	1
17	058-PP1-059	DRIVER GEAR (W-56S-SK)	1
18	060-PP1-163	SHAFT KEY 1/4"	1
19	PO-0000-2524B	ENGINE BUSHING	1
20	PO-0000-3705C	TRANSMSSION CASING	1
21	PO-00HP-2101B	PUMP END ASSEMBLY	1



<b>CREATED</b>	<b>TITLE : PUMP END ACCESSORIES ASSEMBLY</b>
BY: M.P. DATE: 21-09-16	<b>18hpVGD-HP</b>
<b>VERIFIED</b>	<b>No:</b>
BY: M.P. DATE: 21-09-16	<b>PO-40HP-0801B</b>

**WARNING**  
 THIS DOCUMENT REMAINS THE PROPERTY OF C.E.T. FIRE PUMPS MFG.  
 ALL REPRODUCTION WITHOUT WRITTEN AGREEMENT FROM C.E.T. FIRE PUMPS MFG IS TOTALLY PROHIBITED.

C	NEW MECHANICAL SEAL	22-08-18	M.P.
B	DRIVEN GEAR CHANGE FROM 28 TO 25 TEETH	15-09-15	M.P.
A	Version A	01-01-15	M.P.
REV.	DESCRIPTION	DATE	BY



NO	PART NUMBER	DESCRIPTION	QTY
1	020-PP1-021	MECHANICAL SEAL	1
2	022-PP1-403	HEX. BOLT 5/16"-18 x 1" (SS)	2
3	022-PP1-410	HEX. BOLT 1/4"-20 x 1" (SS)	8
4	022-PP1-872	SOCKET HEAD CAP SCREW 5/16"-18 x 1-1/4"	4
5	024-PP1-404	FLAT WASHER 1/4" ID x 5/8" OD (SS)	8
6	024-PP1-410	SPLIT LOCK WASHER 5/16" SS	1
7	024-PP1-420	WASHER	1
8	025-PP1-040	RETAINING RING	1
9	052-PP1-230	O'RING 2-230 AB	1
10	052-PP1-251	O-RING	1
11	058-PP1-001	BEARING	2
12	060-PP1-241	KEY SHAFT 3/16" x 3/16" x 1.5"	1
13	060-PP1-241	KEY SHAFT 3/16" x 3/16" x 1"	1
14	060-PP1-276	SHAFT	1
15	PO-0000-2303	COVER	1
16	PO-0000-2418	IMPELLER	1
17	PO-0000-2509	BUSHING	1
18	PO-0000-2544	CAP	1
19	PO-0000-2545	BUSHING	1
20	PO-0000-2603	WATER RING	1
21	PO-0000-2701	DRIVEN GEAR (W-25S-MPB)	1
22	PO-0000-3710	BELL HOUSING	1
23	PO-00HP-2201	CASING	1



**CREATED**  
 BY: M.P.  
 DATE: 13-05-19  
**VERIFIED**  
 BY: M.P.  
 DATE: 13-05-19

**TITLE :** PUMP END ASSEMBLY  
 18 TO 23hp - HP  
**No:** PO-00HP-2101B

**WARNING**  
 THIS DOCUMENT REMAINS THE PROPERTY OF C.E.T. FIRE PUMPS MFG.  
 ALL REPRODUCTION WITHOUT WRITTEN AGREEMENT FROM C.E.T. FIRE PUMPS MFG IS TOTALLY PROHIBITED.

REV.	DESCRIPTION	DATE	BY
C	NEW MECHANICAL SEAL	22-08-18	M.P.
B	DRIVEN GEAR CHANGE FROM 28 TO 25 TEETH	15-09-15	M.P.
A	Version A	01-01-15	M.P.