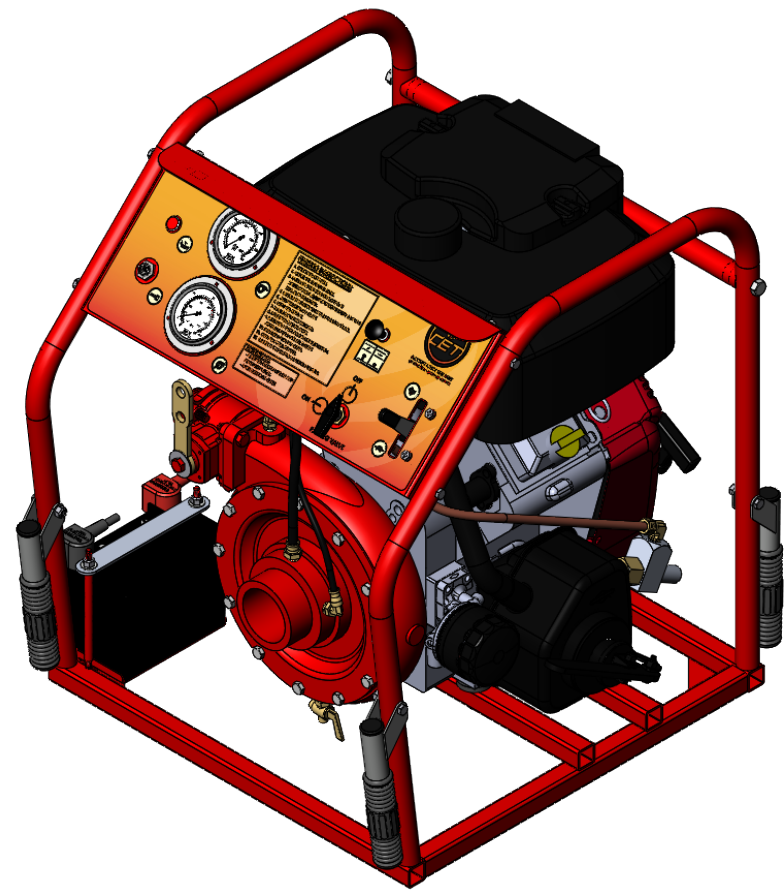
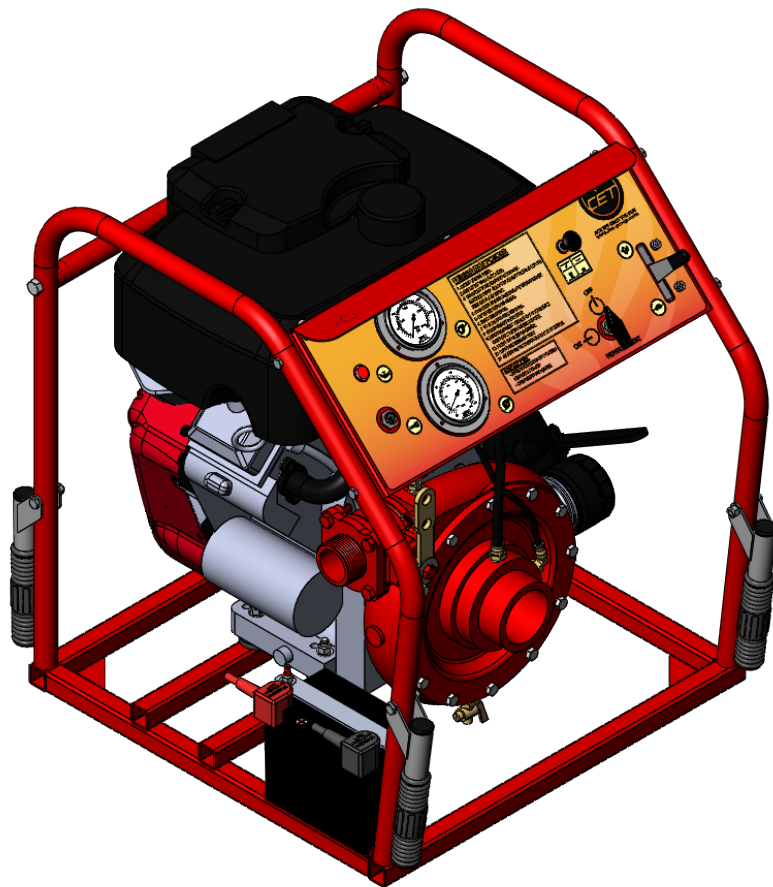
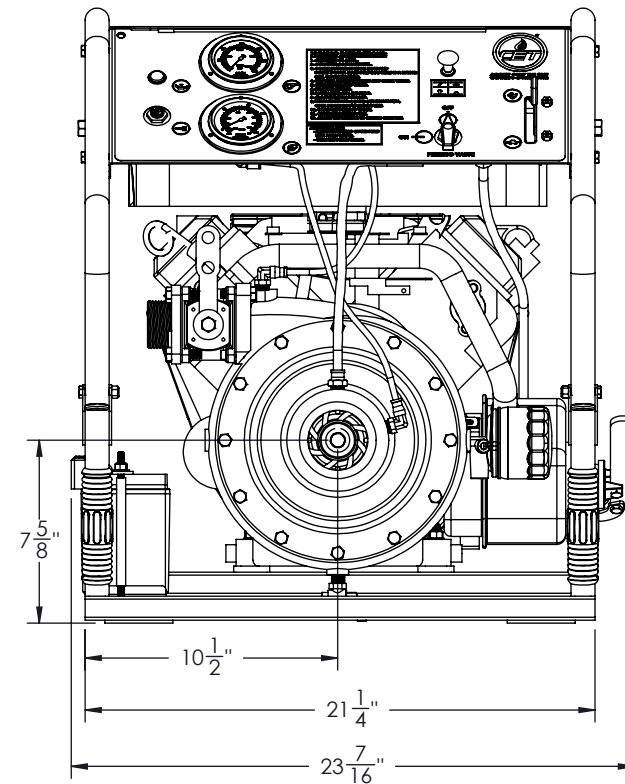
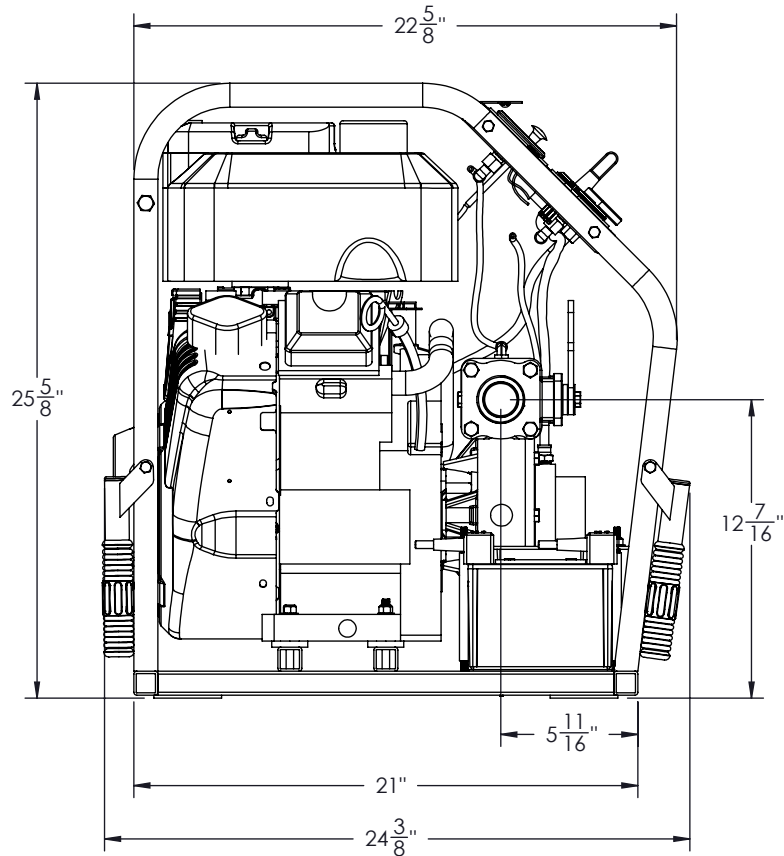


PORTABLE FIRE PUMP
PFP-18hpVGD-MR-CE
350000 VANGUARD WITH MID-RANGE PUMP



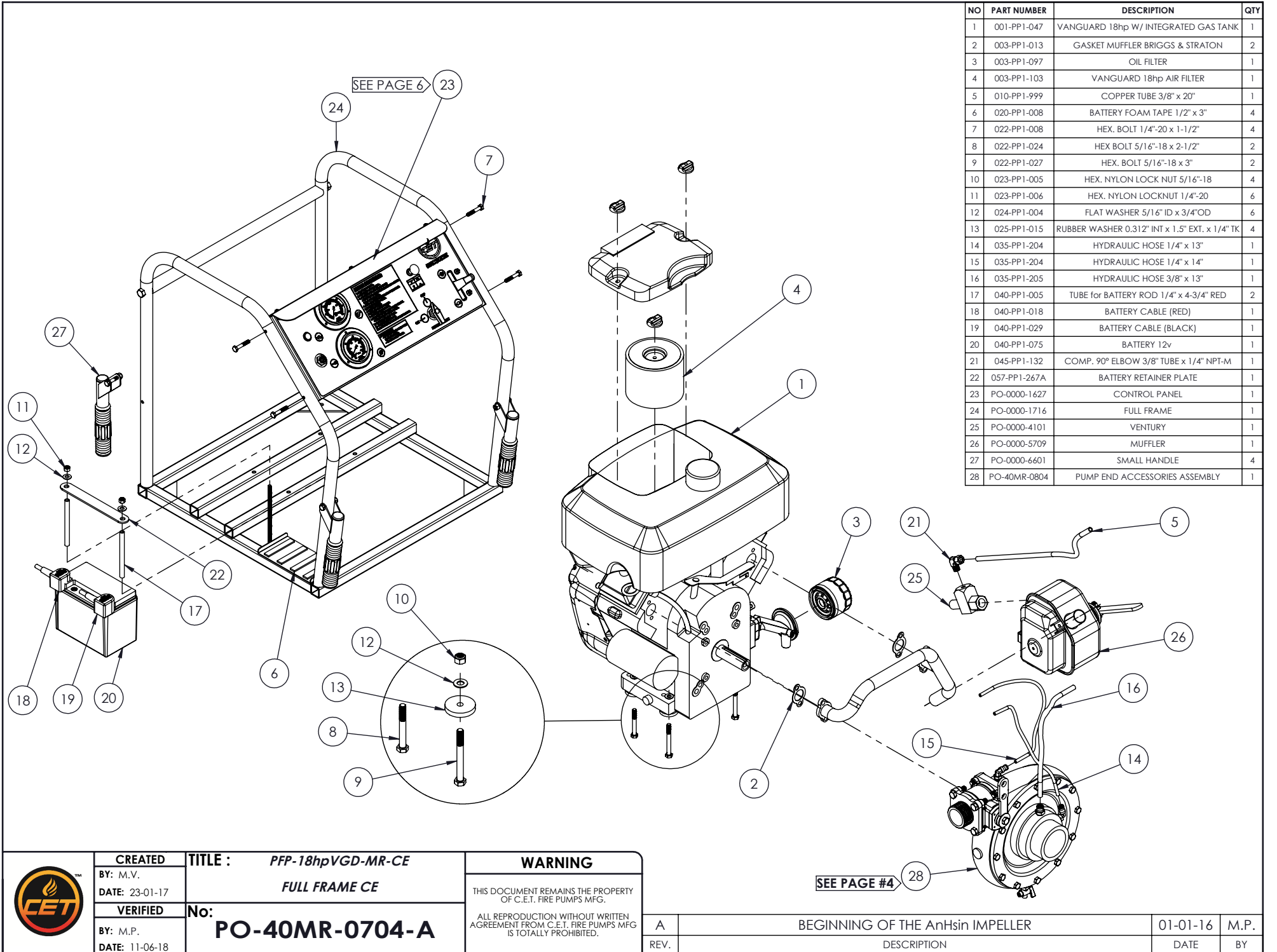
WE CAN CUSTOMIZE AS YOU WANT



WEIGHT: 170 Lbs

	CREATED BY: M.V. DATE: 23-01-17	TITLE : PFP-18hpVGD-MR-CE FULL FRAME CE	WARNING THIS DOCUMENT REMAINS THE PROPERTY OF C.E.T. FIRE PUMPS MFG. ALL REPRODUCTION WITHOUT WRITTEN AGREEMENT FROM C.E.T. FIRE PUMPS MFG IS TOTALLY PROHIBITED.
	VERIFIED BY: M.P. DATE: 11-06-18	No: PO-40MR-0704-A	

A	BEGINNING OF THE AnHsin IMPELLER	01-01-16	M.P.
REV.	DESCRIPTION	DATE	BY



NO	PART NUMBER	DESCRIPTION	QTY
1	001-PP1-047	VANGUARD 18hp W/ INTEGRATED GAS TANK	1
2	003-PP1-013	GASKET MUFFLER BRIGGS & STRATON	2
3	003-PP1-097	OIL FILTER	1
4	003-PP1-103	VANGUARD 18hp AIR FILTER	1
5	010-PP1-999	COPPER TUBE 3/8" x 20"	1
6	020-PP1-008	BATTERY FOAM TAPE 1/2" x 3"	4
7	022-PP1-008	HEX. BOLT 1/4"-20 x 1-1/2"	4
8	022-PP1-024	HEX BOLT 5/16"-18 x 2-1/2"	2
9	022-PP1-027	HEX. BOLT 5/16"-18 x 3"	2
10	023-PP1-005	HEX. NYLON LOCK NUT 5/16"-18	4
11	023-PP1-006	HEX. NYLON LOCKNUT 1/4"-20	6
12	024-PP1-004	FLAT WASHER 5/16" ID x 3/4"OD	6
13	025-PP1-015	RUBBER WASHER 0.312" INT x 1.5" EXT. x 1/4" TK	4
14	035-PP1-204	HYDRAULIC HOSE 1/4" x 13"	1
15	035-PP1-204	HYDRAULIC HOSE 1/4" x 14"	1
16	035-PP1-205	HYDRAULIC HOSE 3/8" x 13"	1
17	040-PP1-005	TUBE for BATTERY ROD 1/4" x 4-3/4" RED	2
18	040-PP1-018	BATTERY CABLE (RED)	1
19	040-PP1-029	BATTERY CABLE (BLACK)	1
20	040-PP1-075	BATTERY 12v	1
21	045-PP1-132	COMP. 90° ELBOW 3/8" TUBE x 1/4" NPT-M	1
22	057-PP1-267A	BATTERY RETAINER PLATE	1
23	PO-0000-1627	CONTROL PANEL	1
24	PO-0000-1716	FULL FRAME	1
25	PO-0000-4101	VENTURY	1
26	PO-0000-5709	MUFFLER	1
27	PO-0000-6601	SMALL HANDLE	4
28	PO-40MR-0804	PUMP END ACCESSORIES ASSEMBLY	1



CREATED
BY: M.V.
DATE: 23-01-17

VERIFIED
BY: M.P.
DATE: 11-06-18

TITLE : PFP-18hpVGD-MR-CE
FULL FRAME CE

No:
PO-40MR-0704-A

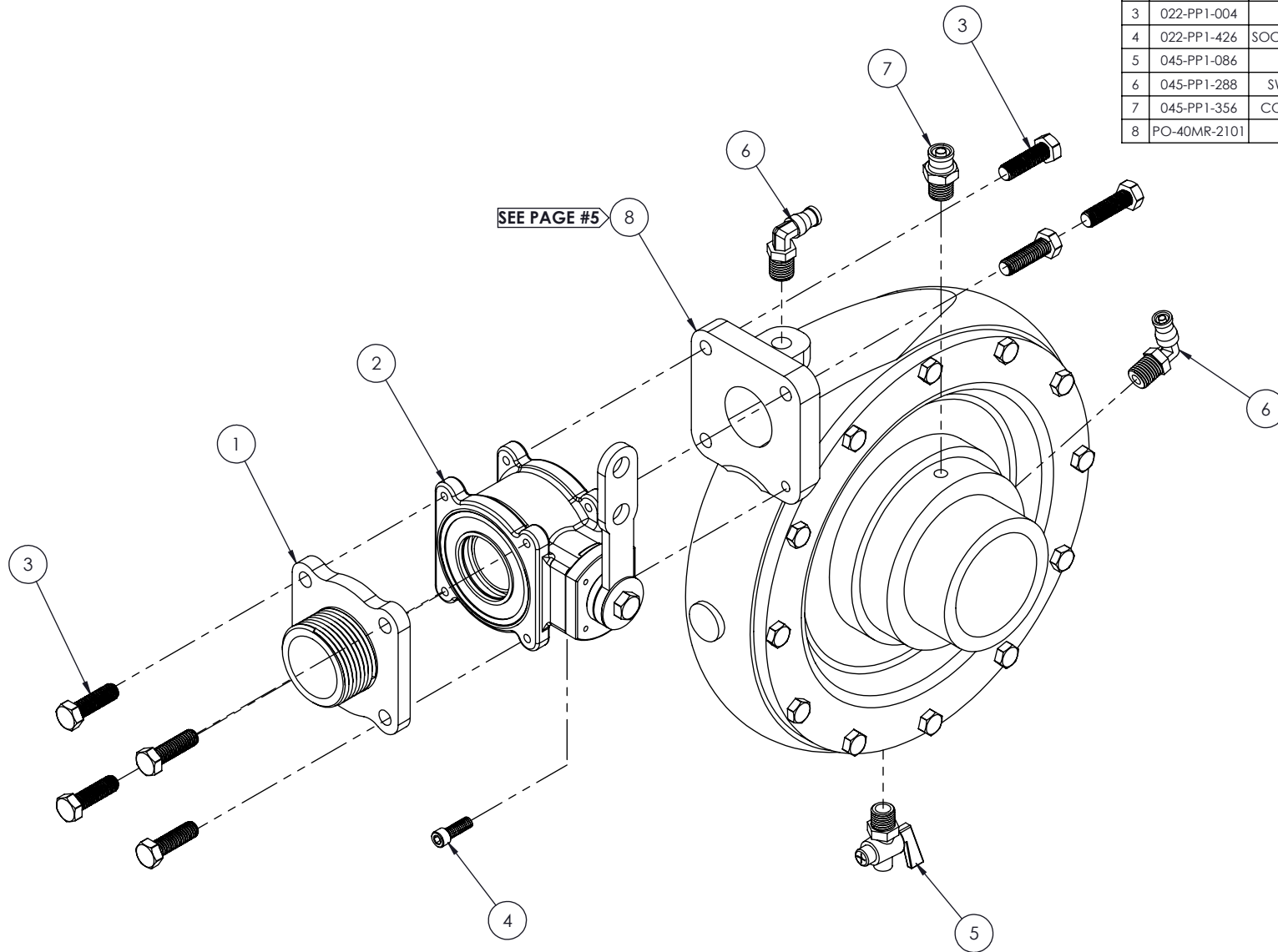
WARNING

THIS DOCUMENT REMAINS THE PROPERTY OF C.E.T. FIRE PUMPS MFG.

ALL REPRODUCTION WITHOUT WRITTEN AGREEMENT FROM C.E.T. FIRE PUMPS MFG IS TOTALLY PROHIBITED.

REV.	DESCRIPTION	DATE	BY
A	BEGINNING OF THE AnHsin IMPELLER	01-01-16	M.P.

NO	PART NUMBER	DESCRIPTION	QTY
1	002-PP1-301	FLANGE 1-1/2"	1
2	005-PP1-016	FIRE GRADE VALVE 1-1/2"	1
3	022-PP1-004	HEX. BOLT 3/8"-16 x 1-1/4"	7
4	022-PP1-426	SOCKET HEAD CAP SCREW 1/4"-20 x 3/4" (SS)	1
5	045-PP1-086	DRAIN VALVE 1/4" NPT-M	1
6	045-PP1-288	SWIVEL 90 DEG. DOT 1/4" TO 1/4" NPT-M	2
7	045-PP1-356	CONNECTOR DOT 3/8" TUBE to 1/4" NPT-M	1
8	PO-40MR-2101	PUMP END ASSEMBLY	1

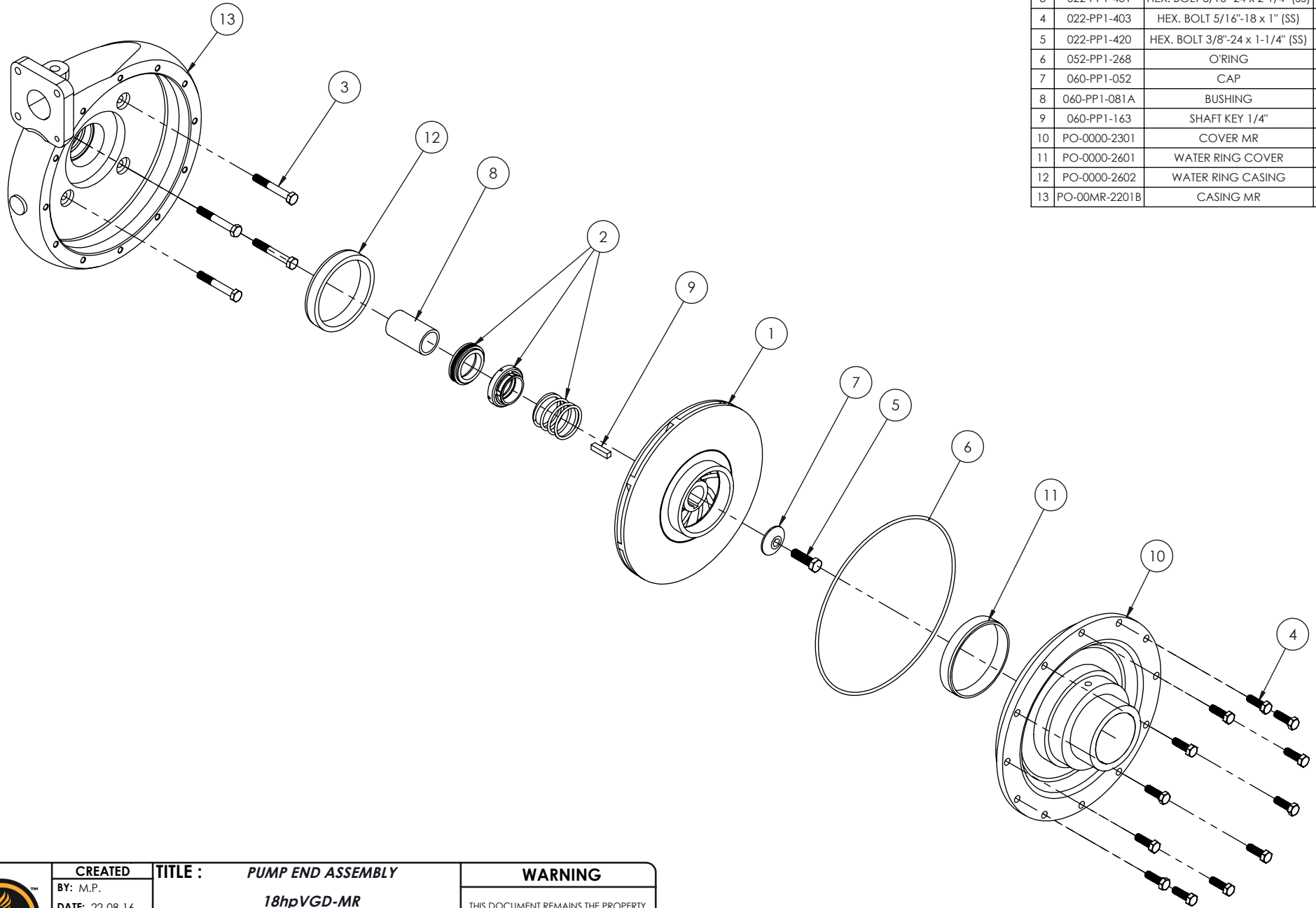


CREATED	TITLE : PUMP END ACCESSORIES ASSEMBLY
BY: M.V.	18hpVGD-MR
DATE: 23-01-17	
VERIFIED	No:
BY: M.P.	PO-40MR-0704-A
DATE: 11-06-18	

WARNING

THIS DOCUMENT REMAINS THE PROPERTY OF C.E.T. FIRE PUMPS MFG.
 ALL REPRODUCTION WITHOUT WRITTEN AGREEMENT FROM C.E.T. FIRE PUMPS MFG IS TOTALLY PROHIBITED.

REV.	DESCRIPTION	DATE	BY
A	BEGINNING OF THE AnHsin IMPELLER	01-01-16	M.P.



NO	PART NUMBER	DESCRIPTION	QTY
1	002-PP1-012	IMPELLER MR	1
2	020-PP1-002	MECHANICAL SEAL 1-1/4" (SS)	1
3	022-PP1-401	HEX. BOLT 5/16"-24 x 2-1/4" (SS)	4
4	022-PP1-403	HEX. BOLT 5/16"-18 x 1" (SS)	12
5	022-PP1-420	HEX. BOLT 3/8"-24 x 1-1/4" (SS)	1
6	052-PP1-268	O'RING	1
7	060-PP1-052	CAP	1
8	060-PP1-081A	BUSHING	1
9	060-PP1-163	SHAFT KEY 1/4"	1
10	PO-0000-2301	COVER MR	1
11	PO-0000-2601	WATER RING COVER	1
12	PO-0000-2602	WATER RING CASING	1
13	PO-00MR-2201B	CASING MR	1



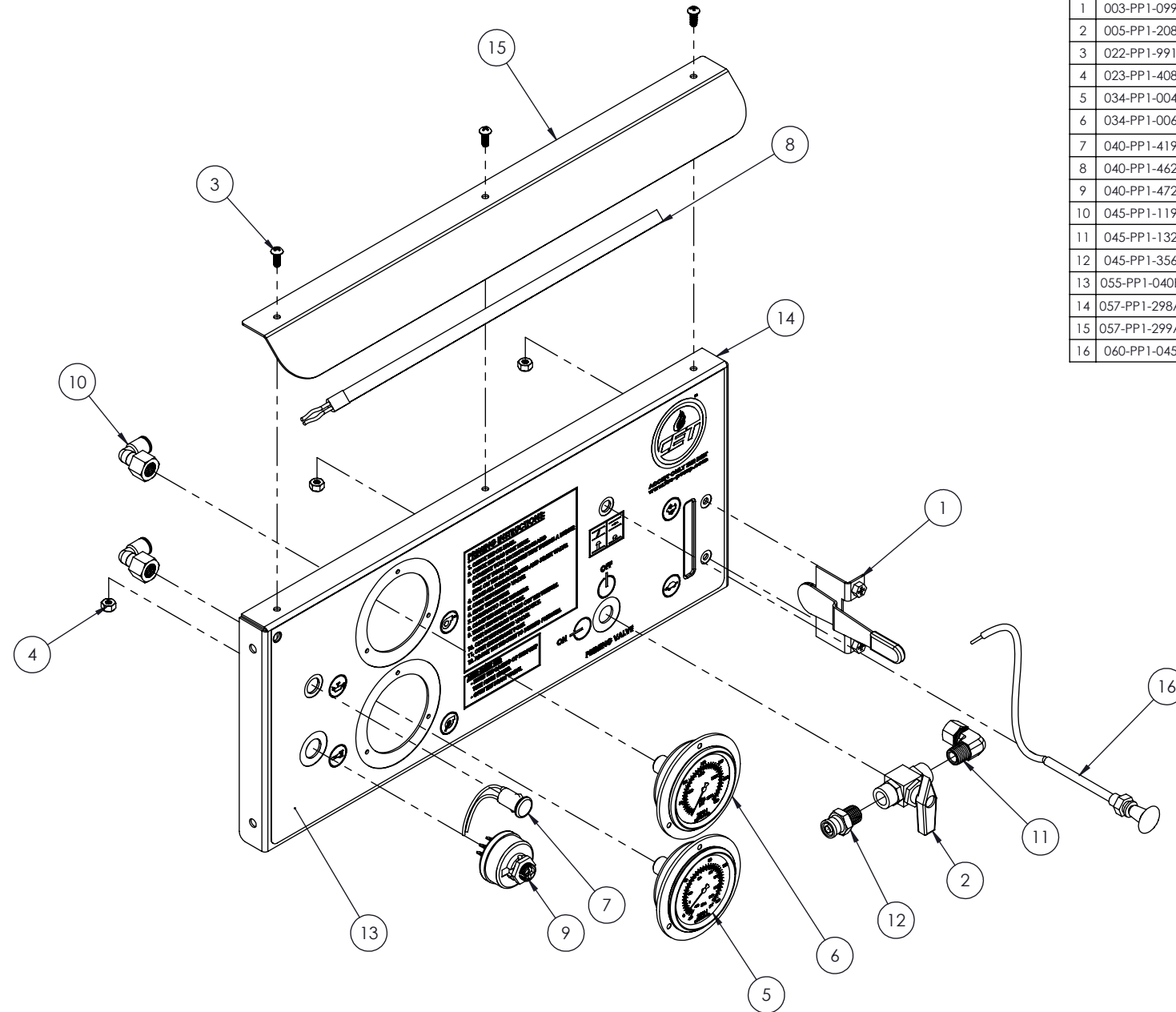
CREATED	TITLE :	PUMP END ASSEMBLY
BY: M.P.		
DATE: 22-08-16		18hpVGD-MR
VERIFIED	No:	PO-40MR-2101
BY: M.P.		
DATE: 22-08-16		

WARNING

THIS DOCUMENT REMAINS THE PROPERTY OF C.E.T. FIRE PUMPS MFG.

ALL REPRODUCTION WITHOUT WRITTEN AGREEMENT FROM C.E.T. FIRE PUMPS MFG IS TOTALLY PROHIBITED.

A	BEGINNING OF THE Anhsin IMPELLER	01-01-16	M.P.
REV.	DESCRIPTION	DATE	BY



NO	PART NUMBER	DESCRIPTION	QTY
1	003-PP1-099	VANGUARD THROTTLE HANDLE	1
2	005-PP1-208	BALL VALVE BRASS 1/4" NPT-F	1
3	022-PP1-991	MACHINE SCREW ROUND HEAD 10-24 x 1/2" (SS)	3
4	023-PP1-408	HEX. NYLON LOCKNUT 10-24 (SS)	3
5	034-PP1-004	MANOMETER -30 to 160Psi	1
6	034-PP1-006	MANOMETER 0/300psi	1
7	040-PP1-419	OIL RED LIGHT 12v	1
8	040-PP1-462	13-1/2" FLEXIBLE LED	1
9	040-PP1-472	KOHLER IGNITION SWITCH	1
10	045-PP1-119	90 ELBOW 1/4" T x 1/4" NPT-F	2
11	045-PP1-132	COMP. 90° ELBOW 3/8" TUBE x 1/4" NPT-M	1
12	045-PP1-356	CONNECTOR DOT 3/8" TUBE to 1/4" NPT-M	1
13	055-PP1-040B	STICKER	1
14	057-PP1-298A	CONTROL PANEL	1
15	057-PP1-299A	SUPPORT LUMIERE	1
16	060-PP1-045	CHOKE CABLE	1



CREATED	TITLE :	CONTROL PANEL
BY: M.V.		
DATE: 20-12-16		
VERIFIED	No:	18hpVGD CE
BY: M.V.		
DATE: 20-12-16		
		PO-0000-1627

WARNING

THIS DOCUMENT REMAINS THE PROPERTY OF C.E.T. FIRE PUMPS MFG.

ALL REPRODUCTION WITHOUT WRITTEN AGREEMENT FROM C.E.T. FIRE PUMPS MFG IS TOTALLY PROHIBITED.

A	BEGINNING OF THE AnHsin IMPELLER	01-01-16	M.P.
REV.	DESCRIPTION	DATE	BY