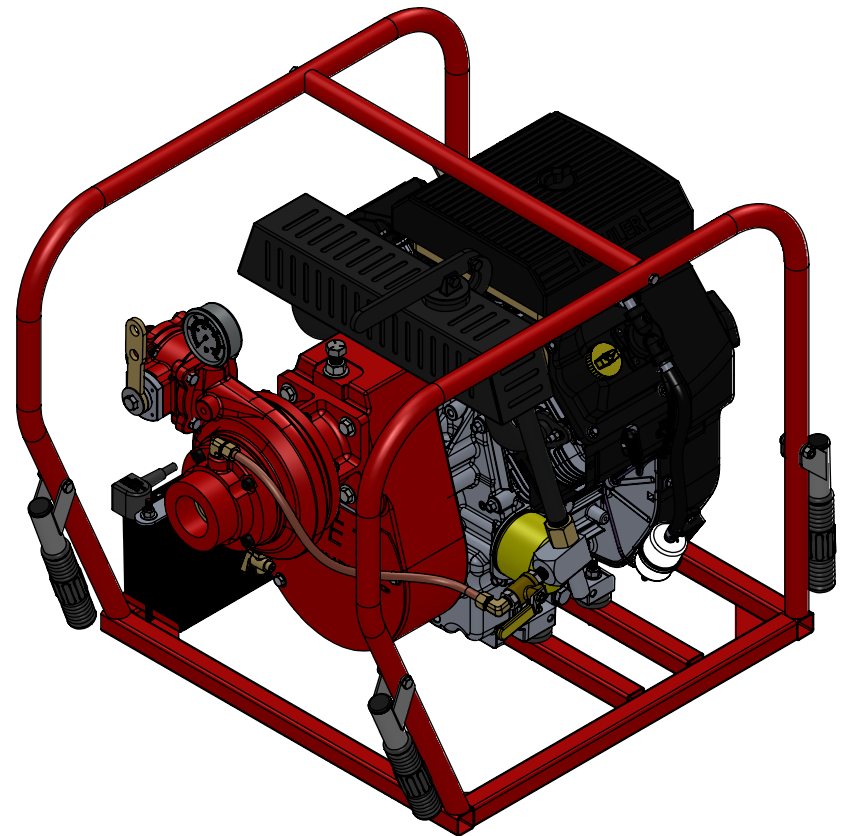
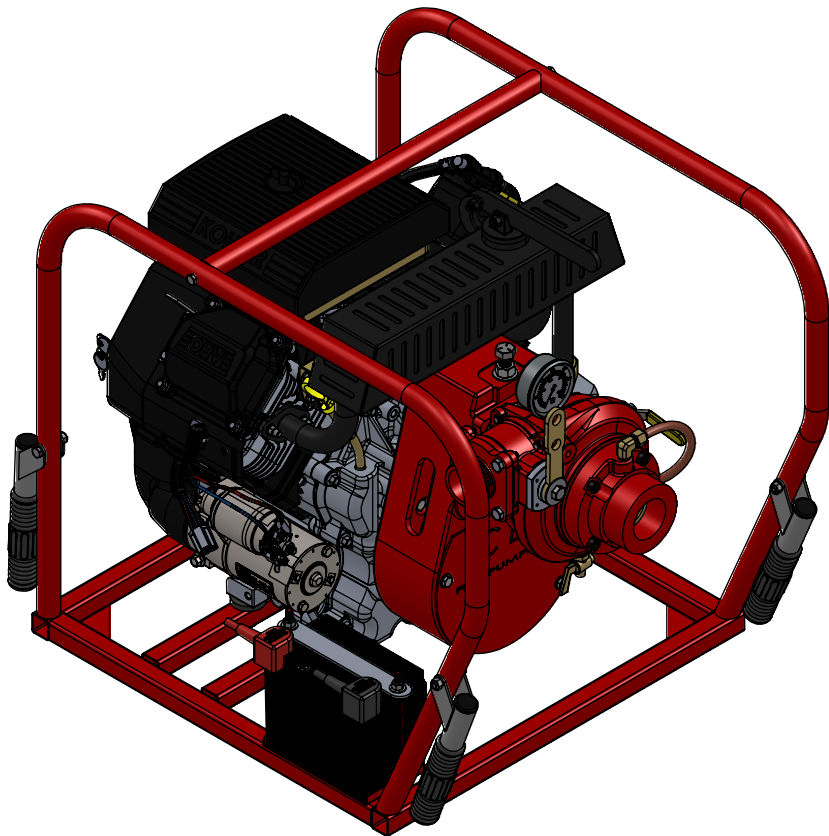
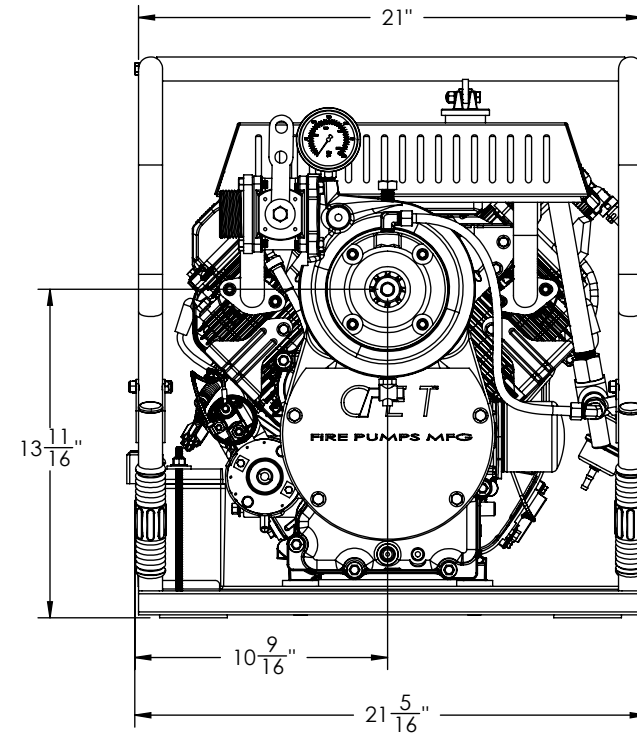
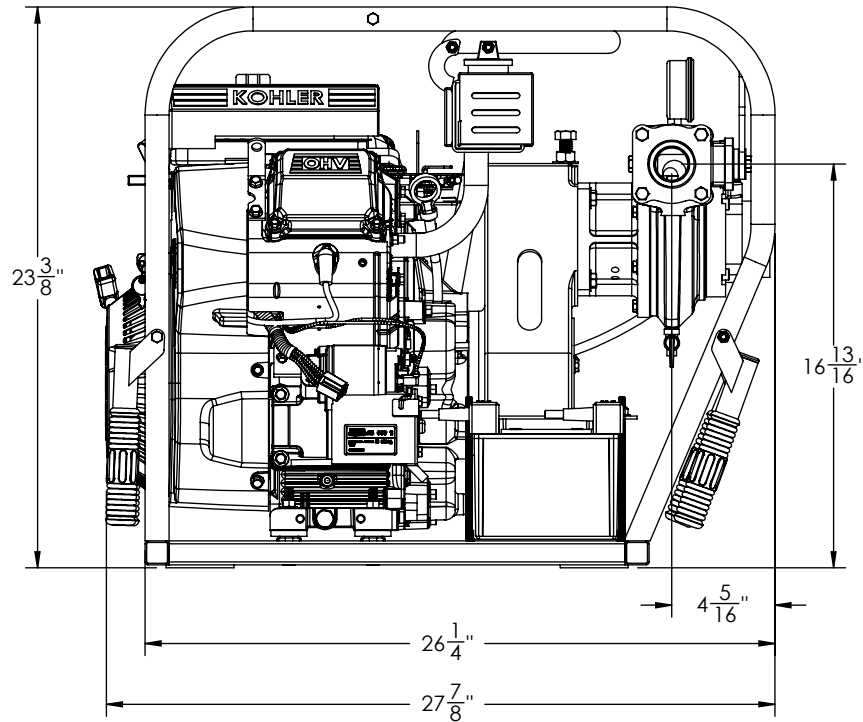


PORTABLE FIRE PUMP
PFP-20hpKHL-HP
CH640 KOHLER WITH HIGH-PRESSURE PUMP



WE CAN CUSTOMIZE AS YOU WANT



WET WEIGHT: 180 lbs



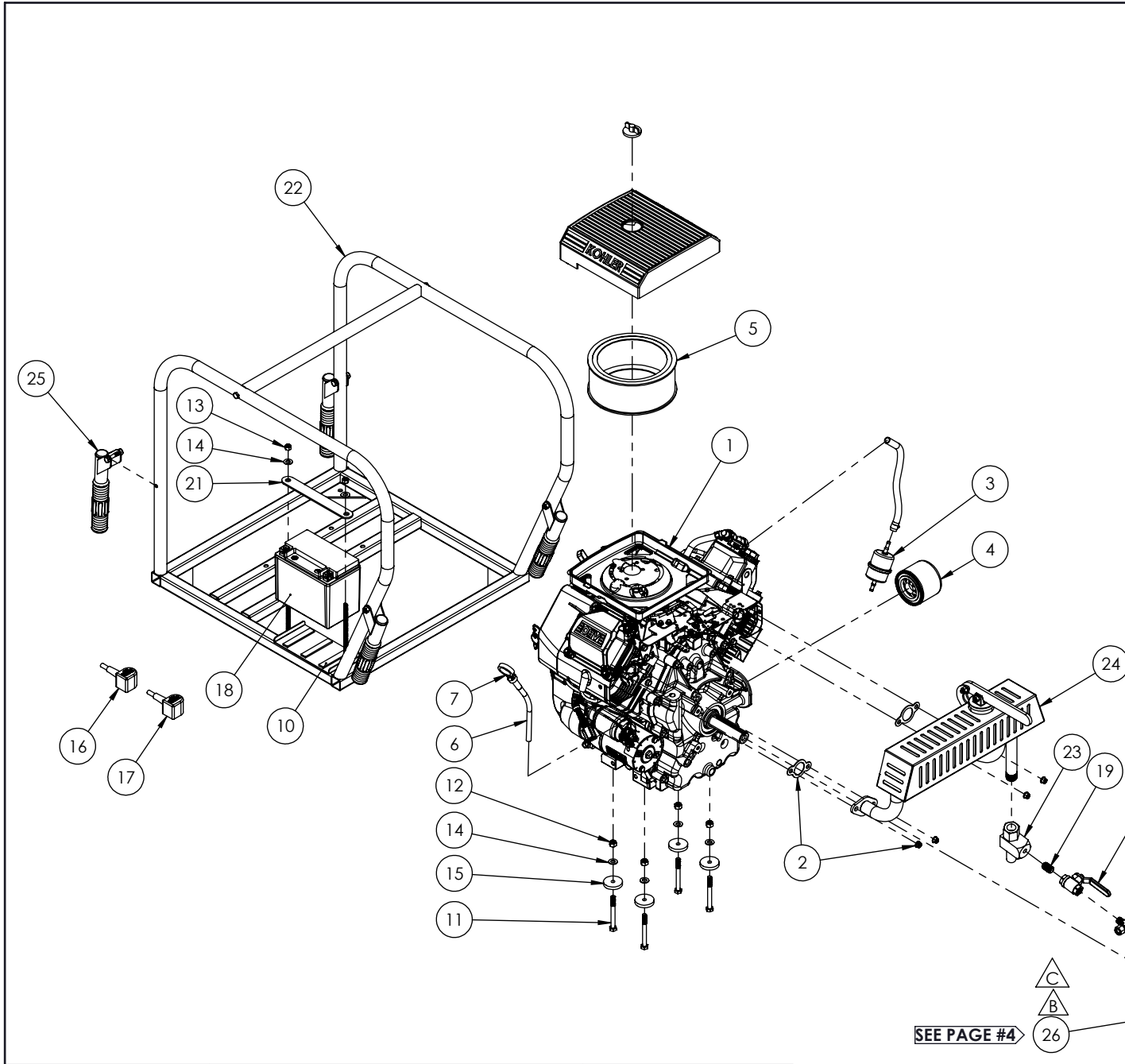
| | | |
|-----------------|----------------|-----------------------|
| CREATED | TITLE : | <i>PPF-20hpKHL-HP</i> |
| BY: T.F. | | <i>FULL FRAME</i> |
| DATE: 29-06-18 | | |
| VERIFIED | No: | PO-43HP-0701-C |
| BY: M.P. | | |
| DATE: 29-06-18 | | |

WARNING

THIS DOCUMENT REMAINS THE PROPERTY OF C.E.T. FIRE PUMPS MFG.

ALL REPRODUCTION WITHOUT WRITTEN AGREEMENT FROM C.E.T. FIRE PUMPS MFG IS TOTALLY PROHIBITED.

| | | | |
|------|--|----------|------|
| C | NEW MECHANICAL SEAL | 23-08-18 | M.P. |
| B | DRIVEN GEAR CHANGE FROM 28 TO 25 TEETH | 15-09-15 | M.P. |
| A | Version A | 01-01-15 | M.P. |
| REV. | DESCRIPTION | DATE | BY |



| NO | PART NUMBER | DESCRIPTION | QTY |
|----|---------------|--|-----|
| 1 | 001-PP1-029 | KOHLER ENGINE, ELECTRIC/MANUAL 20hp GAS | 1 |
| 2 | 003-PP1-017 | GASKET MUFFLER KIT | 1 |
| 3 | 003-PP1-022 | FUEL FILTER KOHLER 20, 25 & 27hp | 1 |
| 4 | 003-PP1-025 | OIL FILTER for 20hp, 25hp, 27hp & 38hp KOHLER | 1 |
| 5 | 003-PP1-026 | AIR FILTER 20-25-27hp KOHLER | 1 |
| 6 | 003-PP1-035-1 | DIP STICK | 1 |
| 7 | 003-PP1-035-3 | OIL GAUGE | 1 |
| 8 | 005-PP1-205 | BALL VALVE 1/4" NPT-F | 1 |
| 9 | 010-PP1-999 | COPPER TUBE 3/8" x 17-1/4" | 1 |
| 10 | 020-PP1-008 | BATTERY FOAM TAPE 1/2" x 3" | 3 |
| 11 | 022-PP1-027 | HEX. BOLT 5/16"-18 x 3" | 4 |
| 12 | 023-PP1-005 | HEX. NYLON LOCK NUT 5/16"-18 | 4 |
| 13 | 023-PP1-006 | HEX. NYLON LOCKNUT 1/4"-20 | 2 |
| 14 | 024-PP1-004 | FLAT WASHER 5/16" ID x 3/4"OD | 6 |
| 15 | 025-PP1-015 | RUBBER WASHER 0.312" INT x 1.5" EXT. x 1/4" TK | 4 |
| 16 | 040-PP1-018 | BATTERY CABLE (RED) | 1 |
| 17 | 040-PP1-029 | BATTERY CABLE (BLACK) | 1 |
| 18 | 040-PP1-075 | BATTERY 12v | 1 |
| 19 | 045-PP1-048 | CLOSE NIPPLE 1/4 NPT-M | 1 |
| 20 | 045-PP1-132 | COMP. 90° ELBOW 3/8" TUBE x 1/4" NPT-M | 2 |
| 21 | 057-PP1-267A | BATTERY RETAINER PLATE | 1 |
| 22 | PO-0000-1723 | FULL FRAME | 1 |
| 23 | PO-0000-4101 | VENTURY | 1 |
| 24 | PO-0000-5701 | PUMP MUFFLER | 1 |
| 25 | PO-0000-6601 | SMALL HANDLE | 4 |
| 26 | PO-43HP-0801B | PUMP END ACCESSORIES ASSEMBLY | 1 |



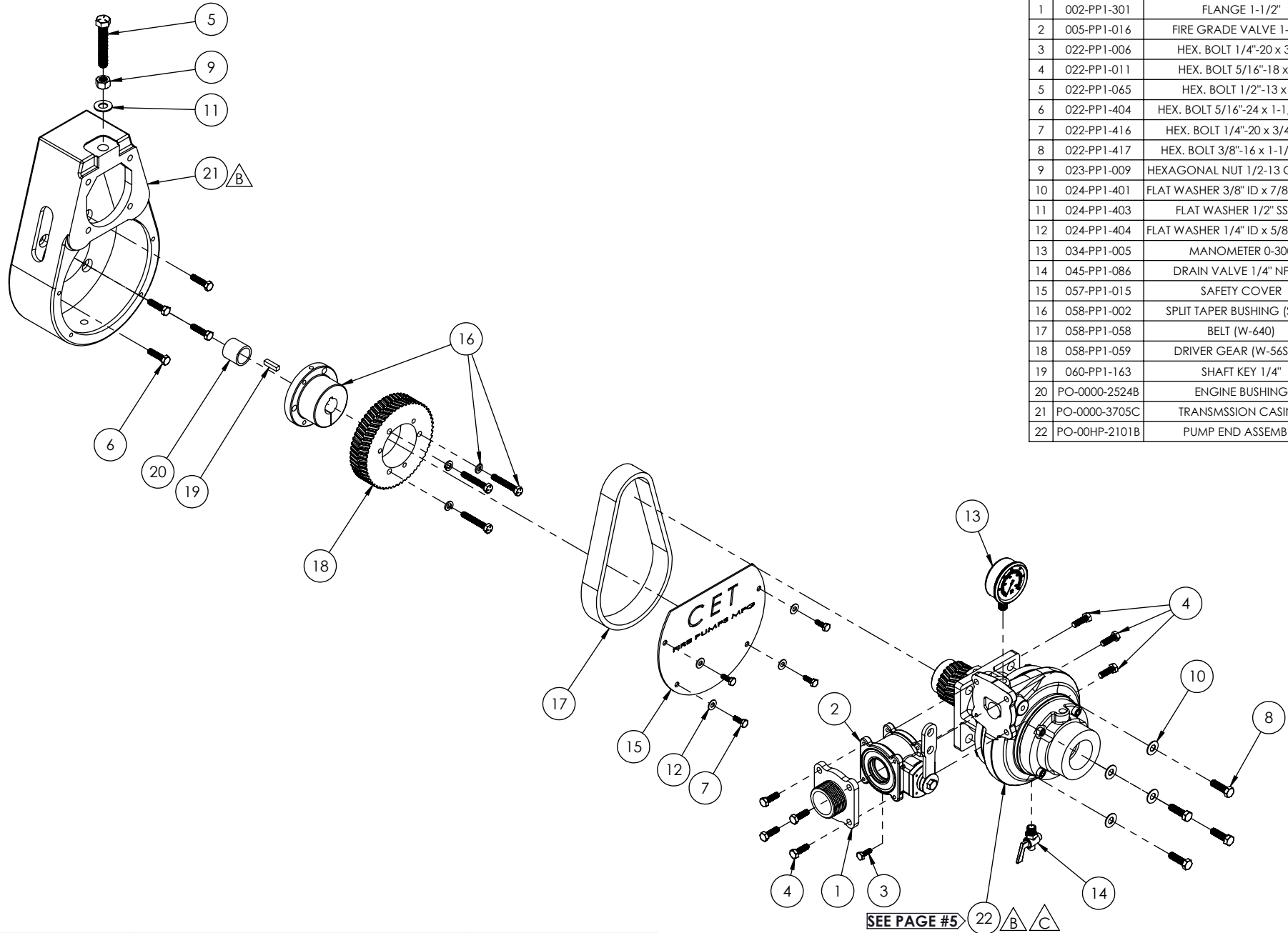
| | | |
|-----------------|----------------|-----------------------|
| CREATED | TITLE : | PPF-20hpKHL-HP |
| BY: T.F. | | |
| DATE: 29-06-18 | | FULL FRAME |
| VERIFIED | No: | PO-43HP-0701-C |
| BY: M.P. | | |
| DATE: 29-06-18 | | |

WARNING

THIS DOCUMENT REMAINS THE PROPERTY OF C.E.T. FIRE PUMPS MFG.

ALL REPRODUCTION WITHOUT WRITTEN AGREEMENT FROM C.E.T. FIRE PUMPS MFG IS TOTALLY PROHIBITED.

| REV. | DESCRIPTION | DATE | BY |
|------|--|----------|------|
| C | NEW MECHANICAL SEAL | 23-08-18 | M.P. |
| B | DRIVEN GEAR CHANGE FROM 28 TO 25 TEETH | 15-09-15 | M.P. |
| A | Version A | 01-01-15 | M.P. |



| NO | PART NUMBER | DESCRIPTION | QTY |
|----|---------------|------------------------------------|-----|
| 1 | 002-PP1-301 | FLANGE 1-1/2" | 1 |
| 2 | 005-PP1-016 | FIRE GRADE VALVE 1-1/2" | 1 |
| 3 | 022-PP1-006 | HEX. BOLT 1/4"-20 x 3/4" | 1 |
| 4 | 022-PP1-011 | HEX. BOLT 5/16"-18 x 1" | 7 |
| 5 | 022-PP1-065 | HEX. BOLT 1/2"-13 x 3" | 1 |
| 6 | 022-PP1-404 | HEX. BOLT 5/16"-24 x 1-1/4" (SS) | 4 |
| 7 | 022-PP1-416 | HEX. BOLT 1/4"-20 x 3/4" (SS) | 4 |
| 8 | 022-PP1-417 | HEX. BOLT 3/8"-16 x 1-1/4" (SS) | 4 |
| 9 | 023-PP1-009 | HEXAGONAL NUT 1/2-13 GR5 ZINC | 1 |
| 10 | 024-PP1-401 | FLAT WASHER 3/8" ID x 7/8" OD (SS) | 4 |
| 11 | 024-PP1-403 | FLAT WASHER 1/2" SS304 | 1 |
| 12 | 024-PP1-404 | FLAT WASHER 1/4" ID x 5/8" OD (SS) | 4 |
| 13 | 034-PP1-005 | MANOMETER 0-300 | 1 |
| 14 | 045-PP1-086 | DRAIN VALVE 1/4" NPT-M | 1 |
| 15 | 057-PP1-015 | SAFETY COVER | 1 |
| 16 | 058-PP1-002 | SPLIT TAPER BUSHING (SKX1) | 1 |
| 17 | 058-PP1-058 | BELT (W-640) | 1 |
| 18 | 058-PP1-059 | DRIVER GEAR (W-56S-SK) | 1 |
| 19 | 060-PP1-163 | SHAFT KEY 1/4" | 1 |
| 20 | PO-0000-2524B | ENGINE BUSHING | 1 |
| 21 | PO-0000-3705C | TRANSMSSION CASING | 1 |
| 22 | PO-00HP-2101B | PUMP END ASSEMBLY | 1 |



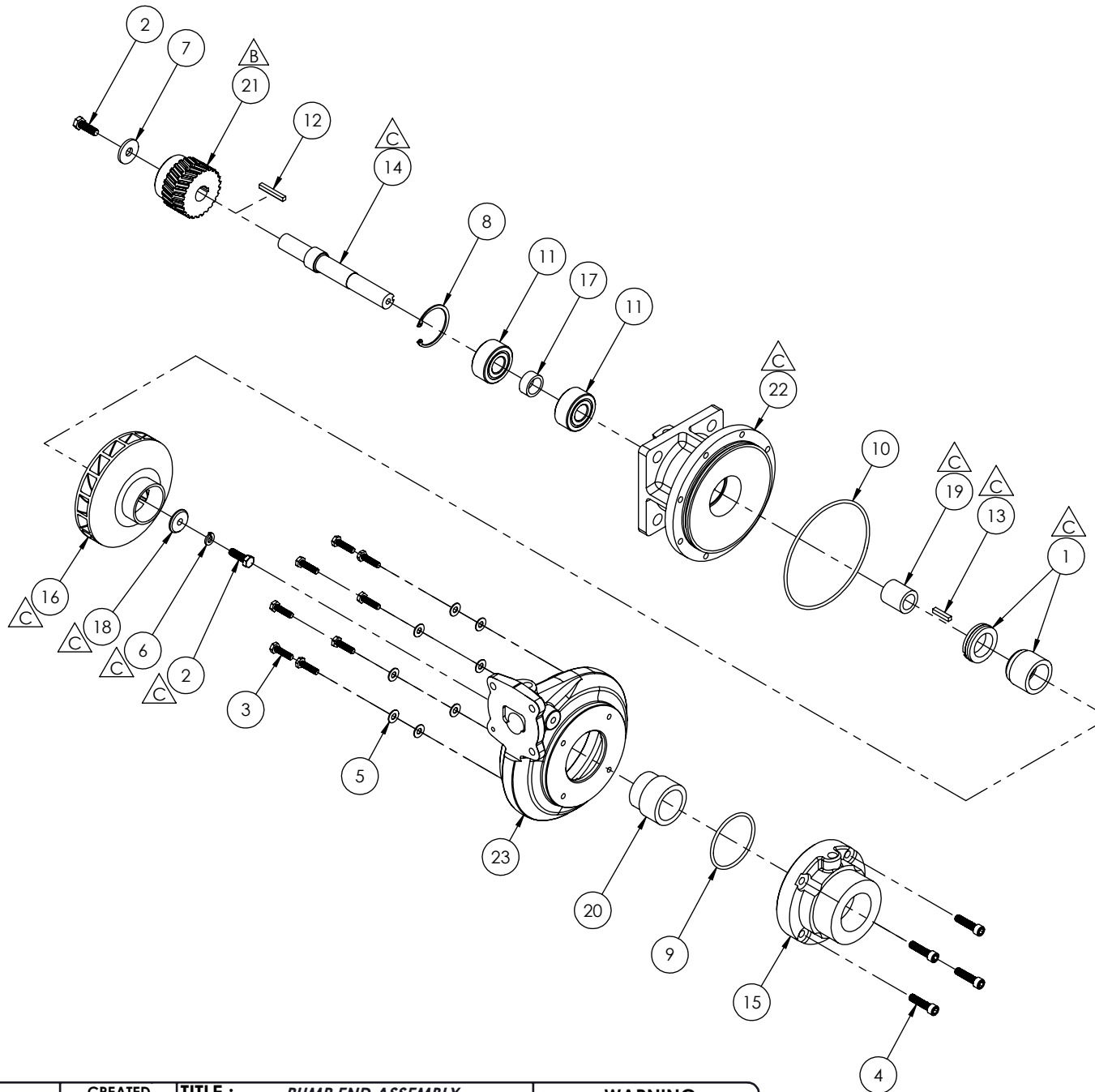
| | |
|----------------------------|--|
| CREATED | TITLE : PUMP END ACCESSORIES ASSEMBLY |
| BY: M.P. DATE: 15-09-16 | PPF-20hpKHL-HP |
| VERIFIED | No: |
| BY: M.P. DATE: 15-09-16 | PO-43HP-0801B |

WARNING

THIS DOCUMENT REMAINS THE PROPERTY OF C.E.T. FIRE PUMPS MFG.

ALL REPRODUCTION WITHOUT WRITTEN AGREEMENT FROM C.E.T. FIRE PUMPS MFG IS TOTALLY PROHIBITED.

| | | | |
|------|--|----------|------|
| C | NEW MECHANICAL SEAL | 23-08-18 | M.P. |
| B | DRIVEN GEAR CHANGE FROM 28 TO 25 TEETH | 15-09-15 | M.P. |
| A | Version A | 01-01-15 | M.P. |
| REV. | DESCRIPTION | DATE | BY |



| NO | PART NUMBER | DESCRIPTION | QTY |
|----|--------------|---|-----|
| 1 | 020-PP1-021 | MECHANICAL SEAL | 1 |
| 2 | 022-PP1-403 | HEX. BOLT 5/16"-18 x 1" (SS) | 2 |
| 3 | 022-PP1-410 | HEX. BOLT 1/4"-20 x 1" (SS) | 8 |
| 4 | 022-PP1-872 | SOCKET HEAD CAP SCREW 5/16"-18 x 1-1/4" | 4 |
| 5 | 024-PP1-404 | FLAT WASHER 1/4" ID x 5/8" OD (SS) | 8 |
| 6 | 024-PP1-410 | SPLIT LOCK WASHER 5/16" SS | 1 |
| 7 | 024-PP1-420 | WASHER | 1 |
| 8 | 025-PP1-040 | RETAINING RING | 1 |
| 9 | 052-PP1-230 | O'RING 2-230 AB | 1 |
| 10 | 052-PP1-251 | O-RING | 1 |
| 11 | 058-PP1-001 | BEARING | 2 |
| 12 | 060-PP1-241 | KEY SHAFT 3/16" x 3/16" x 1.5" | 1 |
| 13 | 060-PP1-241 | KEY SHAFT 3/16" x 3/16" x 1" | 1 |
| 14 | 060-PP1-276 | SHAFT | 1 |
| 15 | PO-0000-2303 | COVER | 1 |
| 16 | PO-0000-2418 | IMPELLER | 1 |
| 17 | PO-0000-2509 | BUSHING | 1 |
| 18 | PO-0000-2544 | CAP | 1 |
| 19 | PO-0000-2545 | BUSHING | 1 |
| 20 | PO-0000-2603 | WATER RING | 1 |
| 21 | PO-0000-2701 | DRIVEN GEAR (W-25S-MPB) | 1 |
| 22 | PO-0000-3710 | BELL HOUSING | 1 |
| 23 | PO-00HP-2201 | CASING | 1 |



| | | |
|-----------------|----------------|--------------------------|
| CREATED | TITLE : | PUMP END ASSEMBLY |
| BY: M.P. | | |
| DATE: 13-05-19 | | 18 TO 23hp - HP |
| VERIFIED | No: | PO-00HP-2101B |
| BY: M.P. | | |
| DATE: 13-05-19 | | |

WARNING

THIS DOCUMENT REMAINS THE PROPERTY OF C.E.T. FIRE PUMPS MFG.

ALL REPRODUCTION WITHOUT WRITTEN AGREEMENT FROM C.E.T. FIRE PUMPS MFG IS TOTALLY PROHIBITED.

| REV. | DESCRIPTION | DATE | BY |
|------|--|----------|------|
| C | NEW MECHANICAL SEAL | 23-08-18 | M.P. |
| B | DRIVEN GEAR CHANGE FROM 28 TO 25 TEETH | 15-09-15 | M.P. |
| A | Version A | 01-01-15 | M.P. |