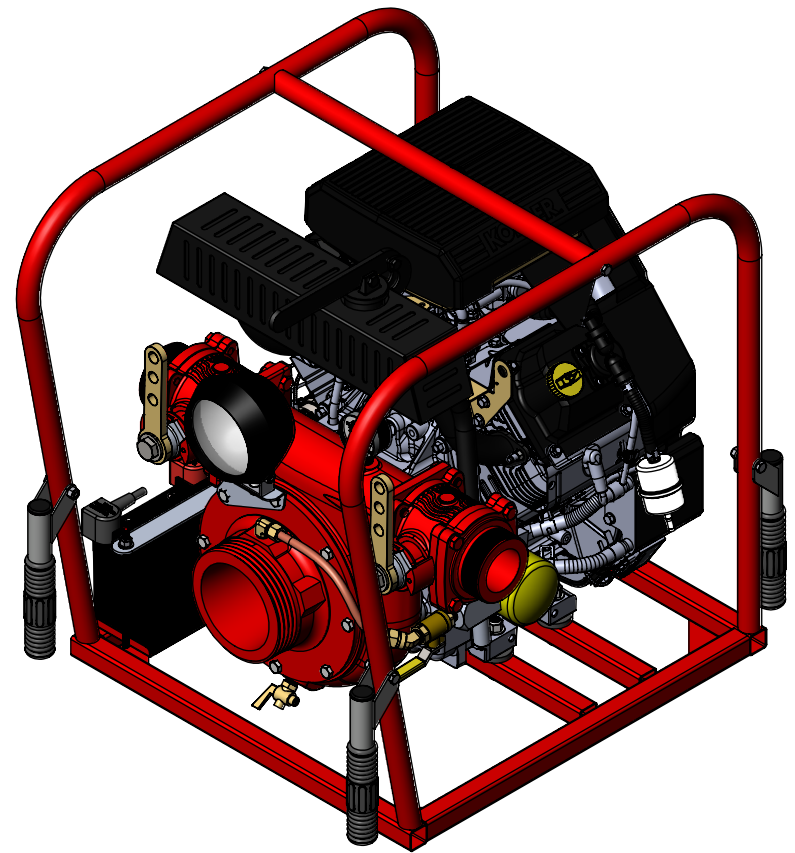
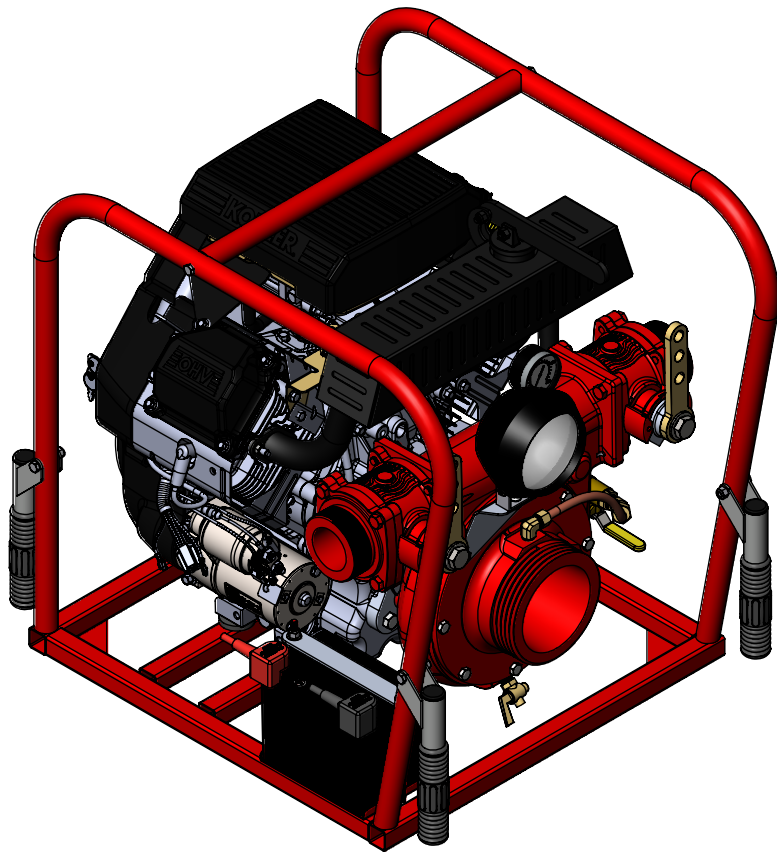
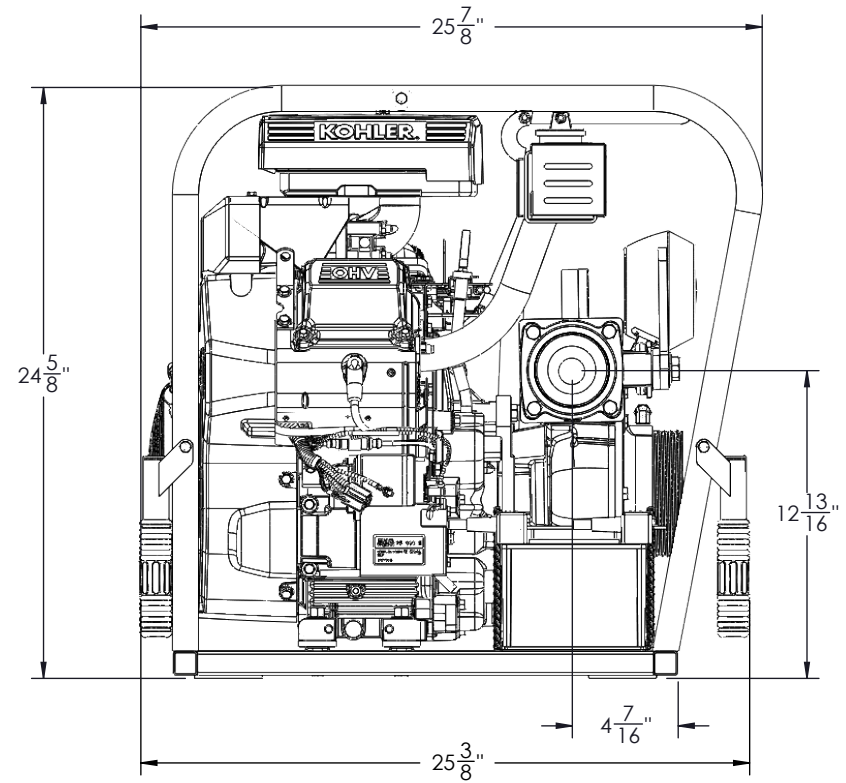
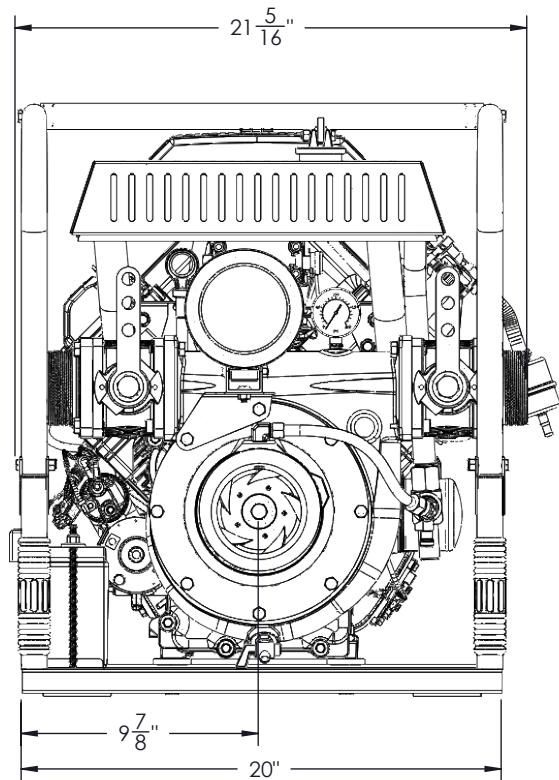


PORTABLE FIRE PUMP
PFP-30hpKHL-2D
CH750 KOHLER WITH HIGH-VOLUME PUMP



WE CAN CUSTOMIZE AS YOU WANT



WET WEIGHT : TBD



nqa.
 ISO 9001
 Registered
 Quality
 Management

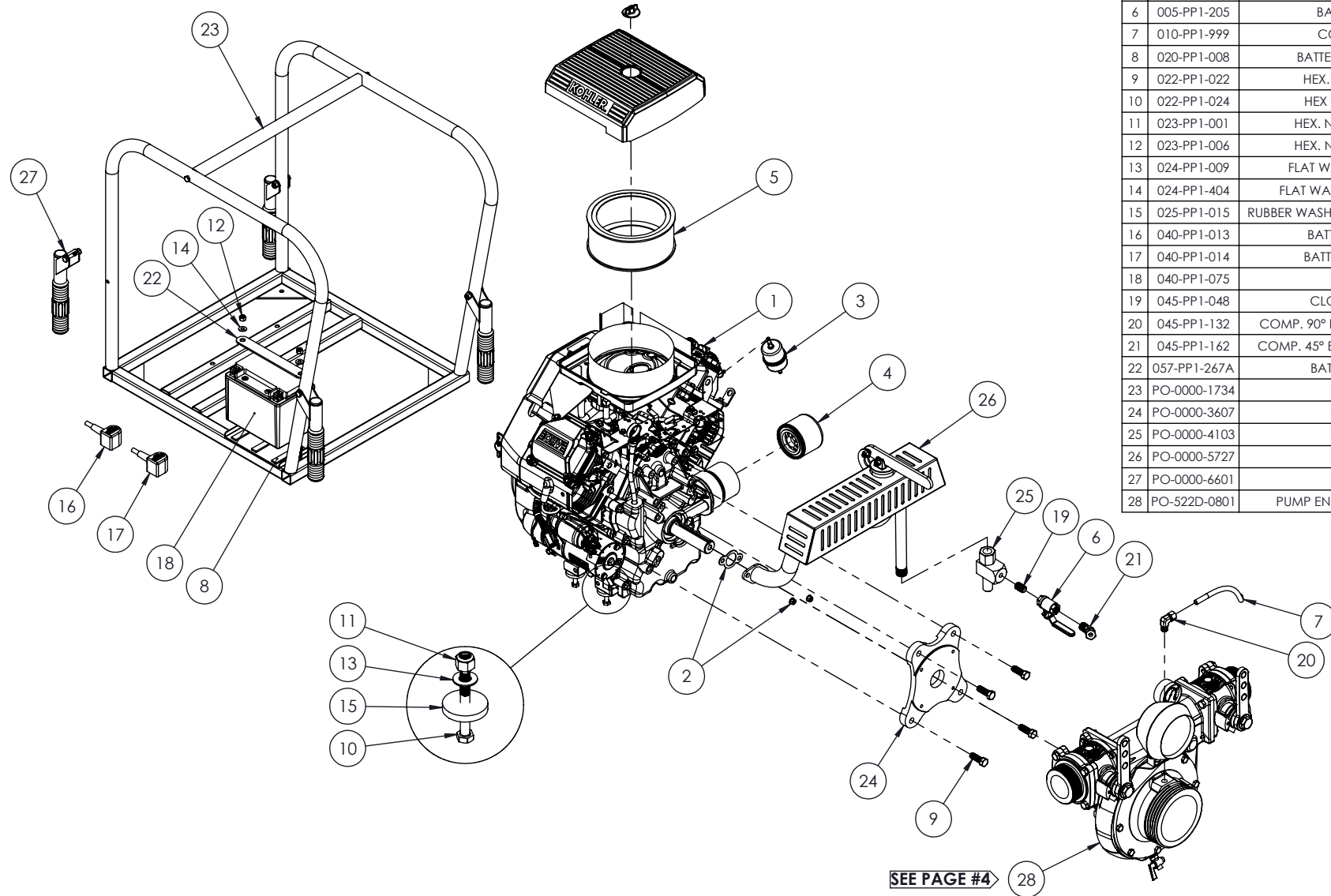
CREATED
 BY: M.P.
 DATE: 23-01-18
VERIFIED
 BY: M.P.
 DATE: 23-01-18

TITLE : PFP-30hpKHL-2D
 FULL FRAME
No: PO-522D-0701-A

WARNING

THIS DOCUMENT REMAINS THE PROPERTY OF C.E.T. FIRE PUMPS MFG.
 ALL REPRODUCTION WITHOUT WRITTEN AGREEMENT FROM C.E.T. FIRE PUMPS MFG IS TOTALLY PROHIBITED.

A	Version A	01-01-16	M.P.
REV.	DESCRIPTION	DATE	BY



NO	PART NUMBER	DESCRIPTION	QTY
1	001-PP1-032	CH750 KOHLER ENGINE	1
2	003-PP1-017	GASKET MUFFLER KIT	1
3	003-PP1-022	FUEL FILTER KOHLER 20, 25 & 27hp	1
4	003-PP1-025	OIL FILTER for 20hp, 25hp, 27hp & 38hp KOHLER	1
5	003-PP1-026	AIR FILTER 20-25-27hp KOHLER	1
6	005-PP1-205	BALL VALVE 1/4" NPT-F	1
7	010-PP1-999	COPPER TUBE 3/8" x 8"	1
8	020-PP1-008	BATTERY FOAM TAPE 1/2" x 3"	3
9	022-PP1-022	HEX. BOLT 7/16"-14 x 1-1/4"	4
10	022-PP1-024	HEX BOLT 5/16"-18 x 2-1/2"	4
11	023-PP1-001	HEX. NYLON LOCKNUT 3/8"-16	4
12	023-PP1-006	HEX. NYLON LOCKNUT 1/4"-20	2
13	024-PP1-009	FLAT WASHER 3/8" int. x 7/8" ext.	4
14	024-PP1-404	FLAT WASHER 1/4" ID x 5/8" OD (SS)	2
15	025-PP1-015	RUBBER WASHER 0.312" INT x 1.5" EXT. x 1/4" TK	4
16	040-PP1-013	BATTERY CABLE CET-R-5LL	1
17	040-PP1-014	BATTERY CABLE CET-N-8.25	1
18	040-PP1-075	BATTERY 12v	1
19	045-PP1-048	CLOSE NIPPLE 1/4 NPT-M	1
20	045-PP1-132	COMP. 90° ELBOW 3/8" TUBE x 1/4" NPT-M	1
21	045-PP1-162	COMP. 45° ELBOW 3/8" TUBE x 1/4" NPT-M	1
22	057-PP1-267A	BATTERY RETAINER PLATE	1
23	PO-0000-1734	FULL FRAME	1
24	PO-0000-3607	ADAPTER PLATE	1
25	PO-0000-4103	VENTURY	1
26	PO-0000-5727	PUMP MUFFLER	1
27	PO-0000-6601	SMALL HANDLE	4
28	PO-522D-0801	PUMP END ACCESSORIES ASSEMBLY	1

SEE PAGE #4



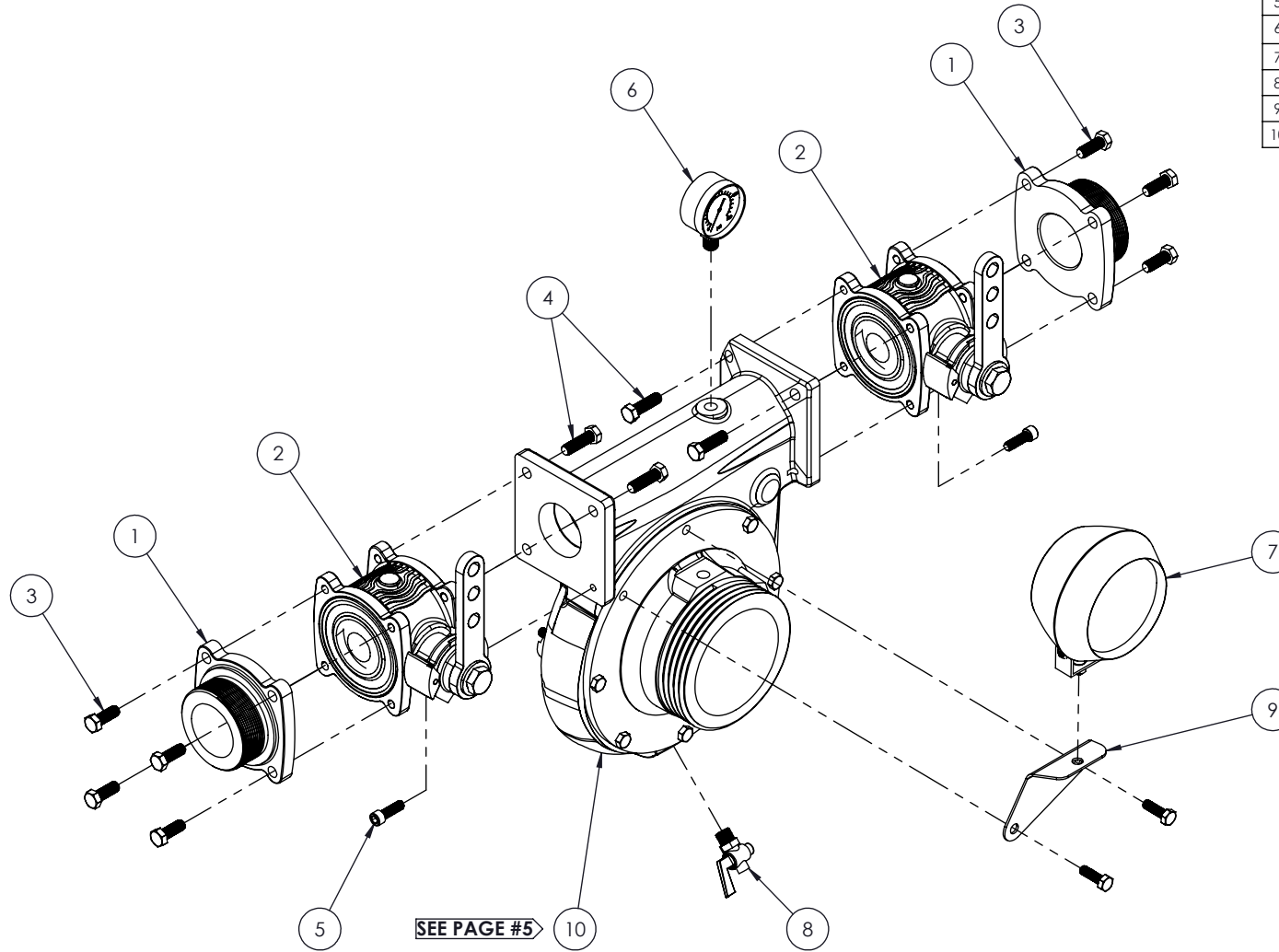
CREATED BY: M.P.
DATE: 23-01-18
VERIFIED BY: M.P.
DATE: 23-01-18

TITLE : PFP-30hpKHL-2D
FULL FRAME
No: PO-522D-0701-A

WARNING
THIS DOCUMENT REMAINS THE PROPERTY OF C.E.T. FIRE PUMPS MFG.
ALL REPRODUCTION WITHOUT WRITTEN AGREEMENT FROM C.E.T. FIRE PUMPS MFG IS TOTALLY PROHIBITED.

A	Version A	01-01-16	M.P.
REV.	DESCRIPTION	DATE	BY

NO	PART NUMBER	DESCRIPTION	QTY
1	002-PP1-302	FLANGE 2-1/2" NH-M	2
2	005-PP1-012	FIRE GRADE VALVE 2"	2
3	022-PP1-003	HEX. BOLT 3/8"-16 x 1"	8
4	022-PP1-004	HEX. BOLT 3/8"-16 x 1-1/4"	6
5	022-PP1-996	SOCKET HEAD CAP SCREW 5/16"-18 x 1"	2
6	034-PP1-018	DRY GAUGE 0/200psi DIA 2" x 1/4CMB	1
7	040-PP1-004	PAR36 LIGHT	1
8	045-PP1-086	DRAIN VALVE 1/4" NPT-M	1
9	057-PP1-034B	BRACKET LIGHT	1
10	PO-002D-2102	PUMP END ASSEMBLY	1



nqa.
ISO 9001
Registered
Quality
Management

CREATED
BY: M.P.
DATE: 23-01-18
VERIFIED
BY: M.P.
DATE: 23-01-18

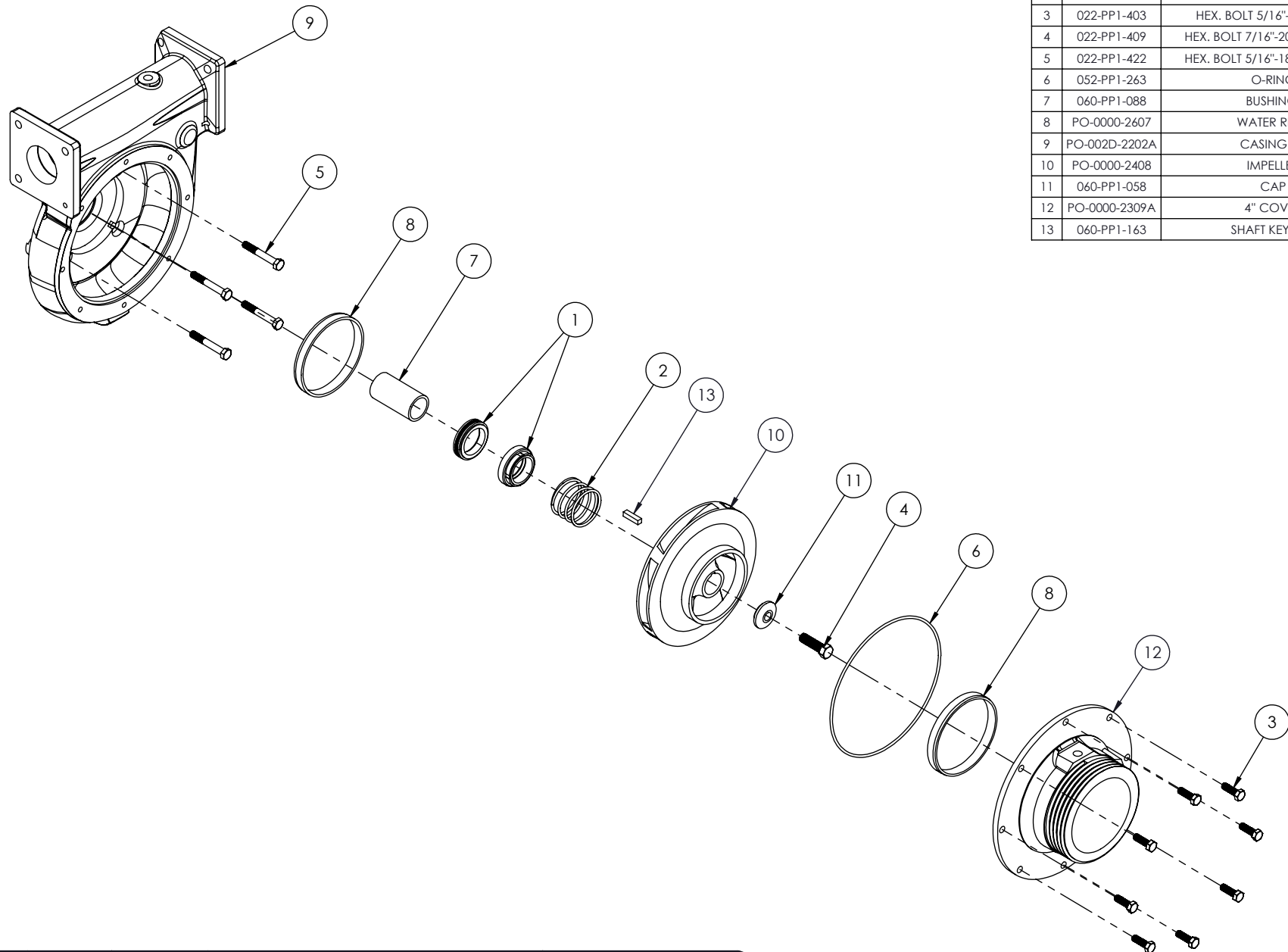
TITLE : PUMP END ACCESSORIES ASSEMBLY
30hp KOHLER
No: PO-522D-0801



WARNING

THIS DOCUMENT REMAINS THE PROPERTY OF C.E.T. FIRE PUMPS MFG.
ALL REPRODUCTION WITHOUT WRITTEN AGREEMENT FROM C.E.T. FIRE PUMPS MFG IS TOTALLY PROHIBITED.

REV.	DESCRIPTION	DATE	BY
A	Version A	01-01-16	M.P.

NO	PART NUMBER	DESCRIPTION	QTY
1	020-PP1-003	1.375" T-21 BP1C1 SEALS	1
2	020-PP1-011	SPRING	1
3	022-PP1-403	HEX. BOLT 5/16"-18 x 1" (SS)	8
4	022-PP1-409	HEX. BOLT 7/16"-20 x 1-1/2" (SS)	1
5	022-PP1-422	HEX. BOLT 5/16"-18 x 2-1/4" (SS)	4
6	052-PP1-263	O-RING	1
7	060-PP1-088	BUSHING	1
8	PO-0000-2607	WATER RING	2
9	PO-002D-2202A	CASING 2D	1
10	PO-0000-2408	IMPELLER	1
11	060-PP1-058	CAP	1
12	PO-0000-2309A	4" COVER	1
13	060-PP1-163	SHAFT KEY 1/4"	1



		CREATED BY: M.P. DATE: 23-01-18	TITLE : PUMP END ASSEMBLY 27hp KOHLER	WARNING THIS DOCUMENT REMAINS THE PROPERTY OF C.E.T. FIRE PUMPS MFG. ALL REPRODUCTION WITHOUT WRITTEN AGREEMENT FROM C.E.T. FIRE PUMPS MFG IS TOTALLY PROHIBITED.
		VERIFIED BY: M.P. DATE: 23-01-18	No: PO-002D-2102	

REV.	A	Version A	01-01-16	M.P.
		DESCRIPTION	DATE	BY