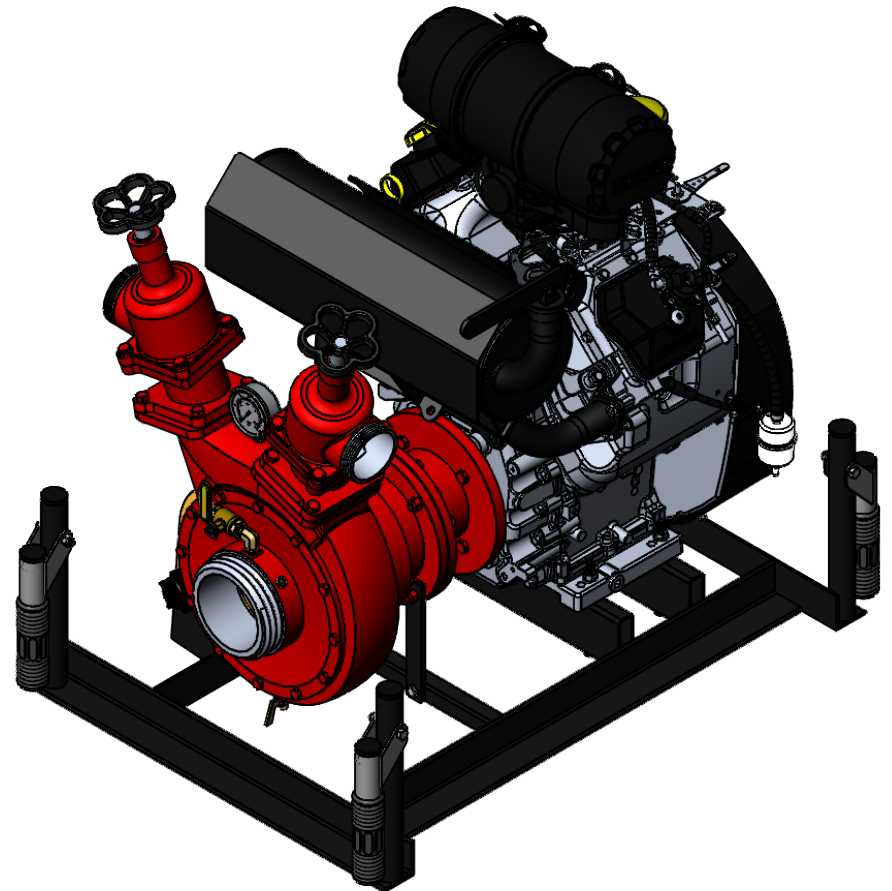
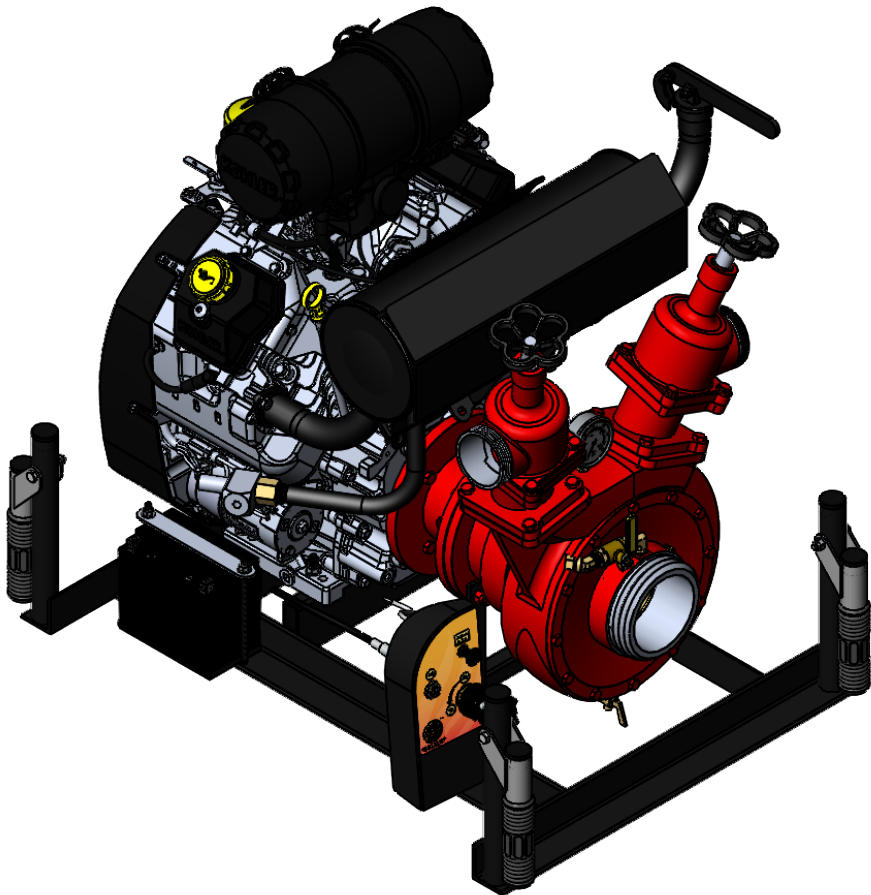
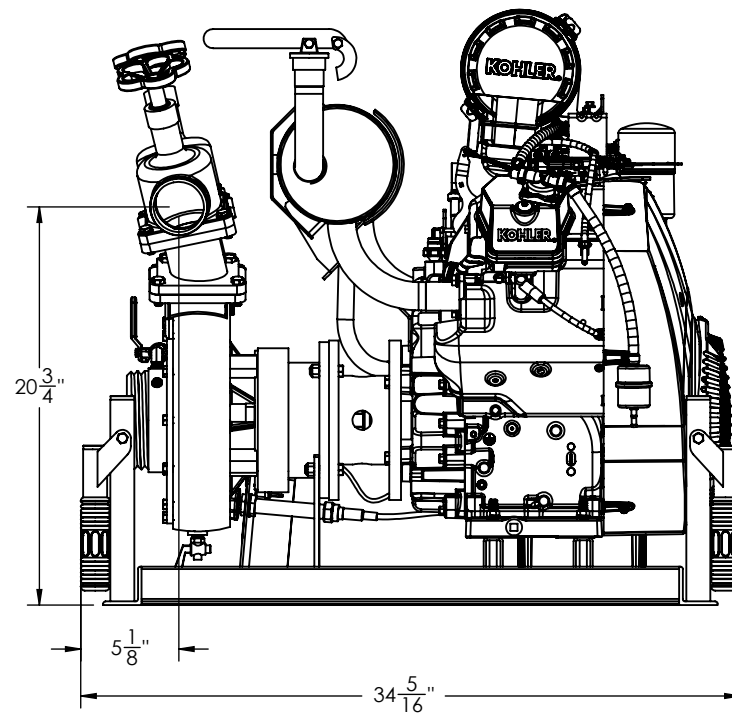
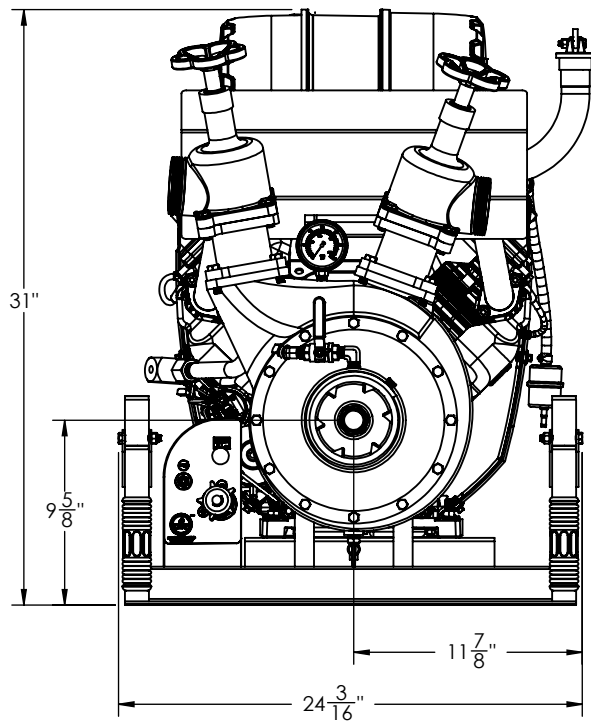


MID-RANGE PORTABLE PUMP
PPF-38hpKHL-MF
CH1000 KOHLER WITH MID-RANGE PUMP



WE CAN CUSTOMIZE AS YOU WANT



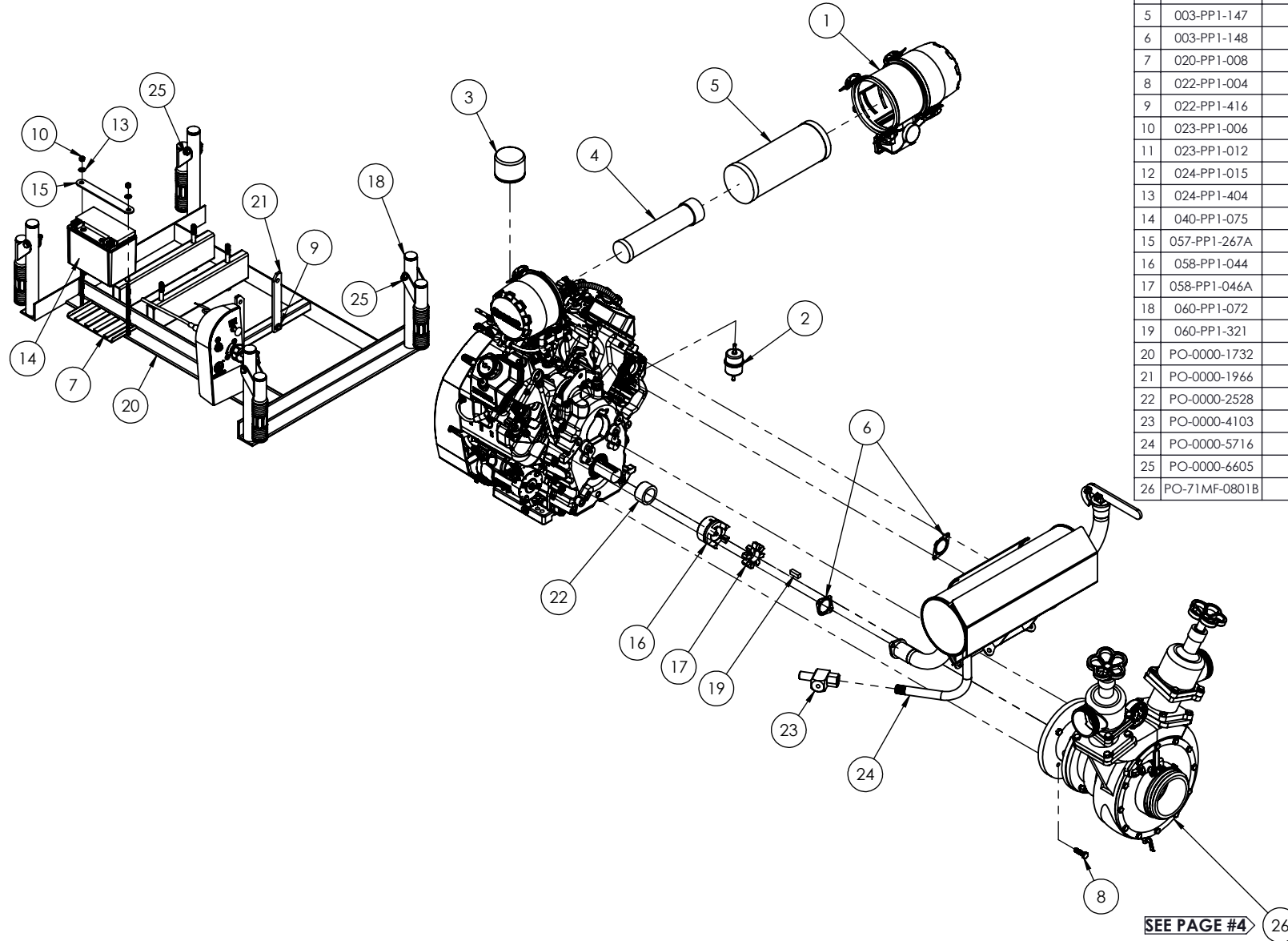
CREATED	TITLE : PFP-38hpKHL-MF
BY: T.F.	
DATE: 16-08-18	
VERIFIED	No:
BY: M.P.	PO-71MF-0703-A
DATE: 16-08-18	

WARNING

THIS DOCUMENT REMAINS THE PROPERTY OF C.E.T. FIRE PUMPS MFG.

ALL REPRODUCTION WITHOUT WRITTEN AGREEMENT FROM C.E.T. FIRE PUMPS MFG IS TOTALLY PROHIBITED.

REV.	DESCRIPTION	DATE	BY



NO	PART NUMBER	DESCRIPTION	QTY
1	001-PP1-054	KOHLER ENGINE (CH1000), 38hp GAS	1
2	003-PP1-169	FUEL FILTER KOHLER 20, 25 & 27hp	1
3	003-PP1-025	OIL FILTER for 20hp, 25hp, 27hp & 38hp KOHLER	1
4	003-PP1-146	AIR FILTER	1
5	003-PP1-147	AIR FILTER	1
6	003-PP1-148	EXHAUST GASKET	2
7	020-PP1-008	BATTERY FOAM TAPE 1/2' x 3"	4
8	022-PP1-004	HEX. BOLT 3/8"-16 x 1-1/4"	4
9	022-PP1-416	HEX. BOLT 1/4"-20 x 3/4" (SS)	2
10	023-PP1-006	HEX. NYLON LOCKNUT 1/4"-20	2
11	023-PP1-012	HEX. NUT 3/8"-16	4
12	024-PP1-015	LOCK WASHER	4
13	024-PP1-404	FLAT WASHER 1/4" ID x 5/8" OD (SS)	4
14	040-PP1-075	BATTERY 12v	1
15	057-PP1-267A	BATTERY RETAINER PLATE	1
16	058-PP1-044	COUPLING 1-7/16"	1
17	058-PP1-046A	ROTEX 28 - SPIDER	1
18	060-PP1-072	BLACK PLASTIC CAP	4
19	060-PP1-321		1
20	PO-0000-1732	HALF FRAME	1
21	PO-0000-1966	SUPPORT BRACKET	2
22	PO-0000-2528	BUSHING	1
23	PO-0000-4103	VENTURY	1
24	PO-0000-5716	EXHAUST	1
25	PO-0000-6605	LARGE HANDLE	4
26	PO-71MF-0801B	PUMP END ACCESSORIES ASSEMBLY	1

SEE PAGE #4 26



CREATED	TITLE : PFP-38hpKHL-MF
BY: T.F.	
DATE: 16-08-18	
VERIFIED	No: PO-71MF-0703-A
BY: M.P.	
DATE: 16-08-18	

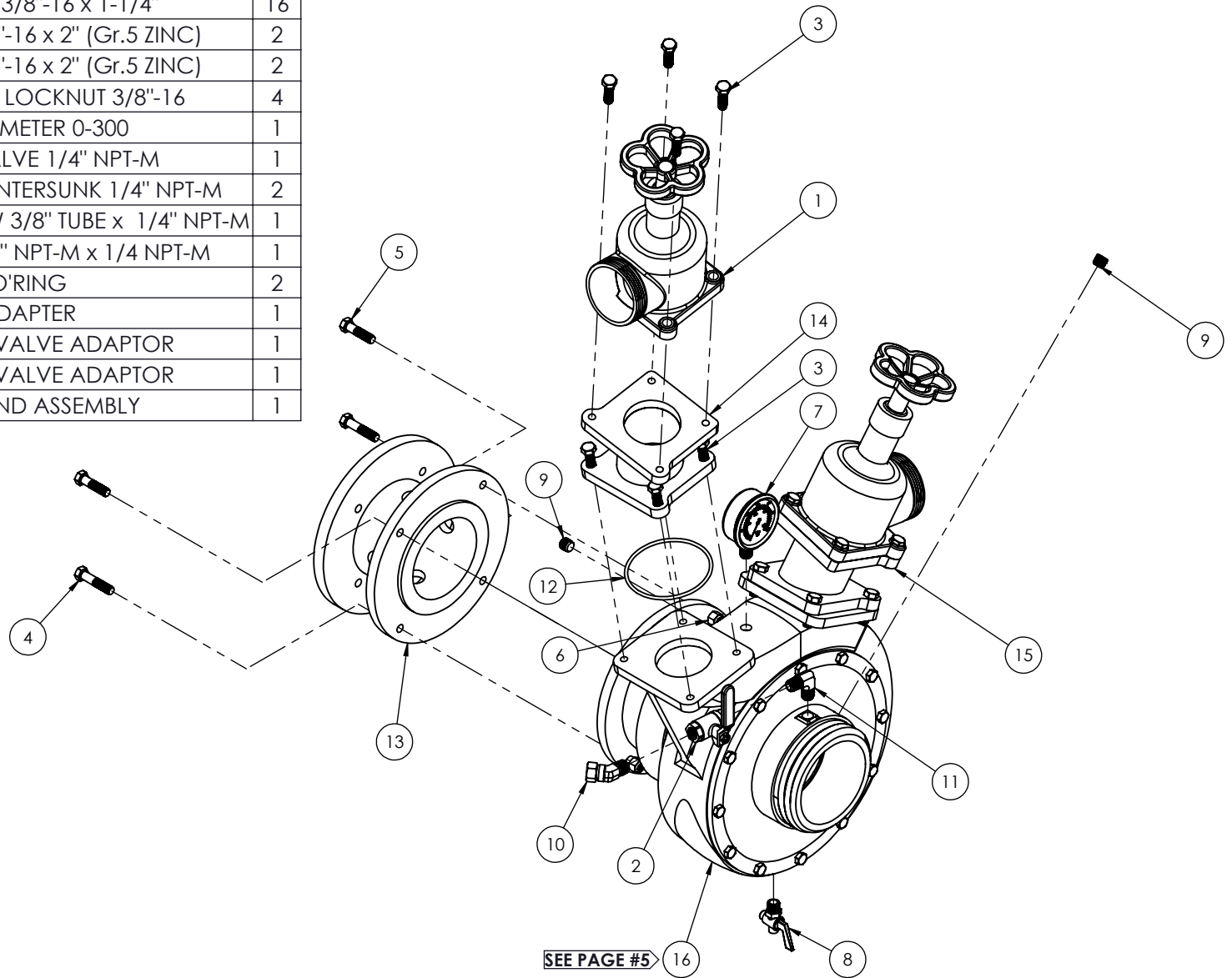
WARNING

THIS DOCUMENT REMAINS THE PROPERTY OF C.E.T. FIRE PUMPS MFG.

ALL REPRODUCTION WITHOUT WRITTEN AGREEMENT FROM C.E.T. FIRE PUMPS MFG IS TOTALLY PROHIBITED.

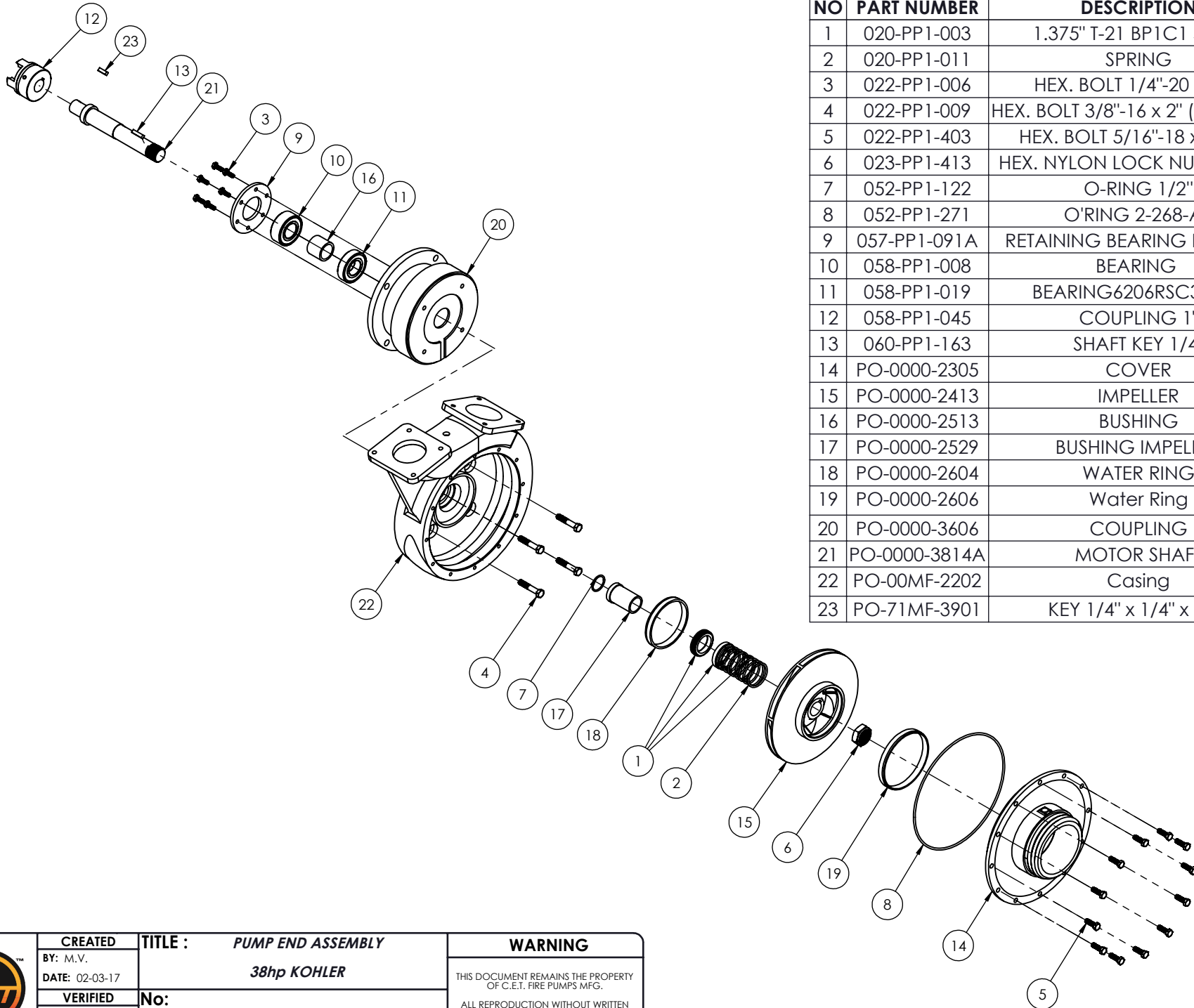
REV.	DESCRIPTION	DATE	BY

NO	PART NUMBER	DESCRIPTION	QTY
1	005-PP1-010	VALVE AWG 2-1/2"	2
2	005-PP1-205	BALL VALVE 1/4" NPT-F	1
3	022-PP1-004	HEX. BOLT 3/8"-16 x 1-1/4"	16
4	022-PP1-010	HEX. BOLT 3/8"-16 x 2" (Gr.5 ZINC)	2
5	022-PP1-032	HEX. BOLT 3/8"-16 x 2" (Gr.5 ZINC)	2
6	023-PP1-001	HEX. NYLON LOCKNUT 3/8"-16	4
7	034-PP1-005	MANOMETER 0-300	1
8	045-PP1-086	DRAIN VALVE 1/4" NPT-M	1
9	045-PP1-101	PLUG HEX COUNTERSUNK 1/4" NPT-M	2
10	045-PP1-162	COMP. 45° ELBOW 3/8" TUBE x 1/4" NPT-M	1
11	045-PP1-224	90° ELBOW 1/4" NPT-M x 1/4" NPT-M	1
12	052-PP1-239	O'RING	2
13	PO-0000-3612	ADAPTER	1
14	PO-0000-7703	AWG3105 VALVE ADAPTOR	1
15	PO-0000-7704	AWG3105 VALVE ADAPTOR	1
16	PO-00MF-2101B	PUMP END ASSEMBLY	1



	CREATED	TITLE : PUMP END ACCESSORIES ASSEMBLY	WARNING THIS DOCUMENT REMAINS THE PROPERTY OF C.E.T. FIRE PUMPS MFG. ALL REPRODUCTION WITHOUT WRITTEN AGREEMENT FROM C.E.T. FIRE PUMPS MFG IS TOTALLY PROHIBITED.
	BY: M.V.	38hp KOHLER	
	DATE: 03-03-17	No:	
	VERIFIED	PO-71MF-0801B	
BY:			
DATE:			

REV.	DESCRIPTION	DATE	BY



NO	PART NUMBER	DESCRIPTION	QTY
1	020-PP1-003	1.375" T-21 BP1C1 SEALS	1
2	020-PP1-011	SPRING	1
3	022-PP1-006	HEX. BOLT 1/4"-20 x 3/4"	6
4	022-PP1-009	HEX. BOLT 3/8"-16 x 2" (Gr.5 ZINC)	4
5	022-PP1-403	HEX. BOLT 5/16"-18 x 1" (SS)	12
6	023-PP1-413	HEX. NYLON LOCK NUT 1"-8 (SS)	1
7	052-PP1-122	O-RING 1/2"	1
8	052-PP1-271	O'RING 2-268-AB	1
9	057-PP1-091A	RETAINING BEARING BRACKET	1
10	058-PP1-008	BEARING	1
11	058-PP1-019	BEARING6206RSC3 FAG	1
12	058-PP1-045	COUPLING 1"	1
13	060-PP1-163	SHAFT KEY 1/4"	1
14	PO-0000-2305	COVER	1
15	PO-0000-2413	IMPELLER	1
16	PO-0000-2513	BUSHING	1
17	PO-0000-2529	BUSHING IMPELLER	1
18	PO-0000-2604	WATER RING	1
19	PO-0000-2606	Water Ring	1
20	PO-0000-3606	COUPLING	1
21	PO-0000-3814A	MOTOR SHAFT	1
22	PO-00MF-2202	Casing	1
23	PO-71MF-3901	KEY 1/4" x 1/4" x 3/4"	1



CREATED	TITLE : PUMP END ASSEMBLY
BY: M.V.	38hp KOHLER
DATE: 02-03-17	
VERIFIED	No: PO-00MF-2101B
BY:	
DATE:	

WARNING

THIS DOCUMENT REMAINS THE PROPERTY OF C.E.T. FIRE PUMPS MFG.

ALL REPRODUCTION WITHOUT WRITTEN AGREEMENT FROM C.E.T. FIRE PUMPS MFG IS TOTALLY PROHIBITED.

REV.	DESCRIPTION	DATE	BY