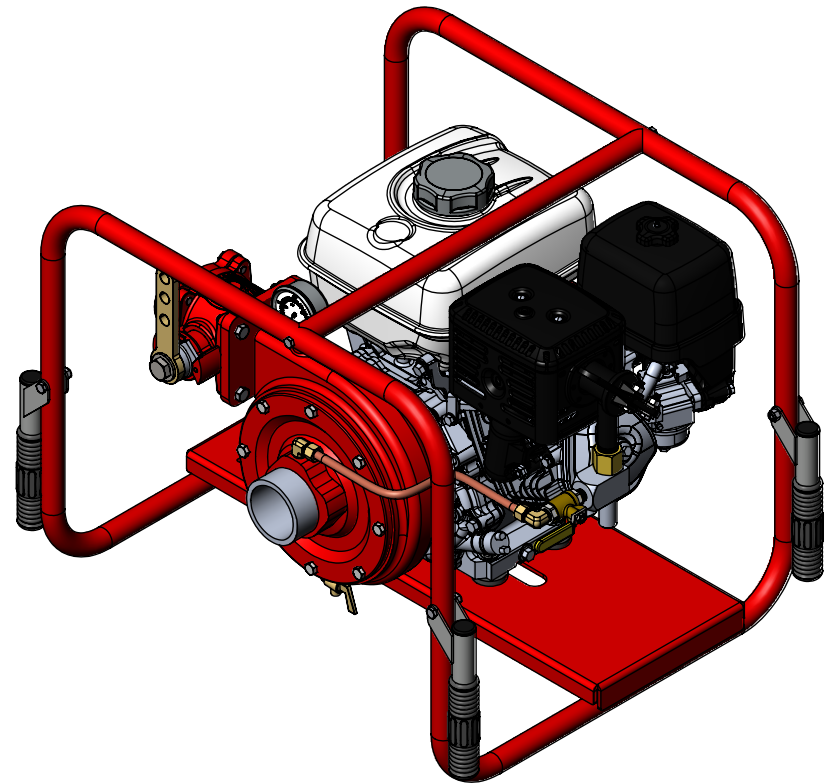
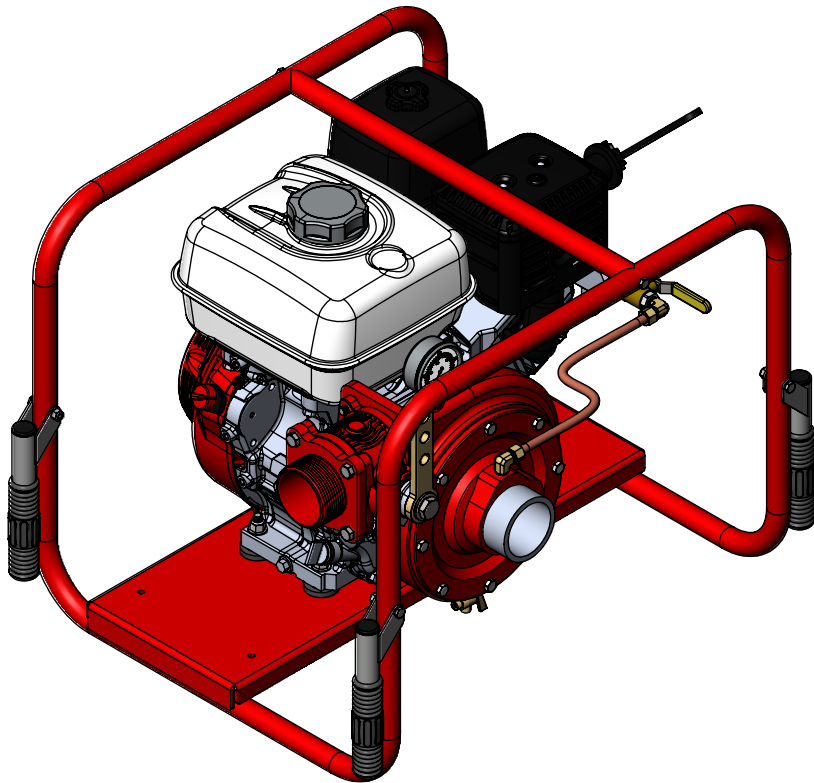
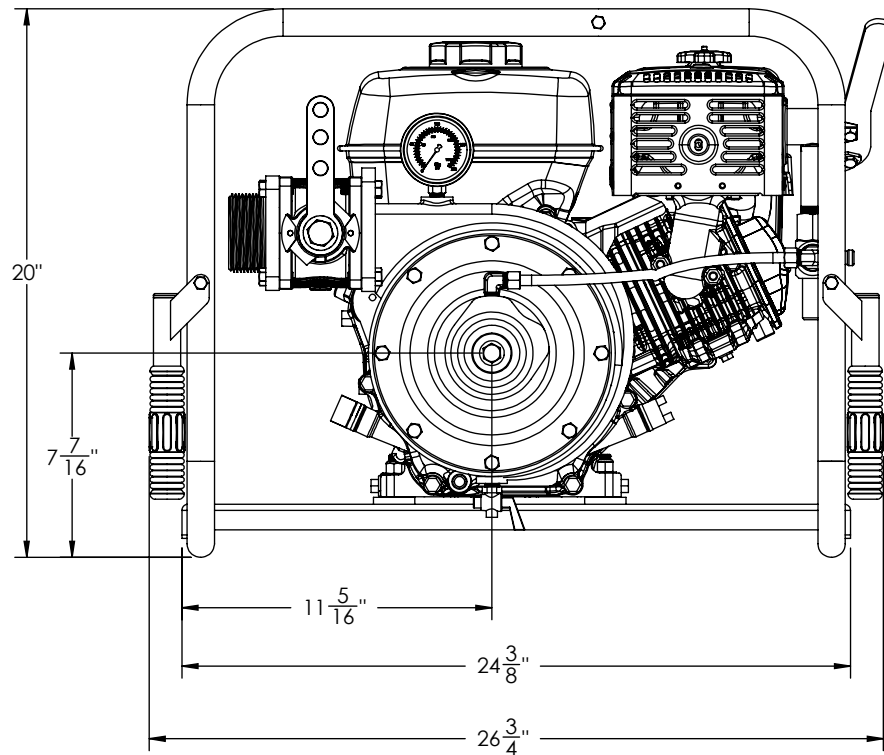
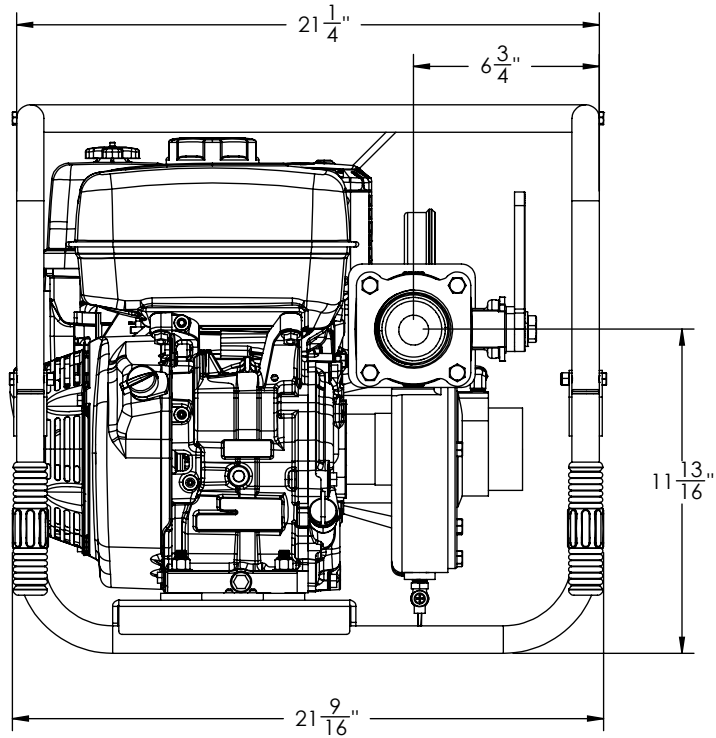


PORTABLE FIRE PUMP
PFP-9hpHND-M
GX270 HONDA WITH HIGH-VOLUME PUMP



WE CAN CUSTOMIZE AS YOU WANT



WET WEIGHT: 115 lbs



nqa.
ISO 9001
 Registered
 Quality
 Management

CREATED
 BY: M.P.
 DATE: 29-08-16
VERIFIED
 BY: M.P.
 DATE: 29-08-16

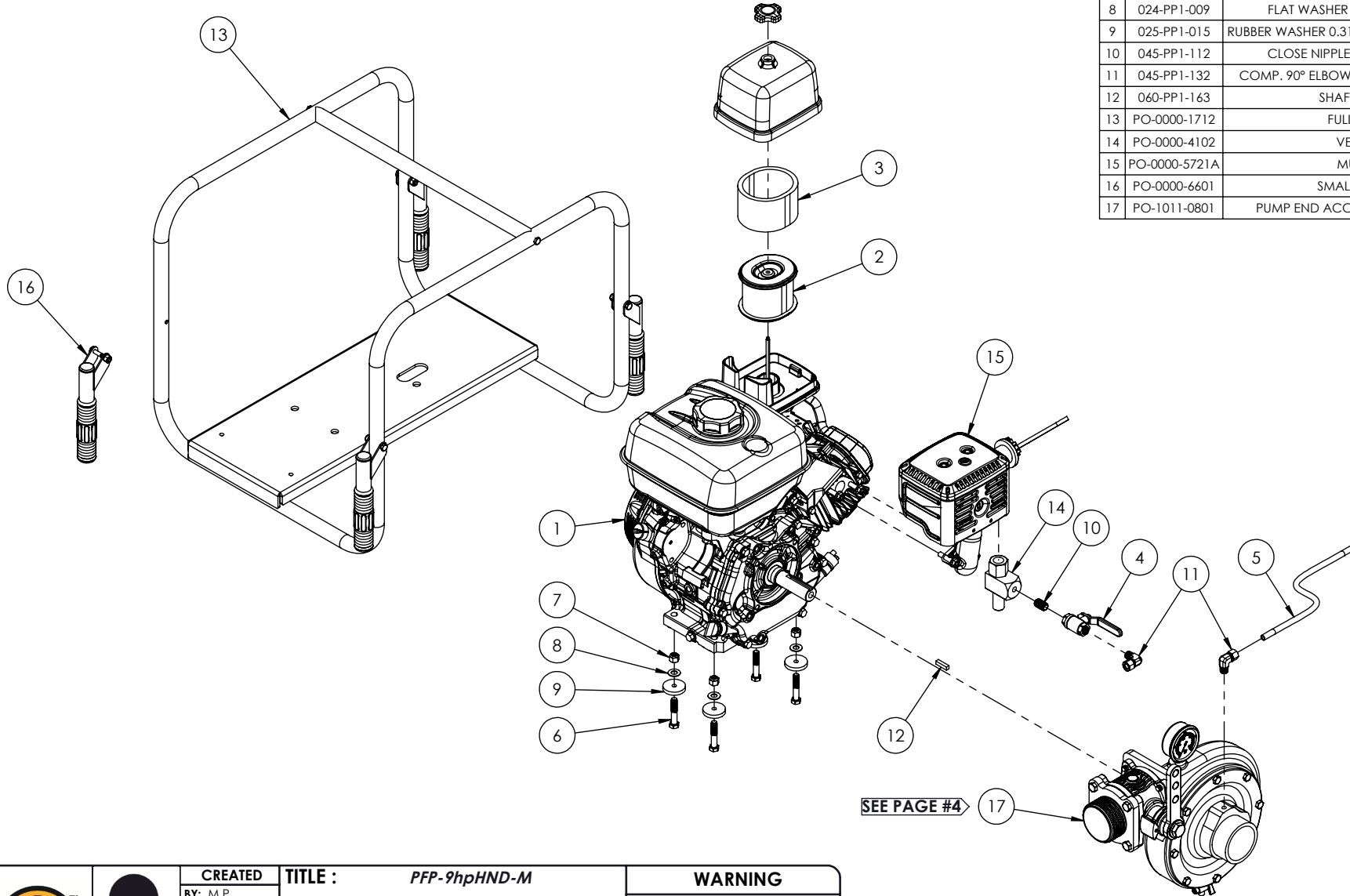
TITLE : PFP-9hpHND-M
 FULL FRAME
No: PO-1011-0701-A

WARNING

THIS DOCUMENT REMAINS THE PROPERTY OF C.E.T. FIRE PUMPS MFG.
 ALL REPRODUCTION WITHOUT WRITTEN AGREEMENT FROM C.E.T. FIRE PUMPS MFG IS TOTALLY PROHIBITED.

REV.	DESCRIPTION	DATE	BY
A	Version A	01-01-16	M.P.

NO	PART NUMBER	DESCRIPTION	QTY
1	001-PP1-005	HONDA ENGINE (GX270), MANUAL 9hp GAS	1
2	003-PP1-104	AIR FILTER	1
3	003-PP1-151	AIR FILTER FOAM	1
4	005-PP1-205	BALL VALVE 1/4" NPT-F	1
5	010-PP1-999	COPPER TUBE 3/8" x 13"	1
6	022-PP1-009	HEX. BOLT 3/8"-16 x 2" (Gr.5 ZINC)	4
7	023-PP1-001	HEX. NYLON LOCKNUT 3/8"-16	4
8	024-PP1-009	FLAT WASHER 3/8" int. x 7/8" ext.	4
9	025-PP1-015	RUBBER WASHER 0.312" INT x 1.5" EXT. x 1/4" TK	4
10	045-PP1-112	CLOSE NIPPLE BRASS 1/4" NPT-M	1
11	045-PP1-132	COMP. 90° ELBOW 3/8" TUBE x 1/4" NPT-M	2
12	060-PP1-163	SHAFT KEY 1/4"	1
13	PO-0000-1712	FULL FRAME	1
14	PO-0000-4102	VENTURY	1
15	PO-0000-5721A	MUFFLER	1
16	PO-0000-6601	SMALL HANDLE	4
17	PO-1011-0801	PUMP END ACCESSORIES ASSEMBLY	1



CREATED
 BY: M.P.
 DATE: 29-08-16
VERIFIED
 BY: M.P.
 DATE: 29-08-16

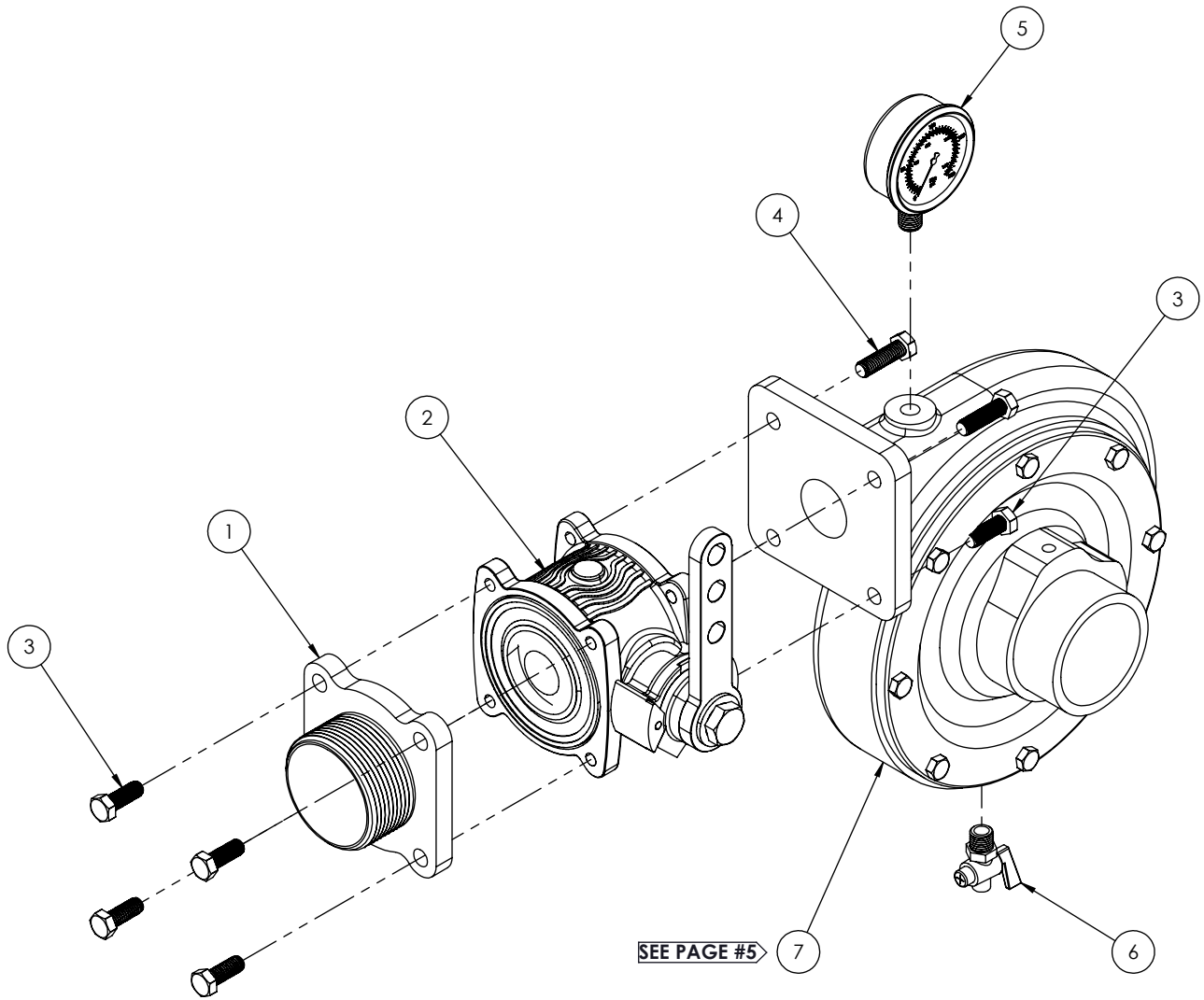
TITLE : PFP-9hpHND-M
 FULL FRAME
No: PO-1011-0701-A

WARNING

THIS DOCUMENT REMAINS THE PROPERTY OF C.E.T. FIRE PUMPS MFG.
 ALL REPRODUCTION WITHOUT WRITTEN AGREEMENT FROM C.E.T. FIRE PUMPS MFG IS TOTALLY PROHIBITED.

REV.	DESCRIPTION	DATE	BY
A	Version A	01-01-16	M.P.

NO	PART NUMBER	DESCRIPTION	QTY
1	002-PP1-302	FLANGE 2-1/2" M	1
2	005-PP1-012	FIRE GRADE VALVE 2"	1
3	022-PP1-003	HEX. BOLT 3/8-16 x 1"	5
4	022-PP1-004	HEX. BOLT 3/8"-16 x 1-1/4"	3
5	034-PP1-014	MANOMETER 0-200	1
6	045-PP1-086	DRAIN VALVE 1/4" NPT-M	1
7	PO-0011-2101	PUMP END ASSEMBLY	1



SEE PAGE #5



nqa.
ISO 9001
Registered
Quality
Management

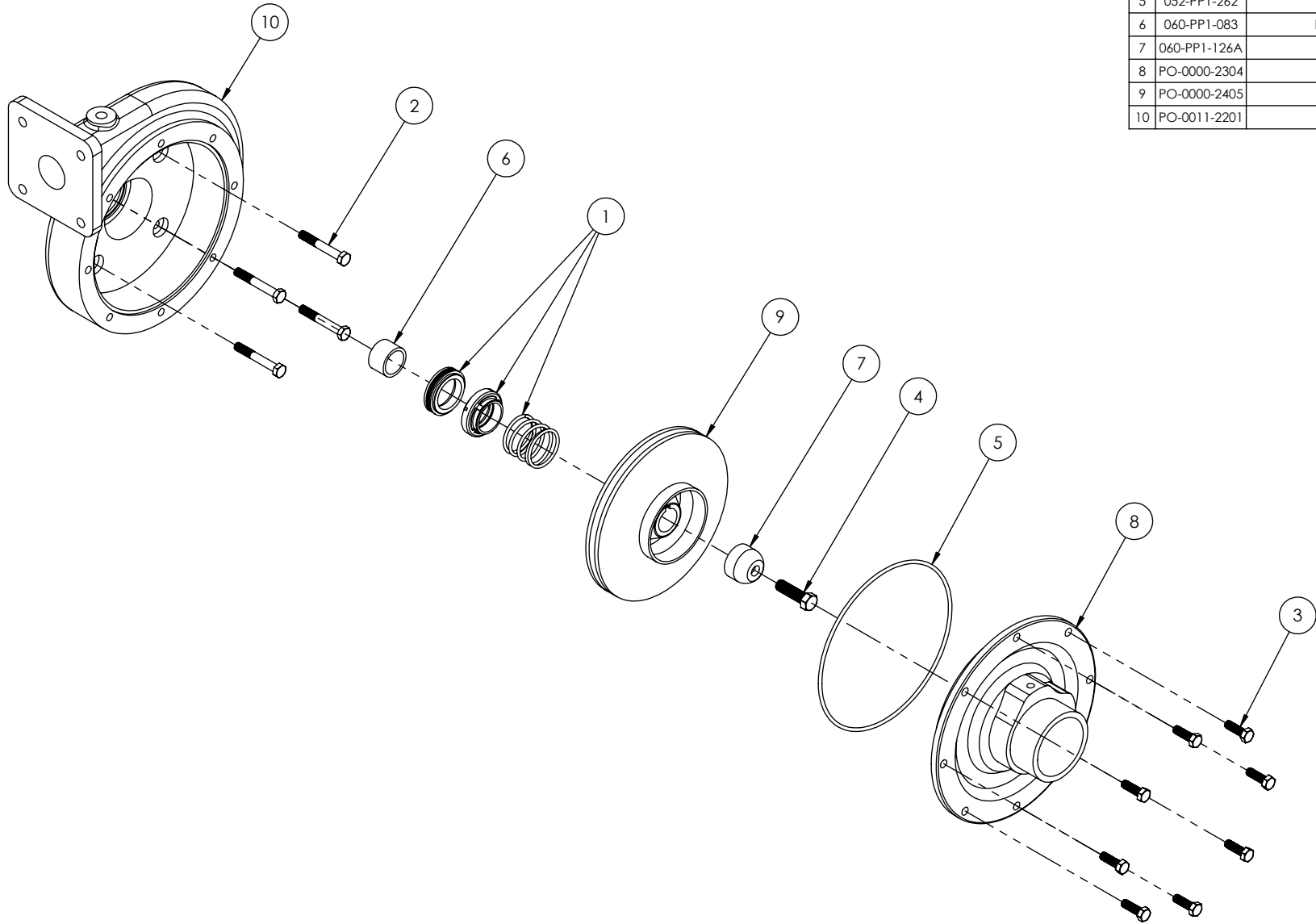
CREATED
BY: M.P.
DATE: 26-08-16
VERIFIED
BY: M.P.
DATE: 26-08-16

TITLE **PUMP END ACCESSORIES ASSEMBLY**
9hp Honda M - 11
No: **PO-1011-0801**

WARNING
THIS DOCUMENT REMAINS THE PROPERTY
OF C.E.T. FIRE PUMPS MFG.
ALL REPRODUCTION WITHOUT WRITTEN
AGREEMENT FROM C.E.T. FIRE PUMPS MFG
IS TOTALLY PROHIBITED.

REV.	DESCRIPTION	DATE	BY
A	Version A	01-01-16	M.P.

NO	PART NUMBER	DESCRIPTION	QTY
1	020-PP1-002	MECHANICAL SEAL 1-1/4" (SS)	1
2	022-PP1-401	HEX. BOLT 5/16"-24 x 2-1/4" (SS)	4
3	022-PP1-403	HEX. BOLT 5/16"-18 x 1" (SS)	8
4	022-PP1-409	HEX. BOLT 7/16"-20 x 1-1/2" (SS)	1
5	052-PP1-262	O-RING	1
6	060-PP1-083	BUSHING	1
7	060-PP1-126A	CAP	1
8	PO-0000-2304	COVER	1
9	PO-0000-2405	IMPELLER	1
10	PO-0011-2201	CASING	1



nqa.
ISO 9001
Registered
Quality
Management

CREATED
BY: M.P.
DATE: 26-08-16
VERIFIED
BY: M.P.
DATE: 26-08-16

TITLE : **PUMP END ASSEMBLY**
9hp Honda - 11
No: **PO-0011-2101**

WARNING
THIS DOCUMENT REMAINS THE PROPERTY
OF C.E.T. FIRE PUMPS MFG.
ALL REPRODUCTION WITHOUT WRITTEN
AGREEMENT FROM C.E.T. FIRE PUMPS MFG
IS TOTALLY PROHIBITED.

A	Version A	01-01-16	M.P.
REV.	DESCRIPTION	DATE	BY