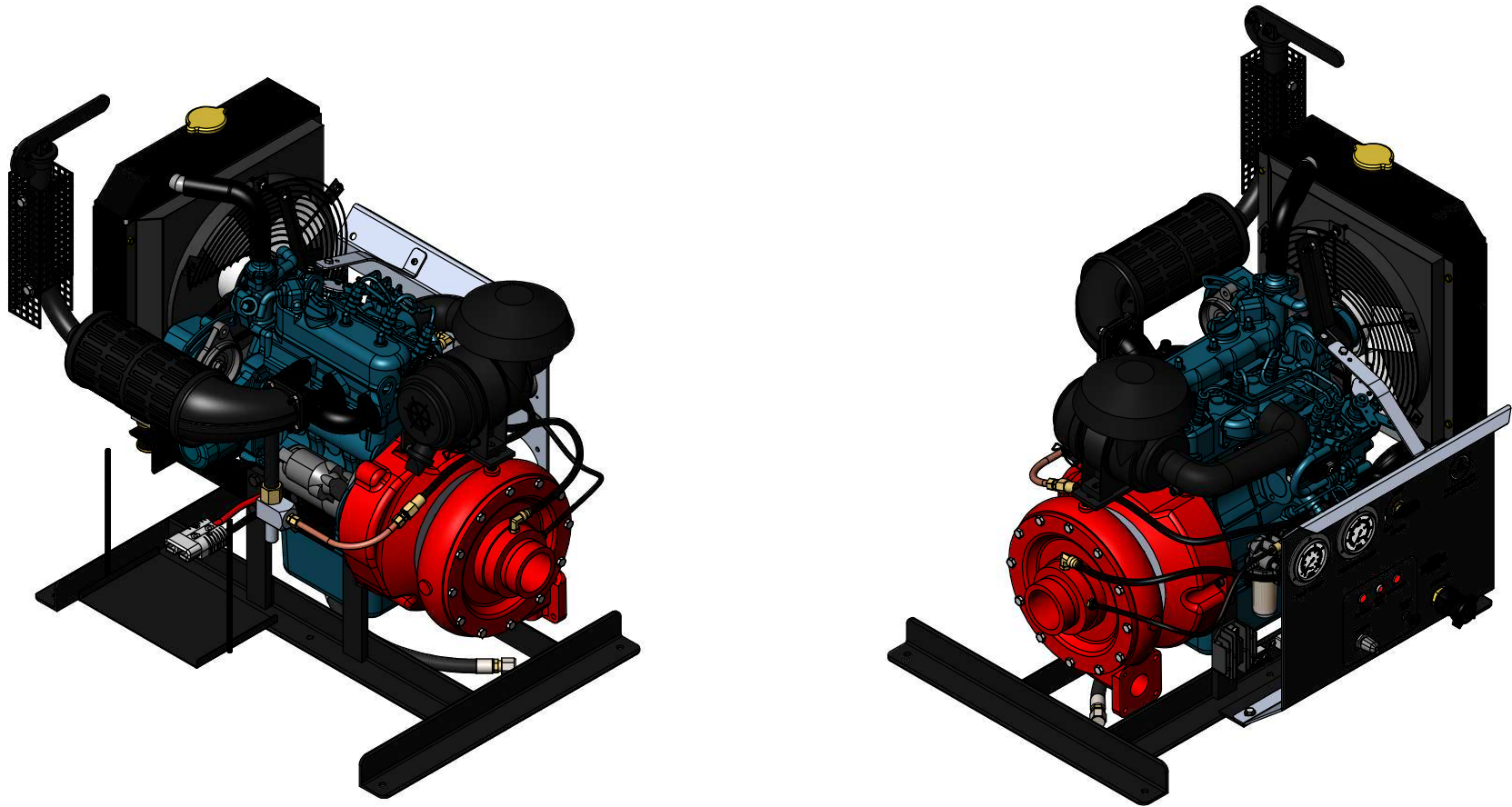
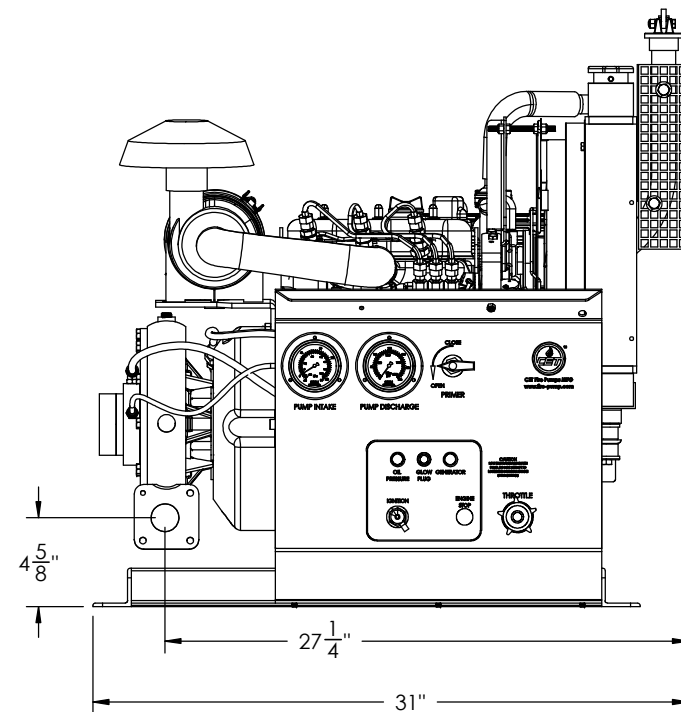
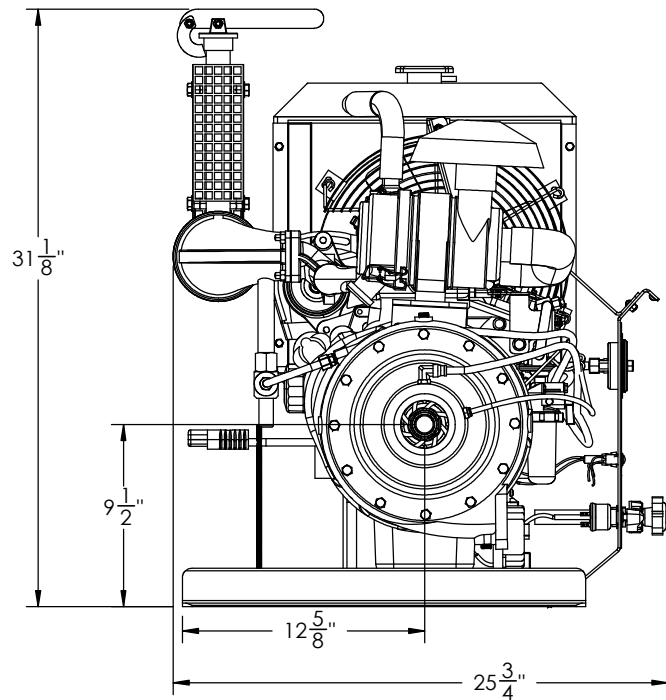




SKID FRAME
SM-PFP-21hpKBT-DSL-MR
D722 KUBOTA WITH MID-RANGE PUMP

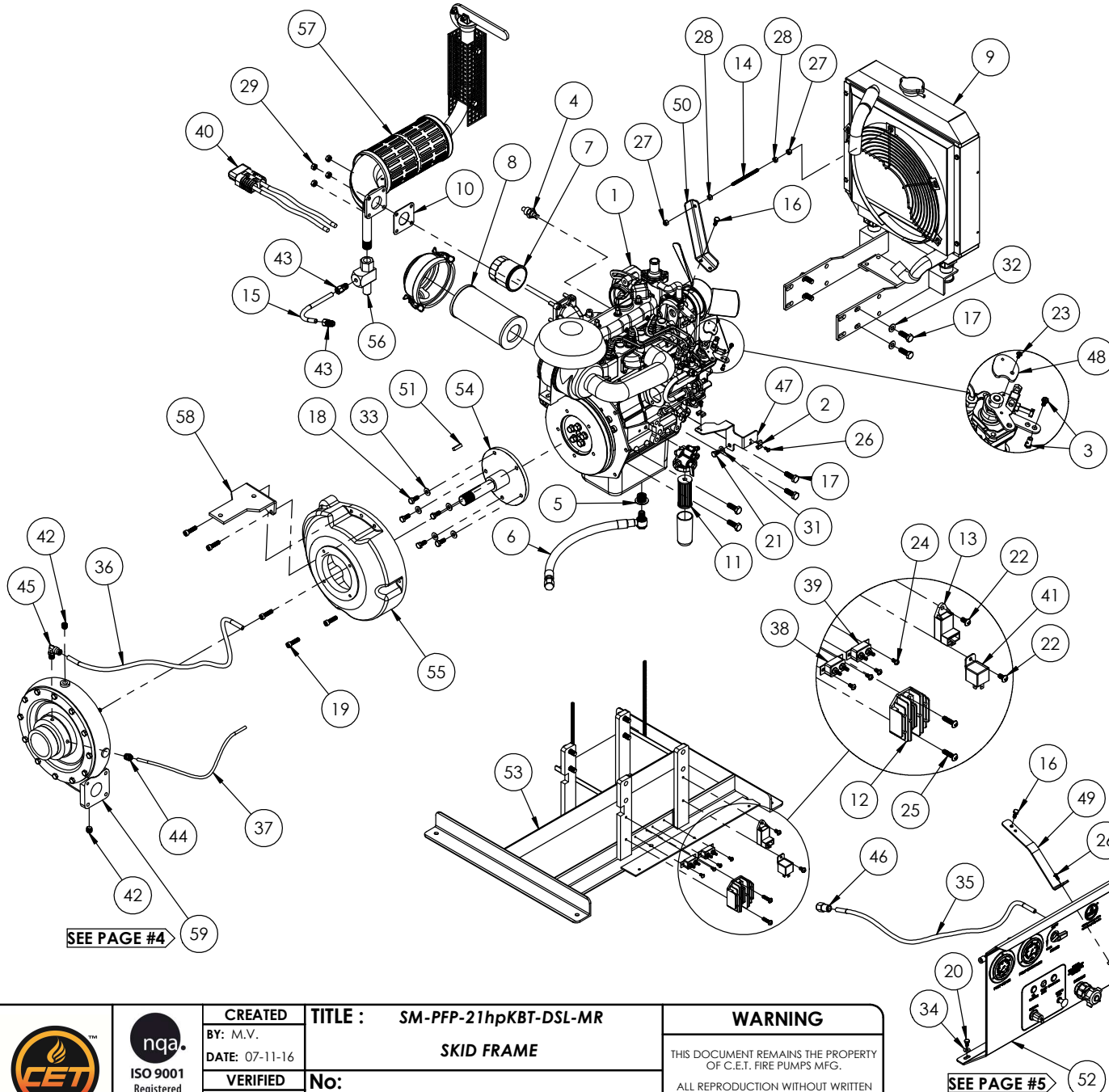


WE CAN CUSTOMIZE AS YOU WANT



WET WEIGHT: 282 Lbs

		CREATED BY: M.V. DATE: 07-11-16	TITLE : SM-PFP-21hpKBT-DSL-MR SKID FRAME	WARNING THIS DOCUMENT REMAINS THE PROPERTY OF C.E.T. FIRE PUMPS MFG. ALL REPRODUCTION WITHOUT WRITTEN AGREEMENT FROM C.E.T. FIRE PUMPS MFG IS TOTALLY PROHIBITED.	REV.	DESCRIPTION	DATE	BY
		VERIFIED BY: - DATE:	No: PO-44MR-0702-A					



NO	PART NUMBER	DESCRIPTION	QTY
1	001-PP1-020	21hp KUBOTA ENGINE (D722)	1
2	003-PP1-001	CLAMP	2
3	003-PP1-020	CLAMP SWIVEL	1
4	003-PP1-027	TEMPERATURE SWITCH	1
5	003-PP1-028	PLUG M22 x 1.5MLB	1
6	003-PP1-036	DRAIN 24" M14 x 1.5 W/ 3/8 NPT	1
7	003-PP1-045	OIL FILTER	1
8	003-PP1-121	AIR FILTER	1
9	003-PP1-122	RADIATOR	1
10	003-PP1-123	GASKET MUFFLER	1
11	003-PP1-132	FUEL FILTER	1
12	003-PP1-133	KUBOTA VOLTAGE REGULATOR RECTIFIER	1
13	003-PP1-134	GLOW PLUG TIMER	1
14	010-PP1-594	THREADED ROD 1/4"-20 x 3-1/2"	1
15	010-PP1-999	COPPER TUBE 3/8" x 8"	1
16	022-PP1-006	HEX. BOLT 1/4"-20 x 3/4"	2
17	022-PP1-303	HEX. BOLT M10-1.25 x 30	12
18	022-PP1-306	HEX. BOLT M8-1.25 x 20	5
19	022-PP1-311	SOCKET HEAD CAP SCREW M8-1.25 x 30	5
20	022-PP1-432	HEX. BOLT 1/4"-20 x 1/2" (SS)	3
21	022-PP1-444	HEX. BOLT 5/16"-18 x 1/2" (SS)	1
22	022-PP1-850	MACHINE SCREW 1/4"-20" x 1/2" (SS)	2
23	022-PP1-863	MACHINE SCREW 6-32 x 1/2" (SS)	1
24	022-PP1-879	MACHINE SCREW ROUND HEAD 10-24 x 3/8" (SS)	4
25	022-PP1-888	MACHINE SCREW 1/4"-20" x 1/2" (SS)	2
26	022-PP1-991	MACHINE SCREW ROUND HEAD 10-24 x 1/2" (SS)	3
27	023-PP1-006	HEX. NYLON LOCKNUT 1/4"-20	2
28	023-PP1-011	HEX. NUT 1/4"-20	2
29	023-PP1-013	HEX. NUT M8-1.25	4
30	023-PP1-408	HEX. NYLON LOCKNUT 10-24 (SS)	1
31	024-PP1-004	FLAT WASHER 5/16" ID x 3/4" OD	1
32	024-PP1-009	FLAT WASHER 3/8" int. x 7/8" ext.	4
33	024-PP1-400	FLAT WASHER 5/16" ID x 3/4" OD (SS)	5
34	024-PP1-404	FLAT WASHER 1/4" ID x 5/8" OD (SS)	3
35	035-EA1-002	HYDRAULIC HOSE 3/8" x 28"	1
36	035-EA1-002	HYDRAULIC HOSE 100R2 AT 3/8" x 24"	1
37	035-EA1-005	HYDRAULIC HOSE 100R2 AT 1/4" x 14"	1
38	040-EA1-004	BREAKER 15 AMP.	1
39	040-EA1-030	BREAKER 30 AMP.	1
40	040-PP1-035	BATTERY QUICK CONNECT	1
41	040-PP1-410	RELAY	1
42	045-PP1-101	PLUG HEX COUNTERSUNK 1/4" NPT-M	2
43	045-PP1-131	COMP. CONNECTOR 3/8" TUBE x 1/4" NPT-M	2
44	045-PP1-286	DOT CONNECTOR TUBE 1/4" to PIPE 1/4" NPT-M	1
45	045-PP1-306	SWIVEL 90 DEG. DOT 3/8" to 1/4" NPT-M	1
46	045-PP1-312	PIPE CONNECTOR 3/8" TUBE x 1/4" D.O.T.	1
47	057-PP1-063	CHOKE BRACKET	1
48	057-PP1-064	TROTTLE BRACKET	1
49	057-PP1-098B	CONTROL PANEL BRACKET	1
50	057-PP1-248	RADIATOR BRACKET	1
51	060-PP1-163	SHAFT KEY 1/4"	1
52	PO-0000-1613	CONTROL PANEL	1
53	PO-0000-1707	SKID FRAME	1
54	PO-0000-3201B	MOTOR'S SHAFT	1
55	PO-0000-3701	BELL HOUSING	1
56	PO-0000-4101	VENTURY	1
57	PO-0000-5706	MUFFLER	1
58	PO-0000-6707	AIR FILTER BOX BRACKET	1
59	PO-44MR-2101A	PUMP END MR	1

SEE PAGE #4

SEE PAGE #5



CREATED
BY: M.V.
DATE: 07-11-16
VERIFIED
BY: -
DATE:

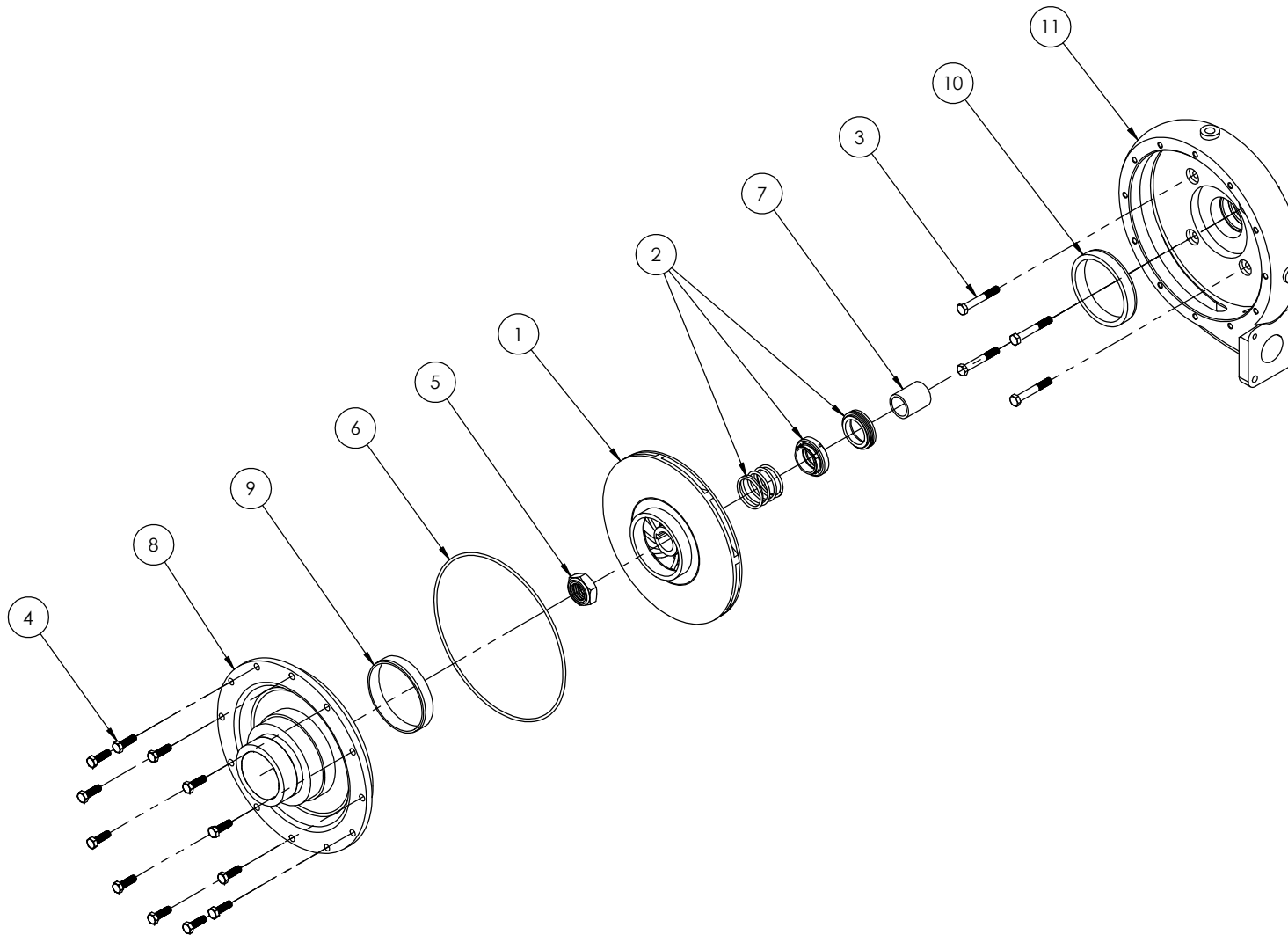
TITLE : SM-PP1-21hpKBT-DSL-MR
SKID FRAME
No: PO-44MR-0702-A

WARNING

THIS DOCUMENT REMAINS THE PROPERTY OF C.E.T. FIRE PUMPS MFG.
ALL REPRODUCTION WITHOUT WRITTEN AGREEMENT FROM C.E.T. FIRE PUMPS MFG IS TOTALLY PROHIBITED.

REV.	DESCRIPTION	DATE	BY

NO	PART NUMBER	DESCRIPTION	QTY
1	002-PP1-012	IMPELLER MR	1
2	020-PP1-002	MECHANICAL SEAL 1-1/4" (SS)	1
3	022-PP1-401	HEX. BOLT 5/16"-24 x 2-1/4" (SS)	4
4	022-PP1-403	HEX. BOLT 5/16"-18 x 1" (SS)	12
5	023-PP1-413	HEX. NYLON LOCK NUT 1"-8 (SS)	1
6	052-PP1-268	O'RING	1
7	060-PP1-069A	BUSHING	1
8	PO-0000-2301	COVER MR	1
9	PO-0000-2601	WATER RING COVER	1
10	PO-0000-2602	WATER RING CASING	1
11	PO-00MR-2201B	CASING MR	1



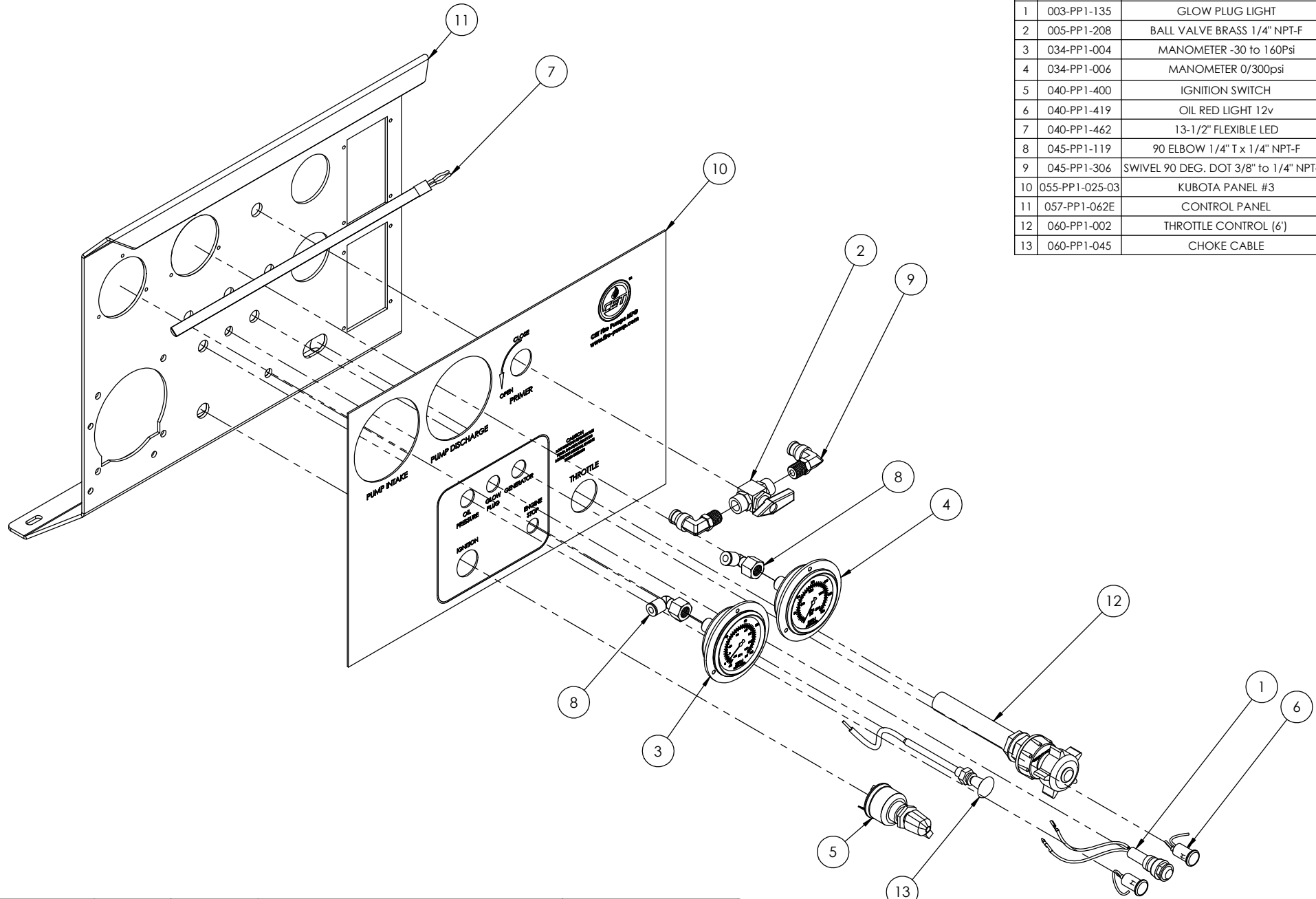
nqa.
 ISO 9001
 Registered
 Quality
 Management

CREATED
 BY: M.V.
 DATE: 10-07-13
VERIFIED
 BY: A.B.
 DATE:



TITLE : PUMP END ASSEMBLY
 21hpKBT-DSL-MR
No: PO-44MR-2101A

WARNING
 THIS DOCUMENT REMAINS THE PROPERTY
 OF C.E.T. FIRE PUMPS MFG.
 ALL REPRODUCTION WITHOUT WRITTEN
 AGREEMENT FROM C.E.T. FIRE PUMPS MFG
 IS TOTALLY PROHIBITED.

REV.	DESCRIPTION	DATE	BY



NO	PART NUMBER	DESCRIPTION	QTY
1	003-PP1-135	GLOW PLUG LIGHT	1
2	005-PP1-208	BALL VALVE BRASS 1/4" NPT-F	1
3	034-PP1-004	MANOMETER -30 to 160Psi	1
4	034-PP1-006	MANOMETER 0/300psi	1
5	040-PP1-400	IGNITION SWITCH	1
6	040-PP1-419	OIL RED LIGHT 12v	2
7	040-PP1-462	13-1/2" FLEXIBLE LED	1
8	045-PP1-119	90 ELBOW 1/4" T x 1/4" NPT-F	2
9	045-PP1-306	SWIVEL 90 DEG. DOT 3/8" to 1/4" NPT-M	2
10	055-PP1-025-03	KUBOTA PANEL #3	1
11	057-PP1-062E	CONTROL PANEL	1
12	060-PP1-002	THROTTLE CONTROL (6')	1
13	060-PP1-045	CHOKE CABLE	1

		CREATED BY: M.V. DATE: 03-10-16	TITLE : CONTROL PANEL KUBOTA #3	WARNING THIS DOCUMENT REMAINS THE PROPERTY OF C.E.T. FIRE PUMPS MFG. ALL REPRODUCTION WITHOUT WRITTEN AGREEMENT FROM C.E.T. FIRE PUMPS MFG IS TOTALLY PROHIBITED.
		VERIFIED BY: - DATE:	No: PO-0000-1613	

REV.	DESCRIPTION	DATE	BY