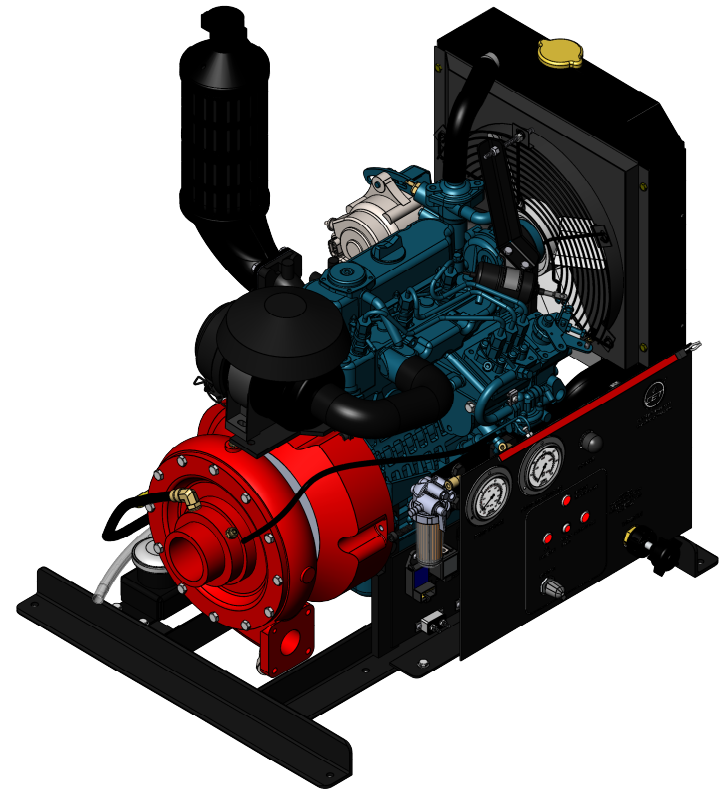
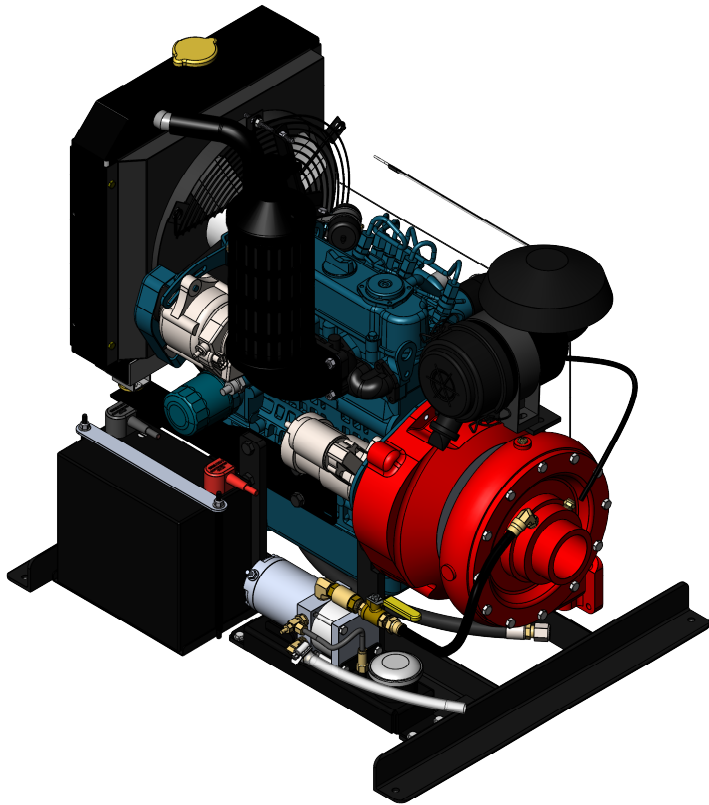
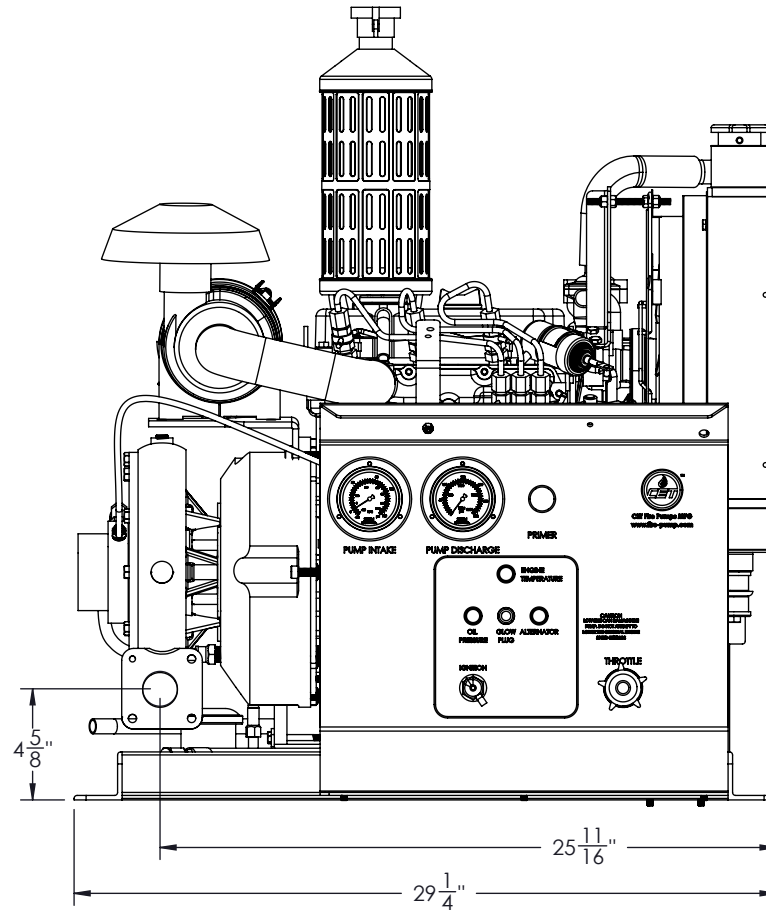
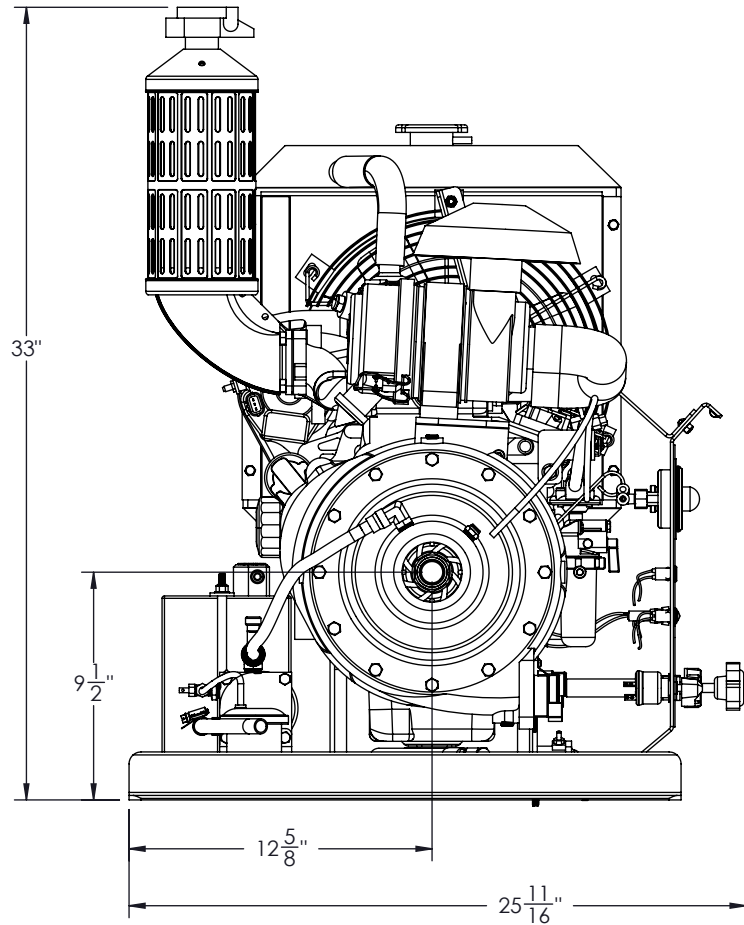


SKID MOUNTED FIRE PUMP
SM-PFP-25hpKBT-DSL-MR
D902 KUBOTA WITH MID-RANGE PUMP



WE CAN CUSTOMIZE AS YOU WANT



WET WEIGHT: 308 lbs



nqa.
ISO 9001
Registered
Quality
Management

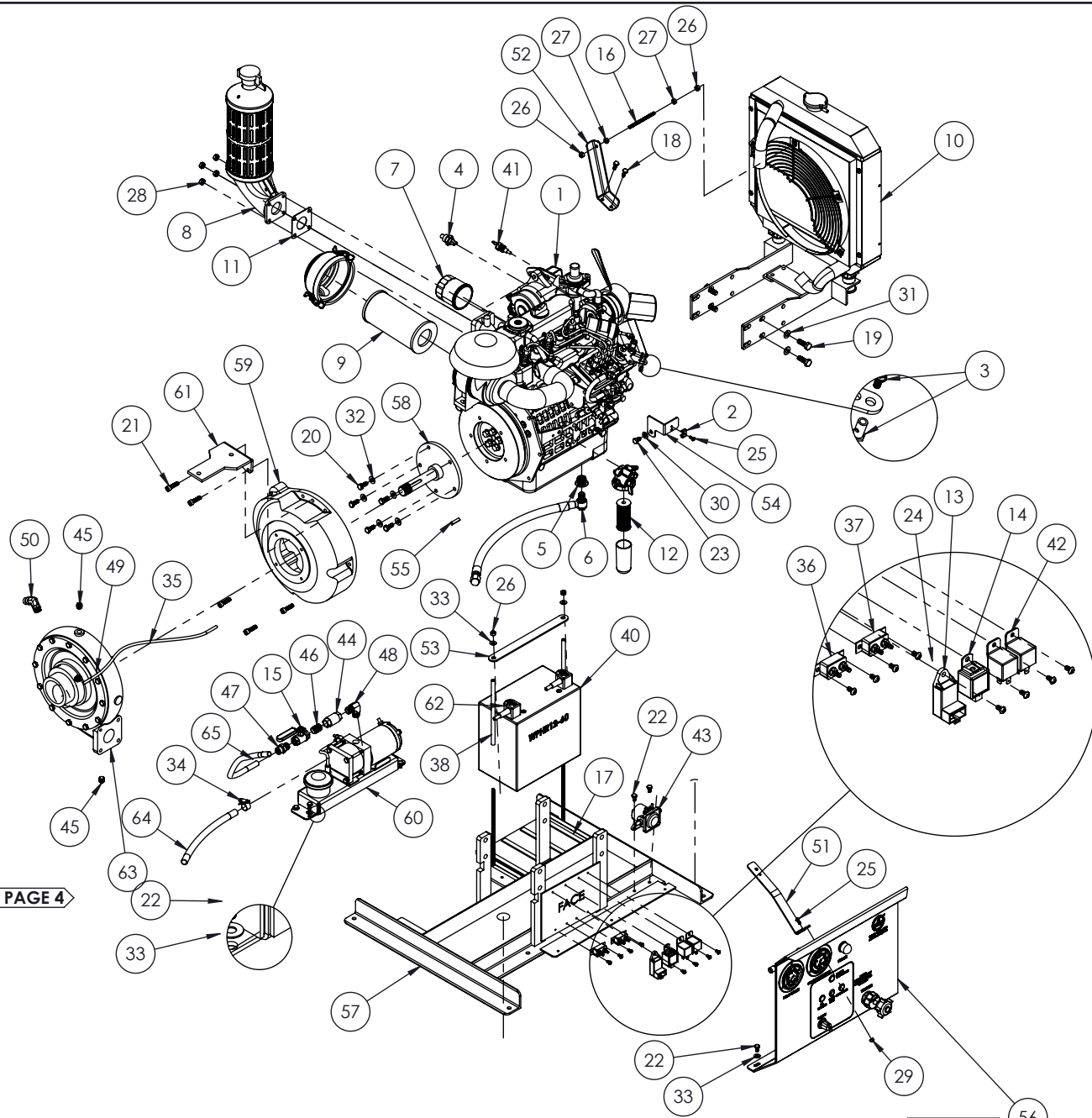
CREATED
BY: M.V.
DATE: 19-12-16
VERIFIED
BY: -
DATE:

TITLE : SM-PFP-25hpDSL-MR
No: **PO-48MR-0702-A**

WARNING

THIS DOCUMENT REMAINS THE PROPERTY OF C.E.T. FIRE PUMPS MFG.
ALL REPRODUCTION WITHOUT WRITTEN AGREEMENT FROM C.E.T. FIRE PUMPS MFG IS TOTALLY PROHIBITED.

REV.	DESCRIPTION	DATE	BY



NO	PART NUMBER	DESCRIPTION	QTY
1	001-PP1-023	25hp KUBOTA ENGINE (D902)	1
2	003-PP1-001	CLAMP	1
3	003-PP1-020	CLAMP SWIVEL	1
4	003-PP1-027	TEMPERATURE SWITCH	1
5	003-PP1-028	PLUG M22 x 1.5MLB	1
6	003-PP1-036	DRAIN 24" M14 x 1.5 W/ 3/8 NPT	1
7	003-PP1-045	OIL FILTER	1
8	003-PP1-047	MUFFLER KUBOTA	1
9	003-PP1-121	AIR FILTER	1
10	003-PP1-122	RADIATOR	1
11	003-PP1-123	GASKET MUFFLER	1
12	003-PP1-132	FUEL FILTER	1
13	003-PP1-134	GLOW PLUG TIMER	1
14	003-PP1-138	DENSO	1
15	005-PP1-202	BALL VALVE 3/8" NPT-F	1
16	010-PP1-594	THREADED ROD 1/4"-20 x 3-1/2"	1
17	020-PP1-008	BATTERY FOAM TAPE 1/2" x 6"	4
18	022-PP1-006	HEX. BOLT 1/4"-20 x 3/4"	2
19	022-PP1-303	HEX. BOLT M10-1.25 x 30	12
20	022-PP1-306	HEX. BOLT M8-1.25 x 20	5
21	022-PP1-311	SOCKET HEAD CAP SCREW M8-1.25 x 30	5
22	022-PP1-432	HEX. BOLT 1/4"-20 x 1/2" (SS)	9
23	022-PP1-444	HEX. BOLT 5/16"-18 x 1/2" (SS)	1
24	022-PP1-879	MACHINE SCREW ROUND HEAD 10-24 x 3/8" (SS)	8
25	022-PP1-991	MACHINE SCREW ROUND HEAD 10-24 x 1/2" (SS)	2
26	023-PP1-006	HEX. NYLON LOCKNUT 1/4"-20	4
27	023-PP1-011	HEX. NUT 1/4"-20	2
28	023-PP1-013	HEX. NUT M8-1.25	4
29	023-PP1-408	HEX. NYLON LOCKNUT 10-24 (SS)	1
30	024-PP1-004	FLAT WASHER 5/16" ID x 3/4" OD	1
31	024-PP1-009	FLAT WASHER 3/8" int. x 7/8" ext.	4
32	024-PP1-400	FLAT WASHER 5/16" ID x 3/4" OD (SS)	5
33	024-PP1-404	FLAT WASHER 1/4" ID x 5/8" OD (SS)	9
34	025-PP1-095	HOSE CLAMP HC6-16	1
35	035-EA1-005	HYDRAULIC HOSE 100R2 AT 1/4" x 16"	1
36	040-EA1-004	BREAKER 15 AMP.	1
37	040-EA1-030	BREAKER 30 AMP.	1
38	040-PP1-005	TUBE for BATTERY ROD 1/4" x 7-3/4" BLACK	2
39	040-PP1-029	BATTERY CABLE (BLACK)	1
40	040-PP1-037	SEALED BATTERY	1
41	040-PP1-402	SOLENOID	1
42	040-PP1-410	RELAY	2
43	040-PP1-465	SOLENOID	1
44	045-PP1-068	CHECK VALVE 3/8" SPRING RETURN	1
45	045-PP1-101	PLUG HEX COUNTERSUNK 1/4" NPT-M	2
46	045-PP1-172	CLOSED NIPPLE BRASS 3/8" NPT-M	1
47	045-PP1-181	D.O.T. CONNECTOR 1/2" TUBE x 3/8" NPT-M	1
48	045-PP1-205	90deg ELBOW 3/8" NPT-M	1
49	045-PP1-286	DOT CONNECTOR TUBE 1/4" to PIPE 1/4" NPT-M	1
50	045-PP1-350	ELBOW 90 Deg. TUBE 1/2" to 3/8" NPT-M	1
51	057-PP1-098B	CONTROL PANEL BRACKET	1
52	057-PP1-248	RADIATOR BRACKET	1
53	057-PP1-305	BATTERY RETAINER PLATE	1
54	057-PP1-315	CHOKE BRACKET	1
55	060-PP1-163	SHAFT KEY 1/4"	1
56	PO-0000-1618	CONTROL PANEL	1
57	PO-0000-1710A	SKID FRAME	1
58	PO-0000-3202	MOTOR'S SHAFT	1
59	PO-0000-3701	BELL HOUSING	1
60	PO-0000-4201	ELECTRIC PRIMER	1
61	PO-0000-6707	AIR FILTER BOX BRACKET	1
62	PO-0000-9818	BATTERY CABLE	1
63	PO-48MR-2101	PUMP END MR	1
64	PO-48MR-4601	HOSE 1/2" I.D. x 10" (TRANSPARENT)	1
65	PO-48MR-4602	HYDRAULIC HOSE 100R2 1/2" x 14"	1

SEE PAGE 4

SEE PAGE 5



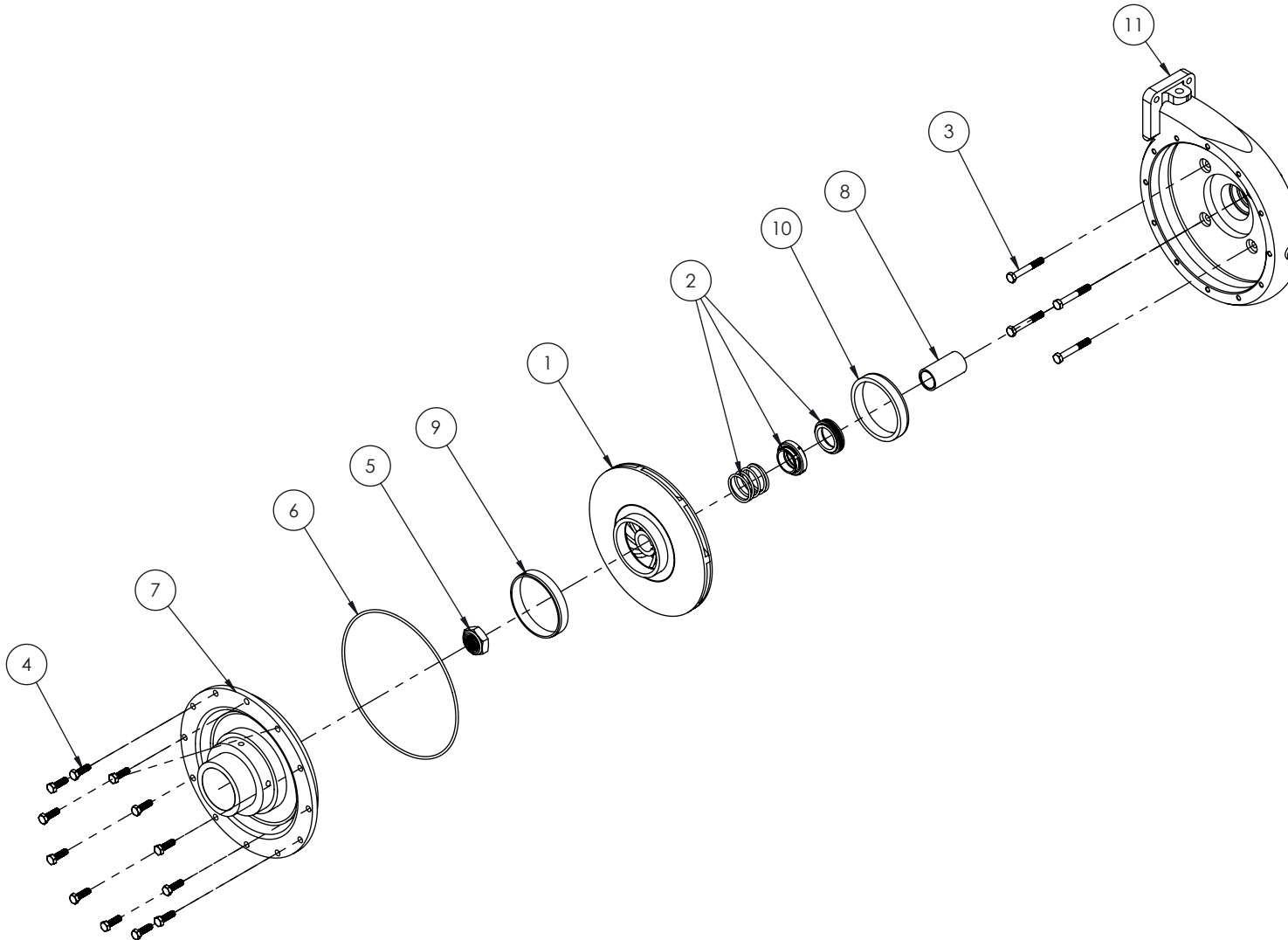
CREATED
BY: M.V.
DATE: 19-12-16
VERIFIED
BY: -
DATE:

TITLE : **SM-PFP-25hpDSL-MR**
PO-48MR-0702-A

WARNING
THIS DOCUMENT REMAINS THE PROPERTY OF C.E.T. FIRE PUMPS MFG.
ALL REPRODUCTION WITHOUT WRITTEN AGREEMENT FROM C.E.T. FIRE PUMPS MFG IS TOTALLY PROHIBITED.

REV.	DESCRIPTION	DATE	BY

NO	PART NUMBER	DESCRIPTION	QTY
1	002-PP1-012	IMPELLER MR	1
2	020-PP1-002	MECHANICAL SEAL 1-1/4" (SS)	1
3	022-PP1-401	HEX. BOLT 5/16"-24 x 2-1/4" (SS)	4
4	022-PP1-403	HEX. BOLT 5/16"-18 x 1" (SS)	12
5	023-PP1-413	HEX. NYLON LOCK NUT 1"-8 (SS)	1
6	052-PP1-268	O-RING	1
7	PO-0000-2301	COVER MR	1
8	PO-0000-2504	BUSHING	1
9	PO-0000-2601	WATER RING COVER	1
10	PO-0000-2602	WATER RING CASING	1
11	PO-00MR-2201B	CASING MR	1



CREATED
BY: M.V.
DATE: 07-10-13

VERIFIED
BY: A.B.
DATE:

TITLE : PUMP END MR
25hp KUBOTA

No: PO-48MR-2101

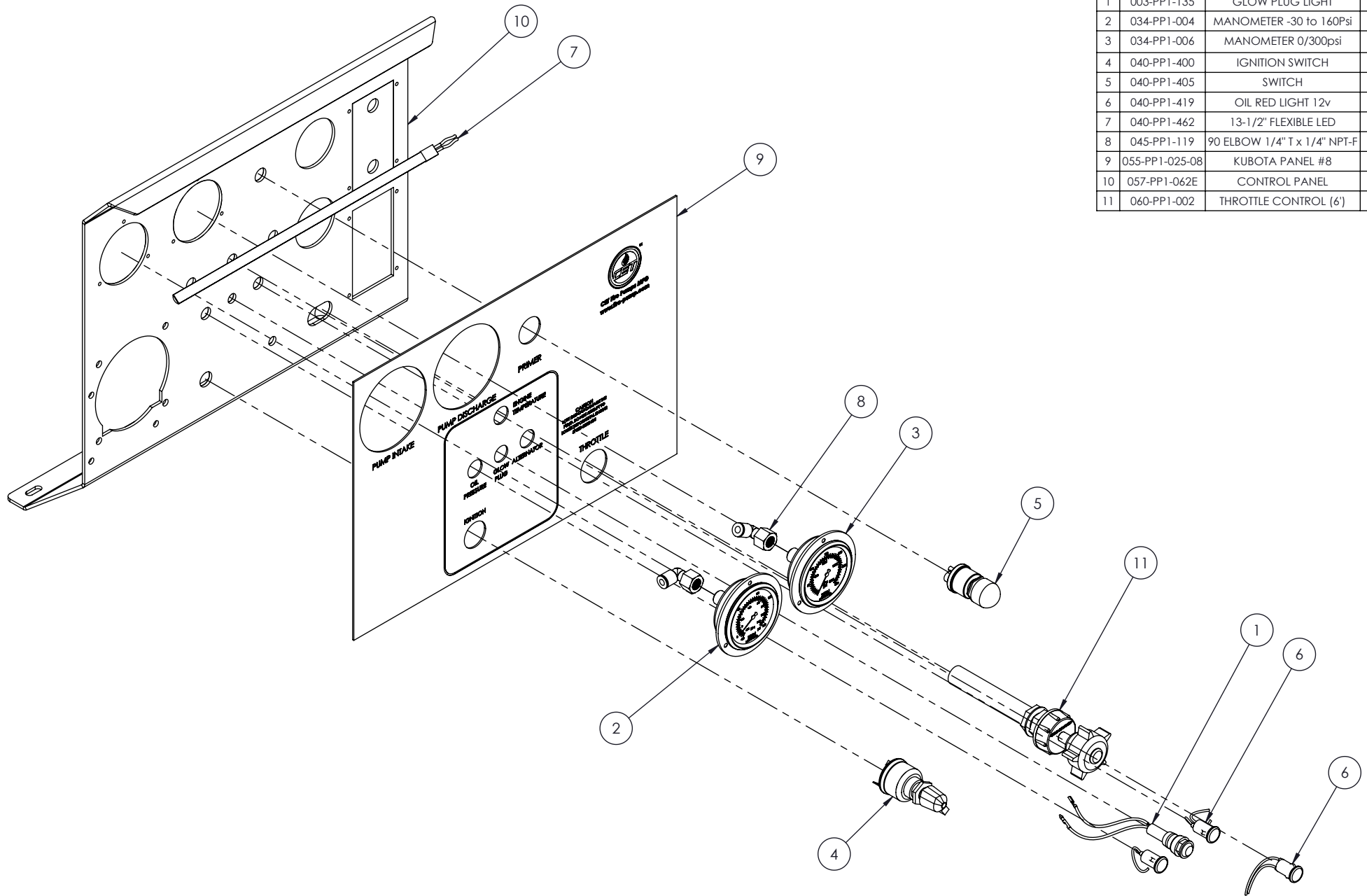
WARNING

THIS DOCUMENT REMAINS THE PROPERTY OF C.E.T. FIRE PUMPS MFG.

ALL REPRODUCTION WITHOUT WRITTEN AGREEMENT FROM C.E.T. FIRE PUMPS MFG IS TOTALLY PROHIBITED.

REV.	DESCRIPTION	DATE	BY

NO	PART NUMBER	DESCRIPTION	QTY
1	003-PP1-135	GLOW PLUG LIGHT	1
2	034-PP1-004	MANOMETER -30 to 160Psi	1
3	034-PP1-006	MANOMETER 0/300psi	1
4	040-PP1-400	IGNITION SWITCH	1
5	040-PP1-405	SWITCH	1
6	040-PP1-419	OIL RED LIGHT 12v	3
7	040-PP1-462	13-1/2" FLEXIBLE LED	1
8	045-PP1-119	90 ELBOW 1/4" T x 1/4" NPT-F	2
9	055-PP1-025-08	KUBOTA PANEL #8	1
10	057-PP1-062E	CONTROL PANEL	1
11	060-PP1-002	THROTTLE CONTROL (6')	1




ISO 9001
 Registered
 Quality
 Management

CREATED
 BY: M.V.
 DATE: 10-11-13
VERIFIED
 BY: A.B.
 DATE:

TITLE : CONTROL PANEL
 KUBOTA #8
No: PO-0000-1618

WARNING
 THIS DOCUMENT REMAINS THE PROPERTY
 OF C.E.T. FIRE PUMPS MFG.
 ALL REPRODUCTION WITHOUT WRITTEN
 AGREEMENT FROM C.E.T. FIRE PUMPS MFG
 IS TOTALLY PROHIBITED.