

**MODEL**

# SPA710-P15

# SPECTRA MOBILE

## Safety Summary:

FRC lighting products are engineered and manufactured with safety in mind. It is critical that FRC lights are handled, maintained, and operated correctly. Read and understand all instructions before handling, performing maintenance, or operating.

## General Safety Precautions:

Do not stare directly at LEDs when light is on. Ensure power switch is off prior to connecting or disconnecting BATTERY.

## Installation Safety Precautions:

Use only the specified nominal 18V DC high discharge battery.

## Description:

The "Spectra Mobile" is based on FRC Spectra MS lamp head providing 15,000 Lumens of bright light. This model features a smart combination of powerful Spot/Flood LEDs to illuminate the scene efficiently. Both close up with the Flood LED's and in the distance with Spot LED's.

## Specifications:

- Compatible with Milwaukee Battery. 18V 12Ah, (8Ah, 5Ah are compatible options.)
- Power Consumption: 120W Max.
- Current draw 7.5Ah Max. to 0.2Ah Min. based on 15.9V - 21V battery op. range
- Flood, Spot, Warm, Amber and Amber flash modes.
- Three brightness level in each mode.
- Dimensions 8 ¾" W x 3 ¼" D x 6 ½" H
- Weight: 7.6 lbs. without battery, 11 lbs. with battery
- Low voltage warning



# SPECTRA MOBILE

## Battery Specifications: 12Ah

	Full	Mid	Low
<b>Flood</b>	1:40	4:20	12:00
	15000lm	5500lm	2000lm
<b>Spot</b>	4:30	9:00	21:30
	5000lm	2500lm	1000lm
<b>Warm</b>	2:10	4:20	12:00
	9800lm	5400lm	1800lm
<b>Amber</b>	2:40	5:20	21:30
	6000lm	3500lm	1000lm

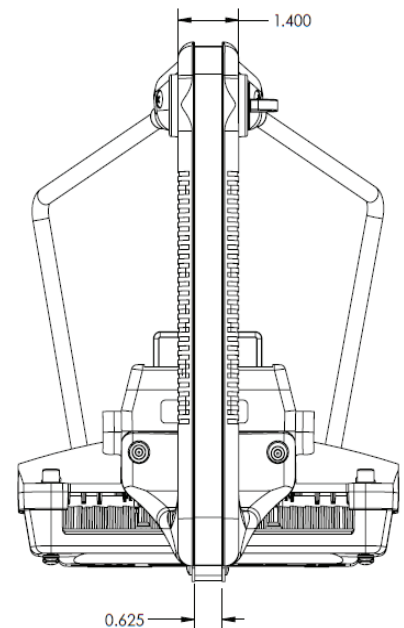
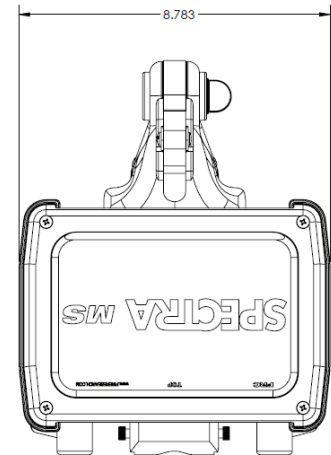
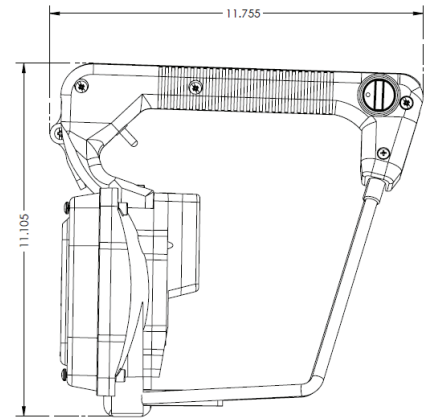
Times are listed in Hours:Minutes

## Operation:

### 5-LIGHT OPERATING MODES:

- Power 'On' Flood and Spot light combined for instant illumination of the work area.
- 1st toggle-Spot only.
- 2nd toggle-Warm light. Combined Amber and white LED's for reduced glare and stress free visual appearance.
- 3rd toggle-Amber light only.
- 4th toggle-Flashing Amber.
- In any operating mode holding the toggle switch will control the intensity of the light from Hi-Med-Low. When in the Amber flashing mode intensity control will start from Low-Med-High.
- Low battery alerts with a "Double Flash" when voltage starts to reach low level. Light will automatically turn off when the battery level is low.

- Rubber strap for hanging the light
- Compact lamp head design only 8 3/4" (222 mm) wide by 3 3/4" (95 mm) deep
- Lexan® lens
- Aluminum pole mount receiver
- ABS molded handle
- 5 position switch
- Retractable spike can be used as a hook to secure the light
- 12Ah rechargeable battery
- Stainless steel legs
- Kick stand



## Maintenance:

- Use a clean soft cloth, mild soap, and water to clean the lens.

**NOTE:** FRC LED lampheads use Lexan lenses and cleaning with abrasive materials, solvents, or most chemical cleaners can cause lens surface degradation and reduced performance of the light. Some chemicals will cause the lens to become brittle and prone to cracking.



A Safe Fleet Brand

FIRE RESEARCH CORPORATION / 26 Southern Blvd., Nesconset, NY 11767

TEL +1 631.724.8888 / FAX +1 631.360.9727 / TOLL FREE 1.800.645.0074

[www.fireresearch.com](http://www.fireresearch.com)