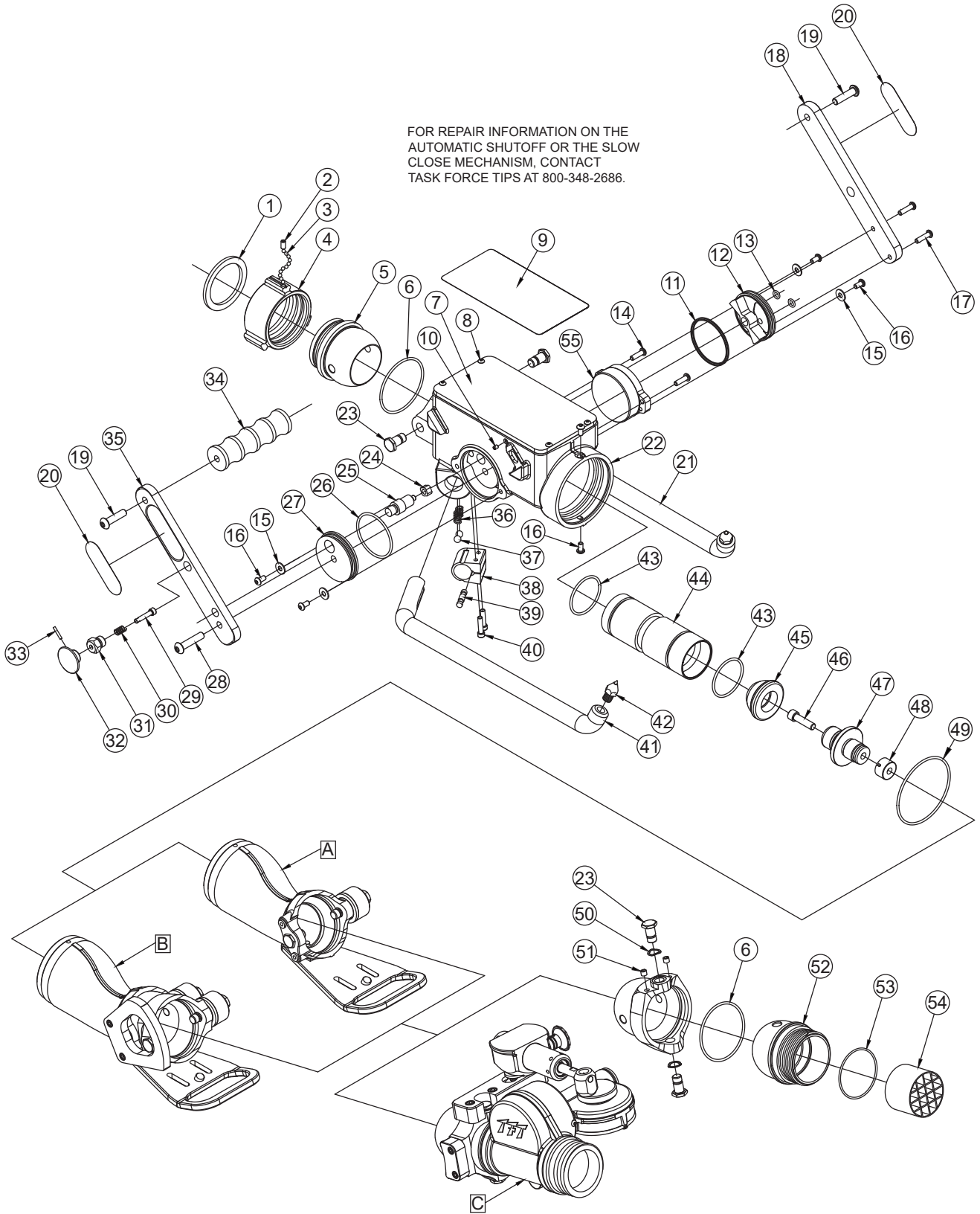


BLITZFIRE MONITOR EXPLODED VIEW

FOR REPAIR INFORMATION ON THE
AUTOMATIC SHUTOFF OR THE SLOW
CLOSE MECHANISM, CONTACT
TASK FORCE TIPS AT 800-348-2686.



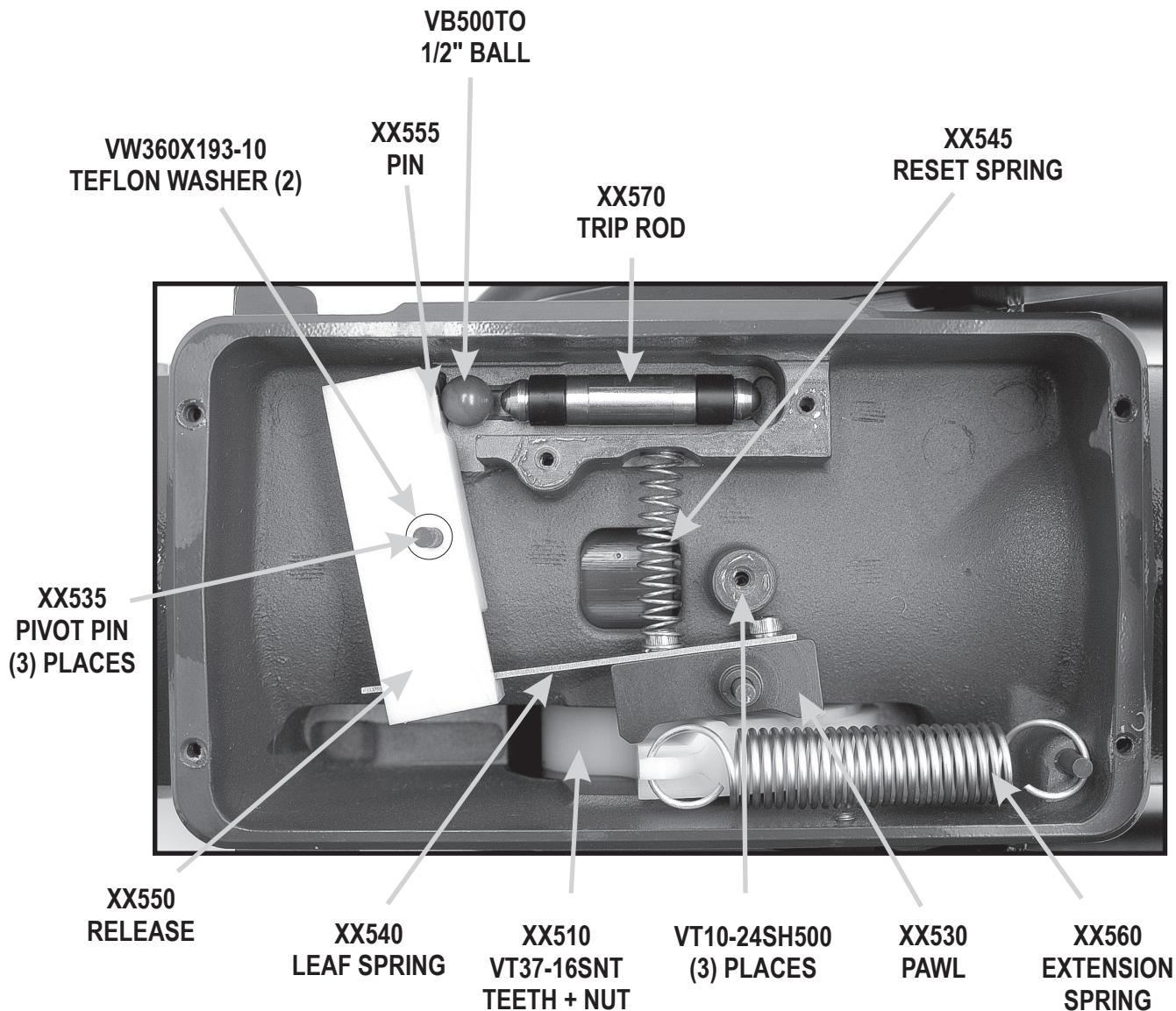
BLITZFIRE MONITOR PARTS LIST

INDEX	DESCRIPTION	QTY	ITEM #
1	GASKET 2.5"	1	V3190
2	1/4-28 X 1/2 SOCKET SET SCREW	1	VT25-28SS500
3	3/16" SS BALL	48	V2120
4	COUPLING 2.5"	1	M307*
5	INLET SWIVEL	1	XX605
6	O-RING-235	2	VO-235
7	COVER PLATE	1	XX205
	COVER PLATE GASKET	1	XX200
8	10-24 1/2 BUTTON HEAD SCREW	4	VT10-24BH500
9	INSTRUCTION LABEL	1	XL670
10	10-24 X 1/4 SOCKET SET SCREW	1	VT10-24SS250
11	QUAD-RING-231	1	VOQ-4231
12	DRAG DISK	1	XX645
13	O-RING-109	2	VO-109
14	1/4-28 X 3/4 BUTTON HEAD CAP SCREW	2	VT25-28BH750
15	WASHER	4	VW500A255-63
16	1/4-28 X 3/8 BUTTON HEAD CAP SCREW	6	VT25-28BH375
17	1/4-20 X 1 BUTTON HEAD SCREW	2	VT25-20BH1.0
18	LEFT HANDLE	1	XX621
19	3/8-16 X 1-1/2 BUTTON HEAD SCREW	2	VT37-16BH1.5
20	HANDLE LABEL	2	XL620
21	LEFT LEG	1	XX470L
22	BODY	1	XX600
	TRIP MECHANISM	1	XX910
23	SWIVEL TRUNNION	4	XX320
24	SQUARE BUSHING	1	XX630
25	CAM PIN	1	XX610
26	O-RING-230 TEFLON	1	VO-230T
27	DISK	1	XX640
28	3/8-16 X 1.7 BUTTON HEAD SCREW	1	VT37-16BH1.7
29	PULL PIN	1	XX343
30	PULL PIN SPRING	1	XX342

INDEX	DESCRIPTION	QTY	ITEM #
31	PULL PIN HOUSING	1	XX355
32	PULL KNOB	1	XX341
33	1/8 X 3/4 HDP SPIROL PIN	1	VP125X750H
34	HANDLE TOP	1	XX625
35	RIGHT HANDLE	1	XX620
36	DETENT SPRING	4	XX655
37	3/8" TORLON BALL	4	VB375TO
38	LEG RETAINER	2	XX475
39	LEG RETAINER PIN	2	XX476
40	1/4-20 X 1 SOCKET HEAD SCREW	4	VT25-20SH1.0
41	RIGHT LEG	1	XX470R
42	REAR SPIKE	2	X482
43	O-RING-227	2	VO-227
44	SLIDER	1	XX660
45	VALVE PLUG	1	XX590
46	3/8-24 X 1-3/4 SOCKET HEAD SCREW	1	VT37-24SH175
47	PLUG SUPPORT	1	XX594
48	LOCKING SLEEVE	1	XX571
49	O-RING-241	1	VO-241
50	WAVE SPRING WASHER	2	VW740X550-16
51	5/16-18 X 1/4 SOCKET SET SCREW	2	VT31-18SS250
52	EXIT 2.5"	1	XX310*
53	O-RING-146	1	VO-146
54	STREAM STRAIGHTENER INSERT	1	XXL406
55	SLOW CLOSE DISC	1	XX646
A	BLITZFIRE OUTLET	1	SEE SECTION 10.3
B	HIGH ELEVATION BLITZFIRE OUTLET	1	SEE SECTION 10.4
C	OSCILLATOR	1	SEE SECTION 10.5

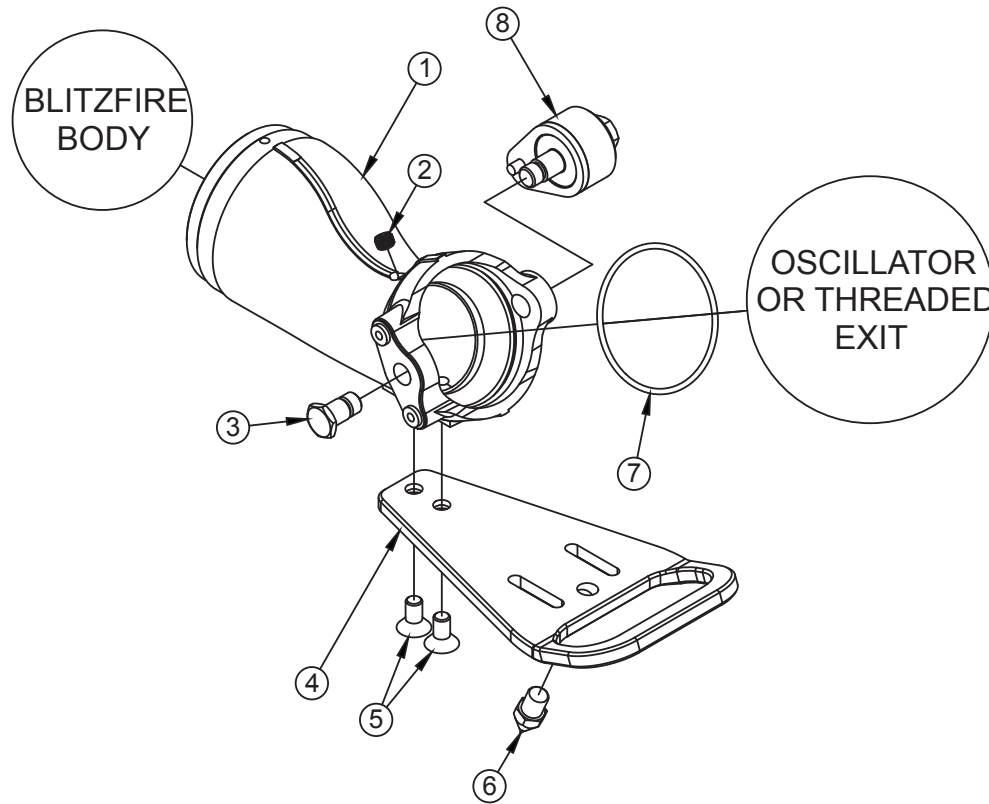
* - CONSULT FACTORY FOR SPECIAL THREADS

SAFETY MECHANISM ASSEMBLY VIEW



**NOT SHOWN: XX520 RETAINER PLATE
VP188X.38HDP SPIRAL PIN**

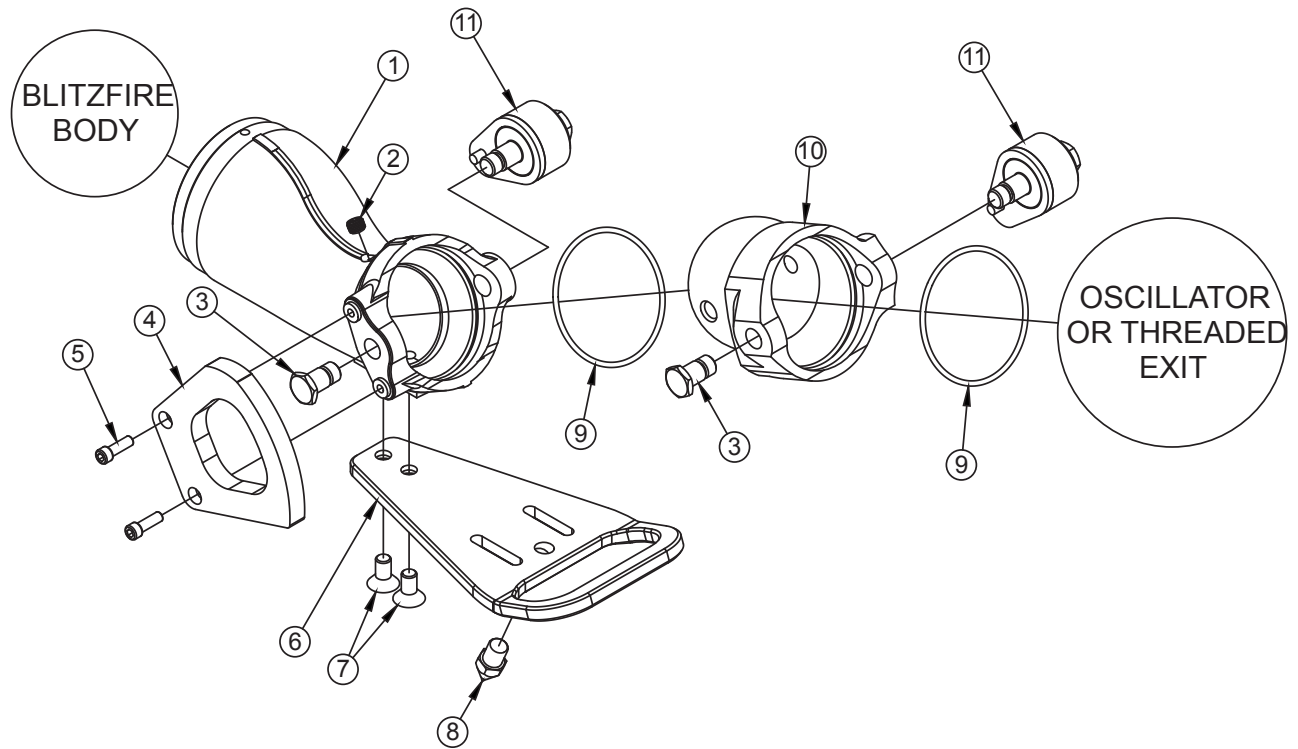
STANDARD BLITZFIRE OUTLET EXPLODED VIEW



STANDARD BLITZFIRE OUTLET PARTS LIST

INDEX	DESCRIPTION	QTY	ITEM #
1	OUTLET	1	XX420
2	1/8 NPT PLUG	1	VFSP1M SS
3	SWIVEL TRUNNION	3	XX320
4	FRONT LEG	1	XX460
5	3/8-16 X 1/2 FLAT HEAD SOCKET SCREW	2	VT37-16FH750
6	SPIKE	1	X480
7	O-RING-235	1	VO-235
8	RATCHET CLUTCH	1	XX830-KIT

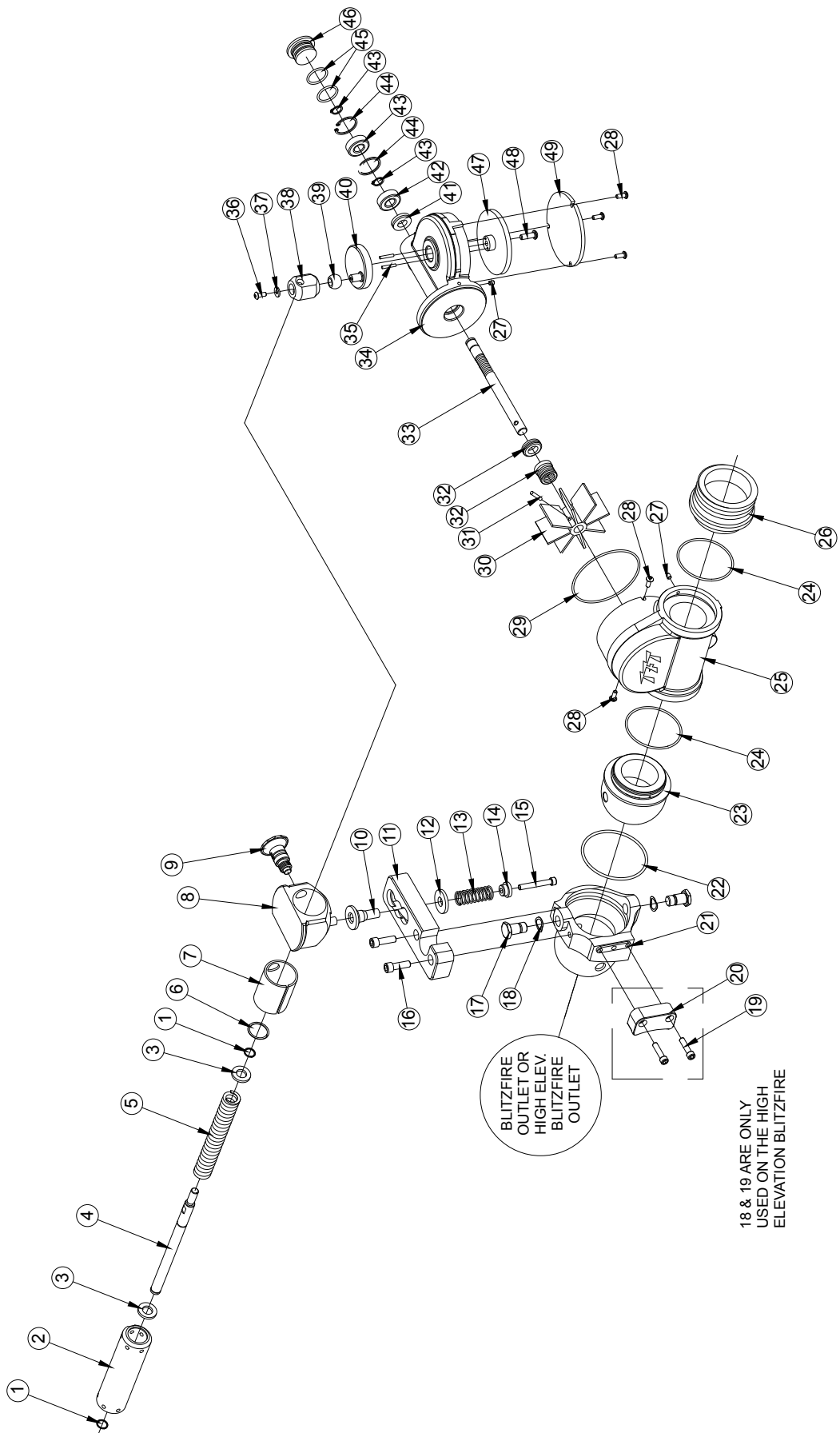
HIGH ELEVATION BLITZFIRE OUTLET EXPLODED VIEW



HIGH ELEVATION BLITZFIRE OUTLET PARTS LIST

INDEX	DESCRIPTION	QTY	ITEM #
1	OUTLET	1	XX420
2	1/8 NPT PLUG	1	VFSP1M SS
3	SWIVEL TRUNNION	4	XX320
4	CAM	1	XX322
5	1/4-20 X 1 SOCKET HEAD SCREW	4	VT25-20SH1.0
6	FRONT LEG	1	XX460
7	3/8-16 X 1/2 FLAT HEAD SOCKET SCREW	2	VT37-16FH750
8	SPIKE	1	X480
9	O-RING-235	3	VO-235
10	1ST SEGMENT	1	XX306
11	RATCHET CLUTCH	2	XX830-KIT

OSCILLATOR EXPLODED VIEW



OSCILLATOR PARTS LIST

INDEX	DESCRIPTION	QTY	ITEM #
1	SMALLEY RING	2	V4280
2	SPRING TUBE	1	XX367
3	WASHER	2	XX364
4	LINK	1	XX363
5	SPRING	1	XX371
6	SMALLEY RING	1	VR4340
7	SPRING TUBE BUSHING	1	XX382
8	SLIDER BLOCK	1	XX368
9	LATCHING PULL PIN SUBASSEMBLY	1	XX935
10	DETENT BUSHING	1	XX376
11	ARM	1	XX061
12	WASHER	1	XX377
13	SPRING	1	C031
14	SPRING RETAINER	1	XX378
15	1/4-20 X 1.75 SOCKET HEAD SCREW	1	VT25-20SH1.7
16	5/16-18 X 1 SOCKET HEAD SCREW	2	VT31-18SH1.0
17	SWIVEL TRUNNION	2	XX320
18	WAVE SPRING WASHER	2	VW740X550-16
19	1/4-20 X 1 SOCKET HEAD SCREW	2	VT25-20SH1.0
20	CAM FOLLOWER	1	XX323
21	2ND SEGMENT	1	XX307
	EXIT SEGMENT		XX305
22	O-RING-235	1	VO-235
23	INLET BALL	1	XX015
24	O-RING-147	2	VO-147
25	WATERWAY	1	XX010
26	EXIT OSC 2.5"	1	XX020*
27	10-32 X 1/4 SOCKET SET SCREW	3	VT10-32SS250
28	10-32 X 1/2 BUTTON HEAD SCREW	5	VT10E32BH500
29	O-RING-153	1	VO-153
30	TURBINE VANES	1	XX025
31	5/32 X 7/8 HDP SPIROL PIN	1	V1900
32	TURBINE SEAL	1	XX032
33	WORM AND SHAFT	1	XX030
34	GEAR BOX	1	XX005
35	1/8 X 3/4 HDP SPIROL PIN	2	VP125X750H
36	10-32 X 1/2 BHCS - NYLOK PATCH	1	VT10Y32BH500
37	WASHER	1	VW500X203-60
38	OFFSET ROD END	1	XX057
39	SPHERICAL BUSHING	1	XX058
40	CRANK	1	XX362
41	CUP SEAL	1	XX033
42	WORM SHAFT BEARING	2	XX035
43	SNAP RING 1/2" EXTERNAL	2	VR4250
44	SNAP RING 1-1/8 INTERNAL	2	VR4255
45	O-RING-119	2	VO-119
46	SHAFT CAP	1	XX037
47	WORM GEAR	1	XX040
48	1/4-20 X 7/8 SOCKET HEAD SCREW	1	VT25-20SH875
49	COVER	1	XX045
* - CONSULT FACTORY FOR SPECIAL THREADS			